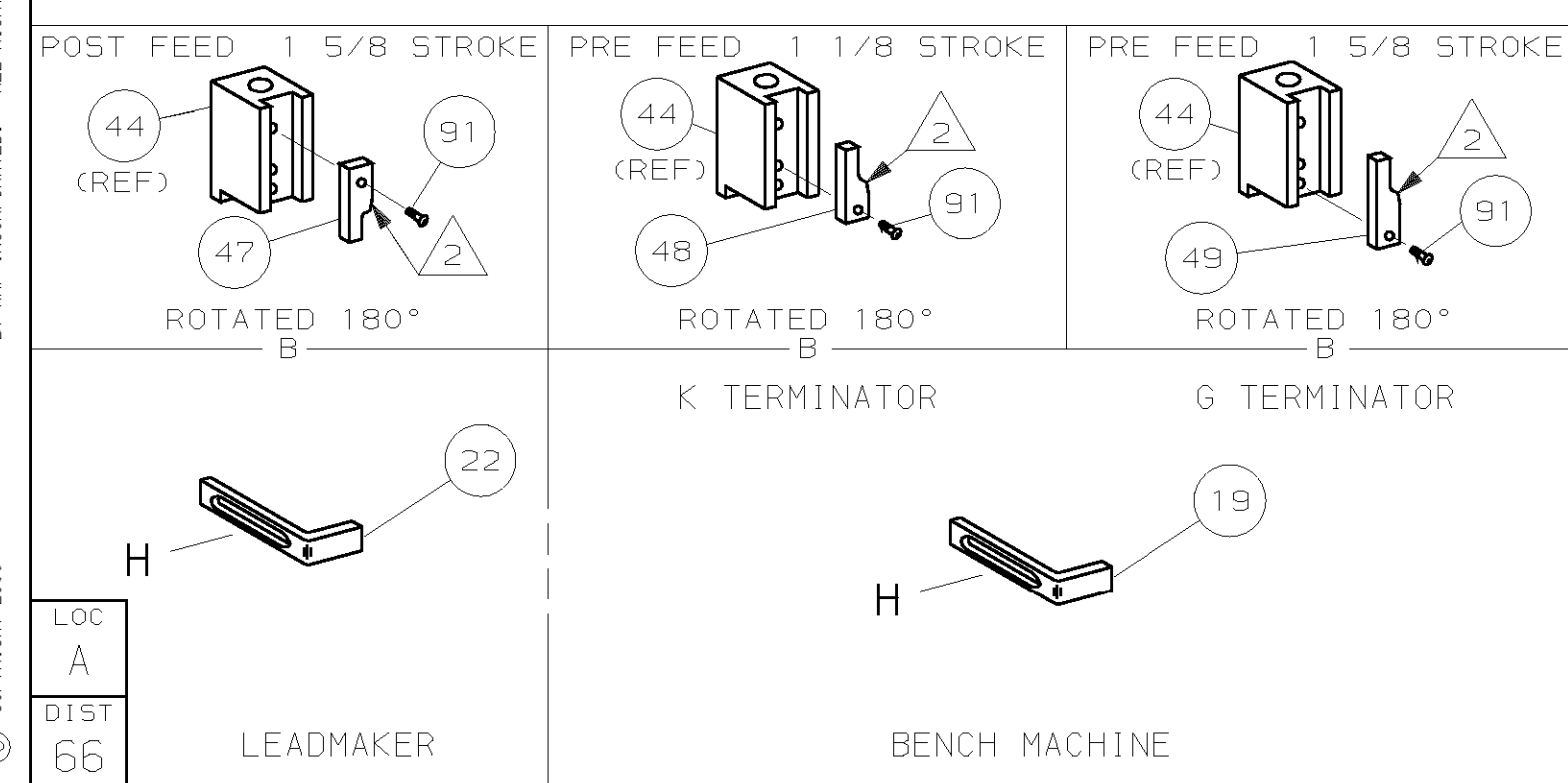
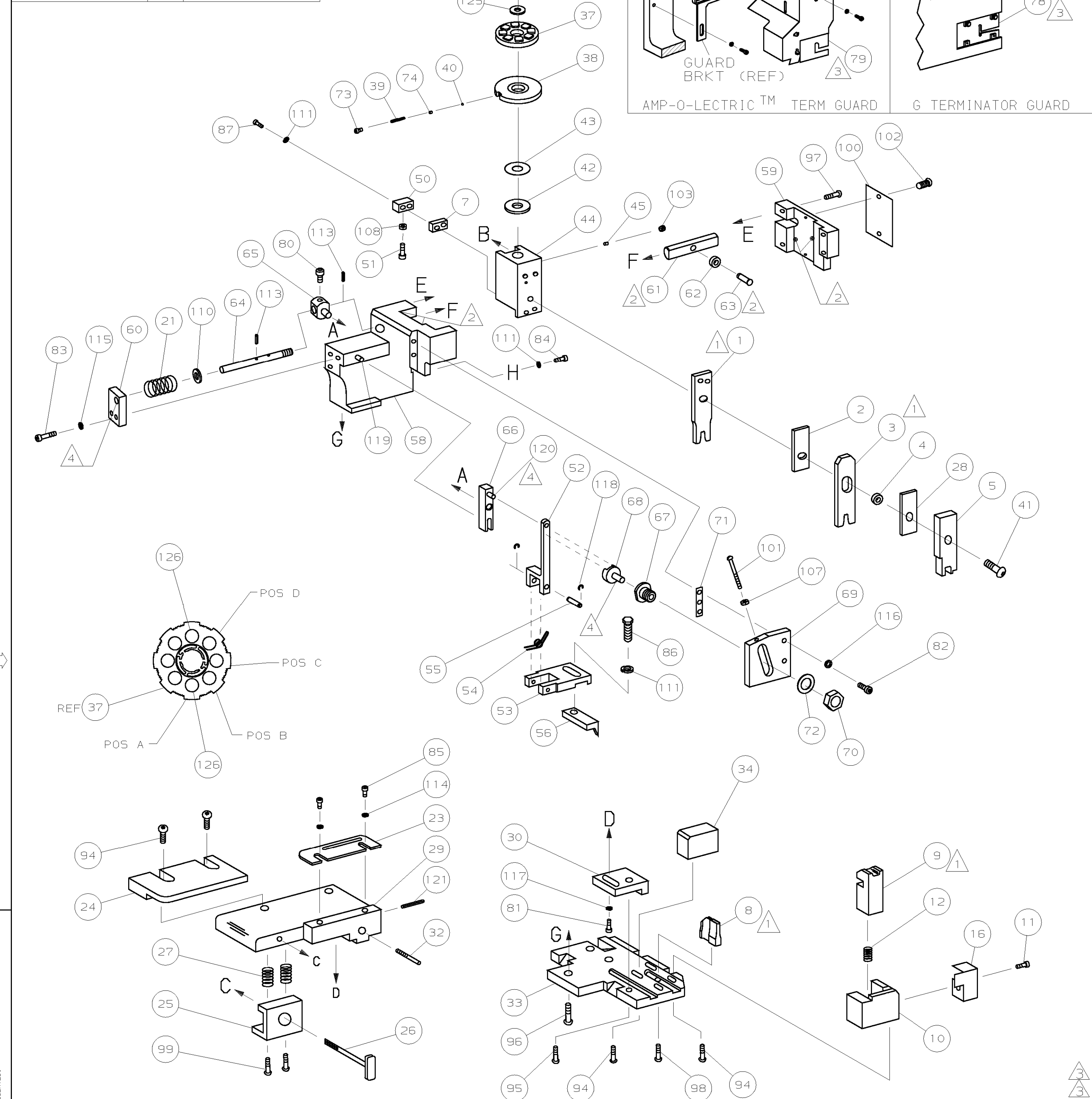


| PART NUMBER | REV | FIRST USED |
|-------------|-----|------------|
| 1385221-1 | A | 122500-1 |
| 1385221-2 | A | 565435-5 |
| 1385221-3 | A | 354500-1 |



- 1 RECOMMENDED SPARE PARTS.
- 2 GREASE LIGHTLY.
- 3 GUARD MUST BE IN PLACE WHEN OPERATING APPLICATOR IN A BENCH MACHINE.
- 4 LUBRICATE DAILY USING NO. 20 MACHINE OIL.
- 5. ITEMS WITH QTY OF REF SPECIFIED (EXCEPT ITEMS 78 AND 79) ARE USED ON ITEM 46.

| TERMINAL NAME: TERMINAL, RECEPTACLE | | | |
|-------------------------------------|---------------------------|--------------|------------------|
| AMP PN | MFR PN | JAE TERMINAL | CUST CRIMP SPECS |
| 286917 | MX5-B-SG-C2-5000 | | |
| 286921 | MX5-SG-PC2 | | |
| PAD LTR | CRIMP HEIGHT | WIRE SIZE | |
| A | .043 ±.002 [1.09 ±0.05mm] | 20 | |
| B | NOT | USED | |
| C | NOT | USED | |
| D | NOT | USED | |
| CRIMP | SIZE | TYPE | RANGE |
| WIRE | .070 [1.78mm] | F | 20 |
| INSUL | .070 [1.78mm] | F | .072 |
| WIRE STRIP LENGTH | TERM APPL SPEC | FEED | APPL INSTRUCTION |
| .138-.142 | NONE | .354 | 408-8040 |
| | | | SET UP GAGE |
| | | | 458637-1 |
| | | | LAYOUT |
| | | | L2490 |

| QTY | RECD | PER | ASSY | PARTS LIST | DESCRIPTION | ITEM NO | |
|-----|------|-----|------|------------|-------------|----------------------------------|-----|
| | | | | | | 129 | |
| | | | | | | 128 | |
| | | | | | | 127 | |
| 2 | 2 | 2 | - | C | 3-354779-6 | PIN, WIRE DISC (.3170)A | 126 |
| 1 | 1 | 1 | - | A | 986950-1 | WASHER, FLAT PRECISION | 125 |
| 1 | 1 | 1 | - | A | 217238-1 | GENERAL INSTRUCTION PACKAGE | 124 |
| 1 | 1 | 1 | - | - | 4088040 | SF APPL INST 408-8040 | 123 |
| | | | | | | 122 | |
| 1 | 1 | 1 | - | A | 4-21028-0 | PIN,SLT SPR(ø.093x.75)ST GDE PL | 121 |
| REF | REF | REF | - | A | 1-21030-1 | PIN,DOWEL (ø.187x.50)LEVER | 120 |
| REF | REF | REF | - | A | 1-21030-6 | PIN,DOWEL (ø.187x1.25)HOUSING | 119 |
| REF | REF | REF | - | A | 21045-3 | RING,RET "C"(ø.187)FD FING PIN | 118 |
| 1 | 1 | 1 | - | A | 21024-5 | WASHER, LOCK (#10)ADJ BLK | 117 |
| REF | REF | REF | - | A | 21024-5 | WASHER,LOCK (#10)ADJ PLATE | 116 |
| REF | REF | REF | - | A | 21024-5 | WASHER,LOCK (#10)FEED GDE ROD | 115 |
| 2 | 2 | 2 | - | A | 21024-2 | WASHER,LOCK (#4)FRONT STP GUIDE | 114 |
| REF | REF | REF | - | A | 5-21028-1 | PIN,SLT SPR(ø.125x.50)ADJ ROD | 113 |
| | | | | | | 112 | |
| 4 | 4 | 4 | - | A | 21024-4 | WASHER,LOCK (#8)STRIPPER | 111 |
| REF | REF | REF | - | A | 21899-4 | WASHER,FLAT (ø5/16)SCREW ADJ | 110 |
| | | | | | | 109 | |
| 1 | 1 | 1 | - | A | 21018-5 | NUT, HEX (NO. 6)HOLDDOWN | 108 |
| REF | REF | REF | - | A | 21068-5 | NUT, HEX (6-32)FEED ADJ | 107 |
| | | | | | | 106 | |
| | | | | | | 105 | |
| | | | | | | 104 | |
| 1 | 1 | 1 | - | A | 21009-2 | SCR,5KT SET(1/4-20x.25 LW)RAM | 103 |
| 2 | 2 | 2 | - | A | 21017-2 | SCR,DRIVE (#2x.19)ID PLATE | 102 |
| REF | REF | REF | - | A | 6-23715-5 | SCR,PAN HD (6-32x1.50)FEED ADJ | 101 |
| 1 | 1 | 1 | - | B | 461264-1 | PLATE, IDENTIFICATION | 100 |
| 2 | 2 | 2 | - | A | 3-21002-0 | SCR,BHC (10-32x.88)DRAG | 99 |
| 1 | 1 | 1 | - | A | 22733-8 | SCR,BHC (8-32x.38 LW)ANVIL | 98 |
| REF | REF | REF | - | A | 2-21002-9 | SCR,BHC (10-32x.75)CAP | 97 |
| REF | REF | REF | - | A | 2-22733-8 | SCR,BHC (1/4-20x.62)HOUSING | 96 |
| REF | REF | REF | - | A | 2-21002-7 | SCR,BHC (10-32x.50)5G ADJ BLOCK | 95 |
| 4 | 4 | 4 | - | A | 2-21002-2 | SCR,BHC (8-32x.50)TERM H DWN | 94 |
| | | | | | | 93 | |
| | | | | | | 92 | |
| 1 | 1 | 1 | - | A | 1-21002-7 | SCR,BHC (6-32x.38)CAM | 91 |
| | | | | | | 90 | |
| | | | | | | 89 | |
| | | | | | | 88 | |
| 2 | 2 | 2 | - | A | 2-21000-8 | SCR,SHC (8-32x.62)DEP-HOLD | 87 |
| 1 | 1 | 1 | - | A | 2-22603-0 | SCR,HEX HD (8-32x.31)FEED FINGER | 86 |
| 2 | 2 | 2 | - | A | 1-21000-3 | SCR,SHC (4-40x.25)F ST GUIDE | 85 |
| 1 | 1 | 1 | - | A | 2-21000-7 | SCR,SHC (8-32x.50)STRIPPER | 84 |
| REF | REF | REF | - | A | 3-21000-7 | SCR,SHC (10-32x.75)FEED ROD GD | 83 |
| REF | REF | REF | - | A | 3-21000-6 | SCR,SHC (10-32x.62)FD ADJ BLK | 82 |
| 1 | 1 | 1 | - | A | 3-21000-4 | SCR,SHC (10-32x.38)5G ADJ BL | 81 |
| REF | REF | REF | - | A | 3-21000-4 | SCR,SHC (10-32x.38)PIVOT BLK | 80 |
| - | REF | - | - | B | 455749-1 | GUARD, WINDOW | 79 |
| REF | - | - | - | B | 679532-1 | INSERT, GUARD | 78 |
| | | | | | | 77 | |
| | | | | | | 76 | |
| | | | | | | 75 | |
| 1 | 1 | 1 | - | A | 690603-1 | SPRING, ASSIST | 74 |
| 1 | 1 | 1 | - | A | 23030-1 | SCR,SHC (6-32x.25 SL)INS DISC | 73 |
| REF | REF | REF | - | A | 458109-1 | WASHER, SPECIAL | 72 |
| REF | REF | REF | - | A | 690517-1 | SPACER | 71 |
| | | | | | | 70 | |
| | | | | | | 69 | |
| | | | | | | 68 | |
| | | | | | | 67 | |
| | | | | | | 66 | |
| | | | | | | 65 | |
| | | | | | | 64 | |
| | | | | | | 63 | |
| | | | | | | 62 | |
| | | | | | | 61 | |
| | | | | | | 60 | |
| | | | | | | 59 | |
| | | | | | | 58 | |
| | | | | | | 57 | |
| | | | | | | 56 | |
| | | | | | | 55 | |
| | | | | | | 54 | |
| | | | | | | 53 | |
| | | | | | | 52 | |
| | | | | | | 51 | |
| | | | | | | 50 | |
| | | | | | | 49 | |
| | | | | | | 48 | |
| | | | | | | 47 | |
| | | | | | | 46 | |
| | | | | | | 45 | |
| | | | | | | 44 | |
| | | | | | | 43 | |
| | | | | | | 42 | |
| | | | | | | 41 | |
| | | | | | | 40 | |
| | | | | | | 39 | |
| | | | | | | 38 | |
| | | | | | | 37 | |
| | | | | | | 36 | |
| | | | | | | 35 | |
| | | | | | | 34 | |
| REF | REF | REF | - | D | 455675-1 | PLATE, BASE | 33 |
| 1 | 1 | 1 | - | A | 690432-3 | SCREW, ADJUSTMENT | 32 |
| | | | | | | 31 | |
| REF | REF | REF | - | B | 455689-1 | BLOCK, STRIP GUIDE ADJ | 30 |
| 1 | 1 | 1 | - | C | 455671-1 | PLATE, STRIP GUIDE | 29 |
| 1 | 1 | 1 | - | C | 1-455888-0 | SPACER, FRONT SHEAR DEP | 28 |
| 2 | 2 | 2 | - | A | 1-22284-0 | SPRING, DRAG | 27 |
| 1 | 1 | 1 | - | B | 690546-1 | LEVER, DRAG RELEASE | 26 |
| 1 | 1 | 1 | - | B | 240792-1 | DRAG, TERMINAL | 25 |
| 1 | 1 | 1 | - | D | 6-690504-1 | GUIDE, STRIP (REAR) | 24 |
| 1 | 1 | 1 | - | A | 690438-1 | GUIDE, STRIP (FRONT) | 23 |
| - | - | 1 | - | B | 690472-2 | STRIPPER | 22 |
| REF | REF | REF | - | A | 4-22284-9 | SPRING, FEED RETURN | 21 |
| | | | | | | 20 | |
| 1 | 1 | - | - | B | 1338981-1 | STRIPPER | 19 |
| | | | | | | 18 | |
| | | | | | | 17 | |
| 1 | 1 | 1 | - | B | 318563-1 | GUARD, CHIP, FRONT | 16 |
| | | | | | | 15 | |
| | | | | | | 14 | |
| | | | | | | 13 | |
| 1 | 1 | 1 | - | A | 5-22280-0 | SPRING, SHEAR | 12 |
| 1 | 1 | 1 | - | B | 690461-1 | STOP, SHEAR | 11 |
| 1 | 1 | 1 | - | C | 690459-1 | HOLDER, SHEAR (FRONT) | 10 |
| 1 | 1 | 1 | - | C | 462006-1 | SHEAR, FLOAT (FRONT) | 9 |
| 1 | 1 | 1 | - | C | 1338496-3 | ANVIL | 8 |
| 1 | 1 | 1 | - | C | 2-240641-4 | SPACER, DEPRESSOR (REAR) | 7 |
| | | | | | | 6 | |
| 1 | 1 | 1 | - | C | 1-455889-3 | DEPRESSOR, SHEAR (FRONT) | 5 |
| 1 | 1 | 1 | - | B | 238011-6 | SPACER, BLOCK CRIMPER | 4 |
| 1 | 1 | 1 | - | C | 3-683453-3 | CRIMPER, INSULATION | 3 |
| 1 | 1 | 1 | - | C | 455888-6 | SPACER, CRIMPER | 2 |
| 1 | 1 | 1 | - | C | 1-456404-6 | CRIMPER, WIRE | 1 |

| QTY | RECD | PER | ASSY | PARTS LIST | DESCRIPTION | ITEM NO | |
|-----|------|-----|------|------------|-------------|----------------------------------|-----|
| | | | | | | 129 | |
| | | | | | | 128 | |
| | | | | | | 127 | |
| 2 | 2 | 2 | - | C | 3-354779-6 | PIN, WIRE DISC (.3170)A | 126 |
| 1 | 1 | 1 | - | A | 986950-1 | WASHER, FLAT PRECISION | 125 |
| 1 | 1 | 1 | - | A | 217238-1 | GENERAL INSTRUCTION PACKAGE | 124 |
| 1 | 1 | 1 | - | - | 4088040 | SF APPL INST 408-8040 | 123 |
| | | | | | | 122 | |
| 1 | 1 | 1 | - | A | 4-21028-0 | PIN,SLT SPR(ø.093x.75)ST GDE PL | 121 |
| REF | REF | REF | - | A | 1-21030-1 | PIN,DOWEL (ø.187x.50)LEVER | 120 |
| REF | REF | REF | - | A | 1-21030-6 | PIN,DOWEL (ø.187x1.25)HOUSING | 119 |
| REF | REF | REF | - | A | 21045-3 | RING,RET "C"(ø.187)FD FING PIN | 118 |
| 1 | 1 | 1 | - | A | 21024-5 | WASHER, LOCK (#10)ADJ BLK | 117 |
| REF | REF | REF | - | A | 21024-5 | WASHER,LOCK (#10)ADJ PLATE | 116 |
| REF | REF | REF | - | A | 21024-5 | WASHER,LOCK (#10)FEED GDE ROD | 115 |
| 2 | 2 | 2 | - | A | 21024-2 | WASHER,LOCK (#4)FRONT STP GUIDE | 114 |
| REF | REF | REF | - | A | 5-21028-1 | PIN,SLT SPR(ø.125x.50)ADJ ROD | 113 |
| | | | | | | 112 | |
| 4 | 4 | 4 | - | A | 21024-4 | WASHER,LOCK (#8)STRIPPER | 111 |
| REF | REF | REF | - | A | 21899-4 | WASHER,FLAT (ø5/16)SCREW ADJ | 110 |
| | | | | | | 109 | |
| 1 | 1 | 1 | - | A | 21018-5 | NUT, HEX (NO. 6)HOLDDOWN | 108 |
| REF | REF | REF | - | A | 21068-5 | NUT, HEX (6-32)FEED ADJ | 107 |
| | | | | | | 106 | |
| | | | | | | 105 | |
| | | | | | | 104 | |
| 1 | 1 | 1 | - | A | 21009-2 | SCR,5KT SET(1/4-20x.25 LW)RAM | 103 |
| 2 | 2 | 2 | - | A | 21017-2 | SCR,DRIVE (#2x.19)ID PLATE | 102 |
| REF | REF | REF | - | A | 6-23715-5 | SCR,PAN HD (6-32x1.50)FEED ADJ | 101 |
| 1 | 1 | 1 | - | B | 461264-1 | PLATE, IDENTIFICATION | 100 |
| 2 | 2 | 2 | - | A | 3-21002-0 | SCR,BHC (10-32x.88)DRAG | 99 |
| 1 | 1 | 1 | - | A | 22733-8 | SCR,BHC (8-32x.38 LW)ANVIL | 98 |
| REF | REF | REF | - | A | 2-21002-9 | SCR,BHC (10-32x.75)CAP | 97 |
| REF | REF | REF | - | A | 2-22733-8 | SCR,BHC (1/4-20x.62)HOUSING | 96 |
| REF | REF | REF | - | A | 2-21002-7 | SCR,BHC (10-32x.50)5G ADJ BLOCK | 95 |
| 4 | 4 | 4 | - | A | 2-21002-2 | SCR,BHC (8-32x.50)TERM H DWN | 94 |
| | | | | | | 93 | |
| | | | | | | 92 | |
| 1 | 1 | 1 | - | A | 1-21002-7 | SCR,BHC (6-32x.38)CAM | 91 |
| | | | | | | 90 | |
| | | | | | | 89 | |
| | | | | | | 88 | |
| 2 | 2 | 2 | - | A | 2-21000-8 | SCR,SHC (8-32x.62)DEP-HOLD | 87 |
| 1 | 1 | 1 | - | A | 2-22603-0 | SCR,HEX HD (8-32x.31)FEED FINGER | 86 |
| 2 | 2 | 2 | - | A | 1-21000-3 | SCR,SHC (4-40x.25)F ST GUIDE | 85 |
| 1 | 1 | 1 | - | A | 2-21000-7 | SCR,SHC (8-32x.50)STRIPPER | 84 |
| REF | REF | REF | - | A | 3-21000-7 | SCR,SHC (10-32x.75)FEED ROD GD | 83 |
| REF | REF | REF | - | A | 3-21000-6 | SCR,SHC (10-32x.62)FD ADJ BLK | 82 |
| 1 | 1 | | | | | | |



ООО «НИОКРсистемс» - это оперативные поставки широкого спектра электронных компонентов отечественного и импортного производства напрямую от производителей и с крупнейших мировых складов. Реализуемая нашей компанией продукция насчитывает более полумиллиона наименований.

Благодаря этому наша компания предлагает к поставке практически не ограниченный ассортимент компонентов как оптовыми, мелкооптовыми партиями, так и в розницу.

Благодаря развитой сети поставщиков, помогаем в поиске и приобретении экзотичных или снятых с производства компонентов.

Наша компания это:

- Гарантия качества поставляемой продукции
- Широкий ассортимент
- Минимальные сроки поставок
- Техническая поддержка
- Подбор комплектации
- Индивидуальный подход
- Гибкое ценообразование
- Работаем по 275 ФЗ