

Low Phase Noise CMOS XO (96MHz to 200MHz)

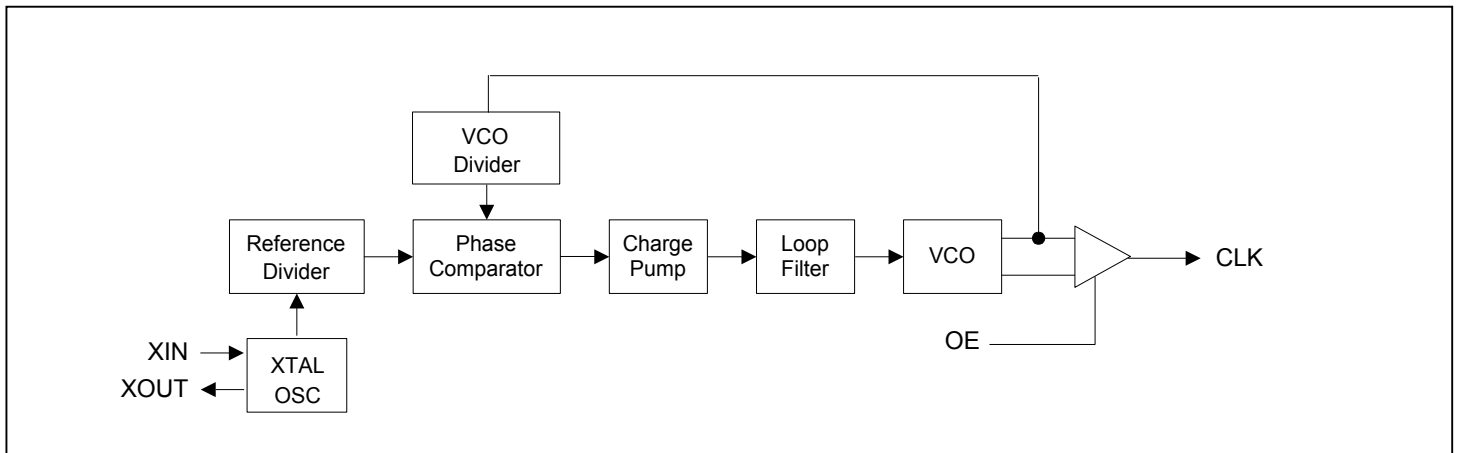
FEATURES

- Low phase noise XO for the 96MHz to 200MHz range (-125 dBc at 10kHz offset).
- 12 to 25MHz crystal input.
- Integrated crystal load capacitor: no external load capacitor required.
- Low jitter (RMS): 4ps period jitter (1 sigma).
- Selectable High Drive (30mA) or Standard Drive (10mA) output.
- 3.3V operation.
- Available in 8-Pin TSSOP or SOIC.

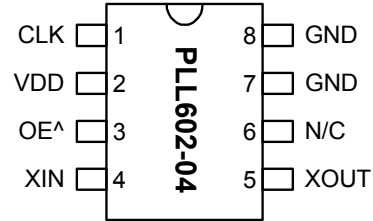
DESCRIPTION

The PLL602-04 is a low cost, high performance and low phase noise XO, providing less than -125 dBc at 10kHz offset in the 96MHz to 200MHz operating range. The very low jitter (4ps RMS period jitter) makes this chip ideal for 155.52MHz SONET and SDH applications, and for 125MHz and 106.25MHz applications. Input crystal can range from 12 to 25MHz (fundamental resonant mode).

BLOCK DIAGRAM



PIN CONFIGURATION



Note: ^ denotes internal pull up

OUTPUT RANGE

MULTIPLIER	FREQUENCY RANGE	OUTPUT BUFFER
x8	96 - 200MHz	CMOS

Low Phase Noise CMOS XO (96MHz to 200MHz)

PIN DESCRIPTIONS

Name	Number	Type	Description
CLK	1	O	Output clock.
VDD	2	P	+3.3V power supply.
OE	3	I	Output enable input. Disables (tri-state) output when low. Internal pull-up enables output by default if pin is not connected to low.
XIN	4	I	Crystal input. See Crystal Specifications on page 3.
XOUT	5	I	Crystal output. See Crystal Specifications on page 3.
N/C	6	-	Not connected.
GND	7, 8	P	Ground.

ELECTRICAL SPECIFICATIONS

1. Absolute Maximum Ratings

PARAMETERS	SYMBOL	MIN.	MAX.	UNITS
Supply Voltage	V_{DD}		4.6	V
Input Voltage, dc	V_i	-0.5	$V_{DD}+0.5$	V
Output Voltage, dc	V_o	-0.5	$V_{DD}+0.5$	V
Storage Temperature	T_s	-65	150	°C
Ambient Operating Temperature*	T_A	-40	85	°C
Junction Temperature	T_J		125	°C
Lead Temperature (soldering, 10s)			260	°C
ESD Protection, Human Body Model			2	kV

Exposure of the device under conditions beyond the limits specified by Maximum Ratings for extended periods may cause permanent damage to the device and affect product reliability. These conditions represent a stress rating only, and functional operations of the device at these or any other conditions above the operational limits noted in this specification is not implied.

* Note: Operating Temperature is guaranteed by design for all parts (COMMERCIAL and INDUSTRIAL), but tested for COMMERCIAL grade only.

2. DC Electrical Specifications

PARAMETERS	SYMBOL	CONDITIONS	MIN.	TYP.	MAX.	UNITS
Supply Current, Dynamic, with Loaded Outputs	I_{DD}	$F_{XIN} = 12 - 25\text{MHz}$ Output load of 10pF		16	20	mA
Operating Voltage	V_{DD}		2.97		3.63	V
Output drive current (High Drive)	I_{OH}	$V_{OH} = V_{DD}-0.4\text{V}, V_{DD}=3.3\text{V}$	30			mA
	I_{OL}	$V_{OL} = 0.4\text{V}, V_{DD} = 3.3\text{V}$	30			mA
Output drive current (Standard Drive)	I_{OH}	$V_{OH} = V_{DD}-0.4\text{V}, V_{DD}=3.3\text{V}$	10			mA
	I_{OL}	$V_{OL} = 0.4\text{V}, V_{DD} = 3.3\text{V}$	10			mA
Short Circuit Current				±50		mA

Low Phase Noise CMOS XO (96MHz to 200MHz)

3. AC Specification

PARAMETERS	SYMBOL	CONDITIONS	MIN.	TYP.	MAX.	UNITS
Input Crystal Frequency			12		25	MHz
Output Clock Rise/Fall Time (Standard Drive)		0.3V ~ 3.0V with 15 pF load		2.4		ns
Output Clock Rise/Fall Time (High Drive)		0.3V ~ 3.0V with 15 pF load		1.2		
Output Clock Duty Cycle		Measured @ 50% V _{DD}	45	50	55	%

4. Jitter and Phase Noise Specification

PARAMETERS	CONDITIONS	MIN.	TYP.	MAX.	UNITS
RMS Period Jitter (1 sigma – 1000 samples)	at 155MHz, with capacitive decoupling between VDD and GND.		4		ps
Phase Noise relative to carrier	155MHz @100Hz offset		-95		dBc/Hz
Phase Noise relative to carrier	155MHz @1kHz offset		-120		dBc/Hz
Phase Noise relative to carrier	155MHz @10kHz offset		-125		dBc/Hz
Phase Noise relative to carrier	155MHz @100kHz offset		-121		dBc/Hz

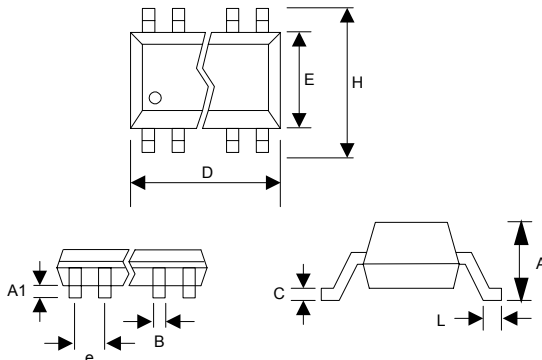
5. Crystal Specifications

PARAMETERS	SYMBOL	MIN.	TYP.	MAX.	UNITS
Crystal Resonator Frequency	F _{XIN}	12		25	MHz
Crystal Loading Capacitance Rating	C _L (xtal)		20		pF
Driving power			1		mW
ESR	R _s			30	Ω

PACKAGE INFORMATION

8 PIN (dimensions in mm)

Symbol	Narrow SOIC		TSSOP	
	Min.	Max.	Min.	Max.
A	1.47	1.73	-	1.20
A1	0.10	0.25	0.05	0.15
B	0.33	0.51	0.19	0.30
C	0.19	0.25	0.09	0.20
D	4.80	4.95	2.90	3.10
E	3.80	4.00	4.30	4.50
H	5.80	6.20	6.20	6.60
L	0.38	1.27	0.45	0.75
e	1.27 BSC		0.65 BSC	



Low Phase Noise CMOS XO (96MHz to 200MHz)

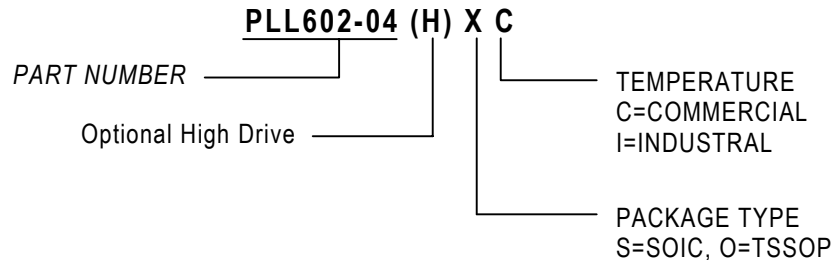
ORDERING INFORMATION

For part ordering, please contact our Sales Department:

47745 Fremont Blvd., Fremont, CA 94538, USA
Tel: (510) 492-0990 Fax: (510) 492-0991

PART NUMBER

The order number for this device is a combination of the following:
Device number, Package type and Operating temperature range



Order Number	Marking	Package Option
PLL602-04OC-R	P602-04OC	TSSOP - Tape and Reel
PLL602-04OC	P602-04OC	TSSOP – Tube
PLL602-04HOC-R	P602-04HOC	TSSOP - Tape and Reel
PLL602-04HOC	P602-04HOC	TSSOP – Tube
PLL602-04SC-R	P602-04SC	SOIC - Tape and Reel
PLL602-04SC	P602-04SC	SOIC - Tube
PLL602-04HSC-R	P602-04HSC	SOIC - Tape and Reel
PLL602-04HSC	P602-04HSC	SOIC - Tube

PhaseLink Corporation, reserves the right to make changes in its products or specifications, or both at any time without notice. The information furnished by Phaselink is believed to be accurate and reliable. However, PhaseLink makes no guarantee or warranty concerning the accuracy of said information and shall not be responsible for any loss or damage of whatever nature resulting from the use of, or reliance upon this product.

LIFE SUPPORT POLICY: PhaseLink’s products are not authorized for use as critical components in life support devices or systems without the express written approval of the President of PhaseLink Corporation.



ООО «НИОКРсистемс» - это оперативные поставки широкого спектра электронных компонентов отечественного и импортного производства напрямую от производителей и с крупнейших мировых складов. Реализуемая нашей компанией продукция насчитывает более полумиллиона наименований.

Благодаря этому наша компания предлагает к поставке практически не ограниченный ассортимент компонентов как оптовыми, мелкооптовыми партиями, так и в розницу.

Благодаря развитой сети поставщиков, помогаем в поиске и приобретении экзотичных или снятых с производства компонентов.

Наша компания это:

- Гарантия качества поставляемой продукции
- Широкий ассортимент
- Минимальные сроки поставок
- Техническая поддержка
- Подбор комплектации
- Индивидуальный подход
- Гибкое ценообразование
- Работаем по 275 ФЗ