

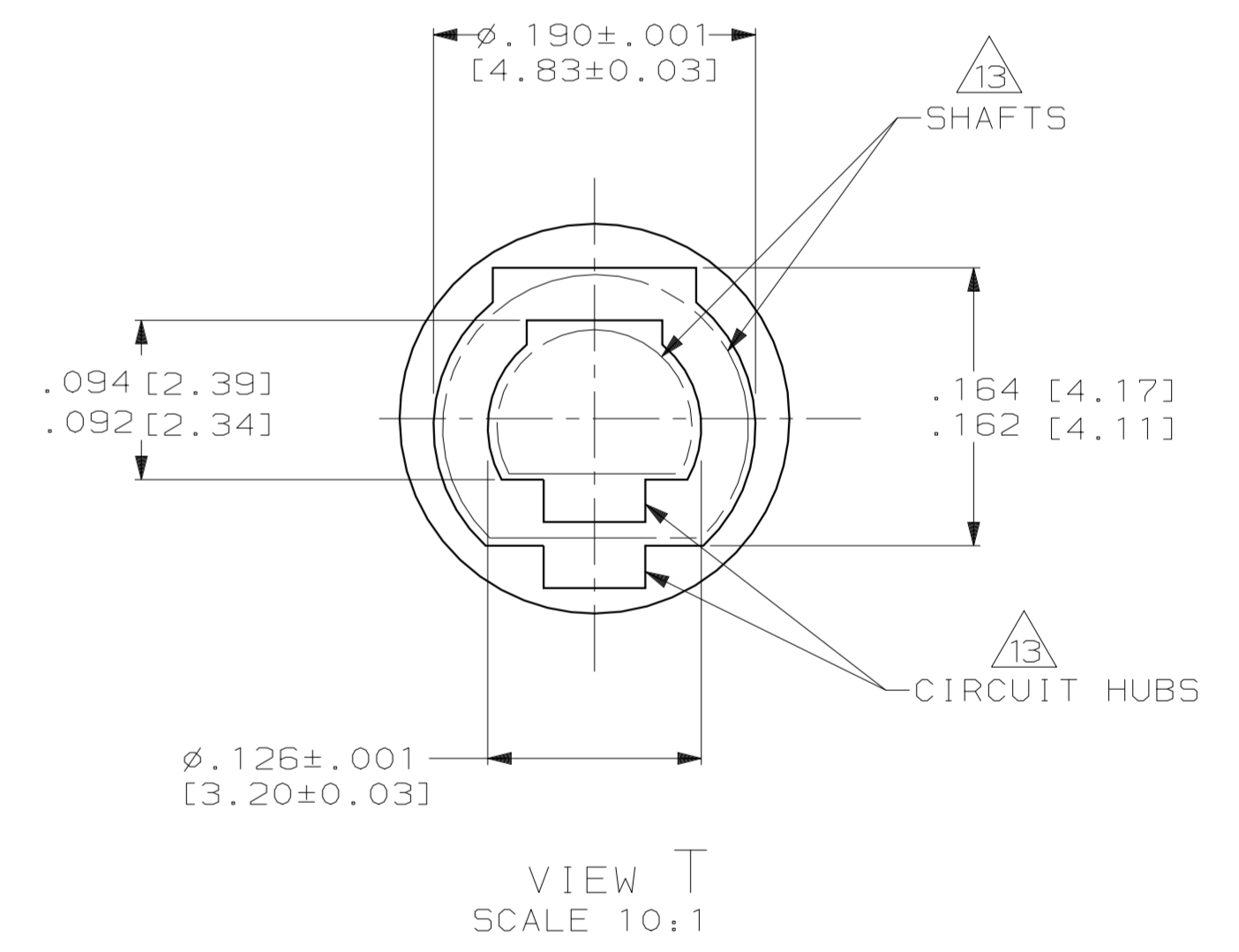
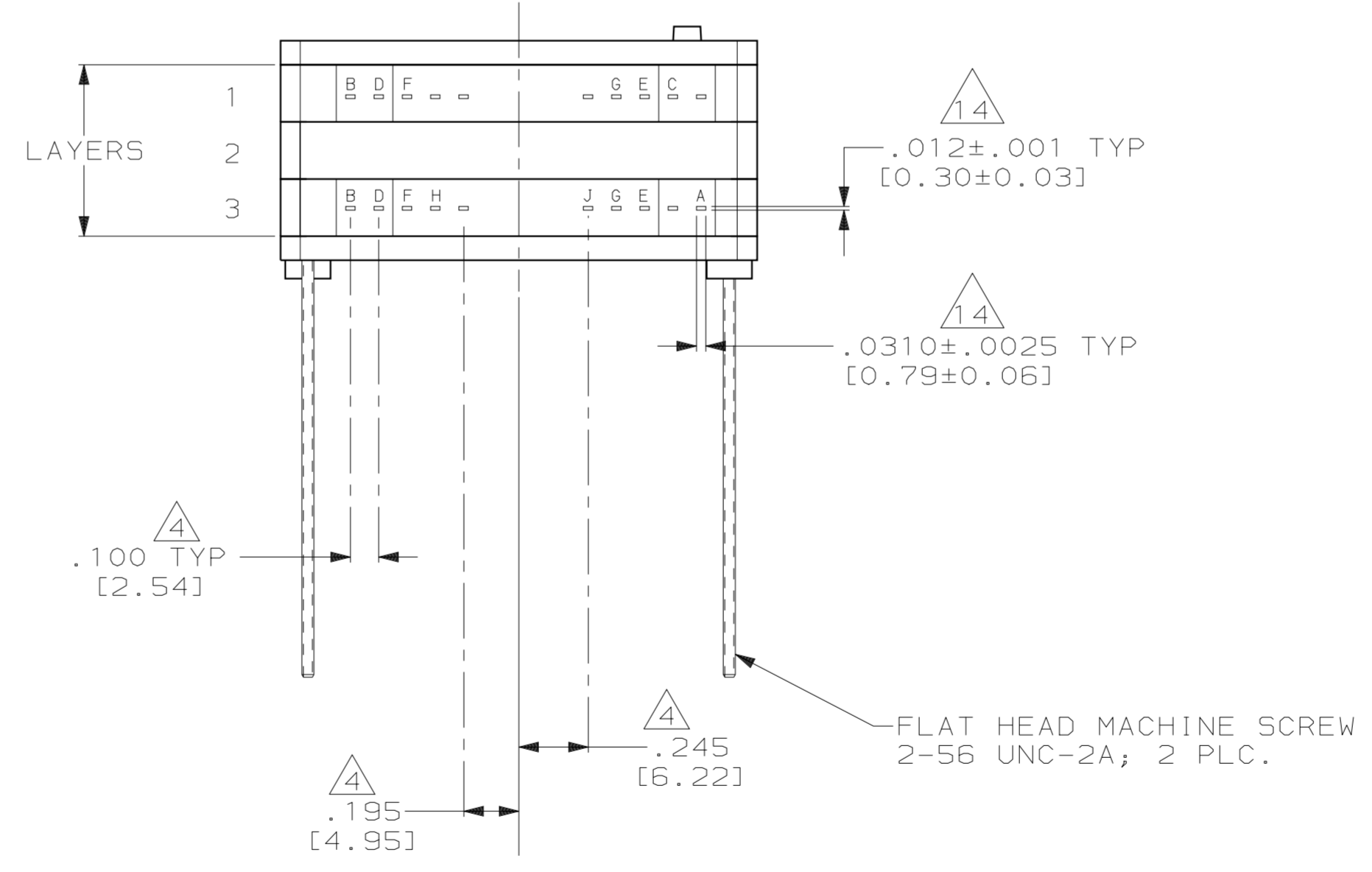
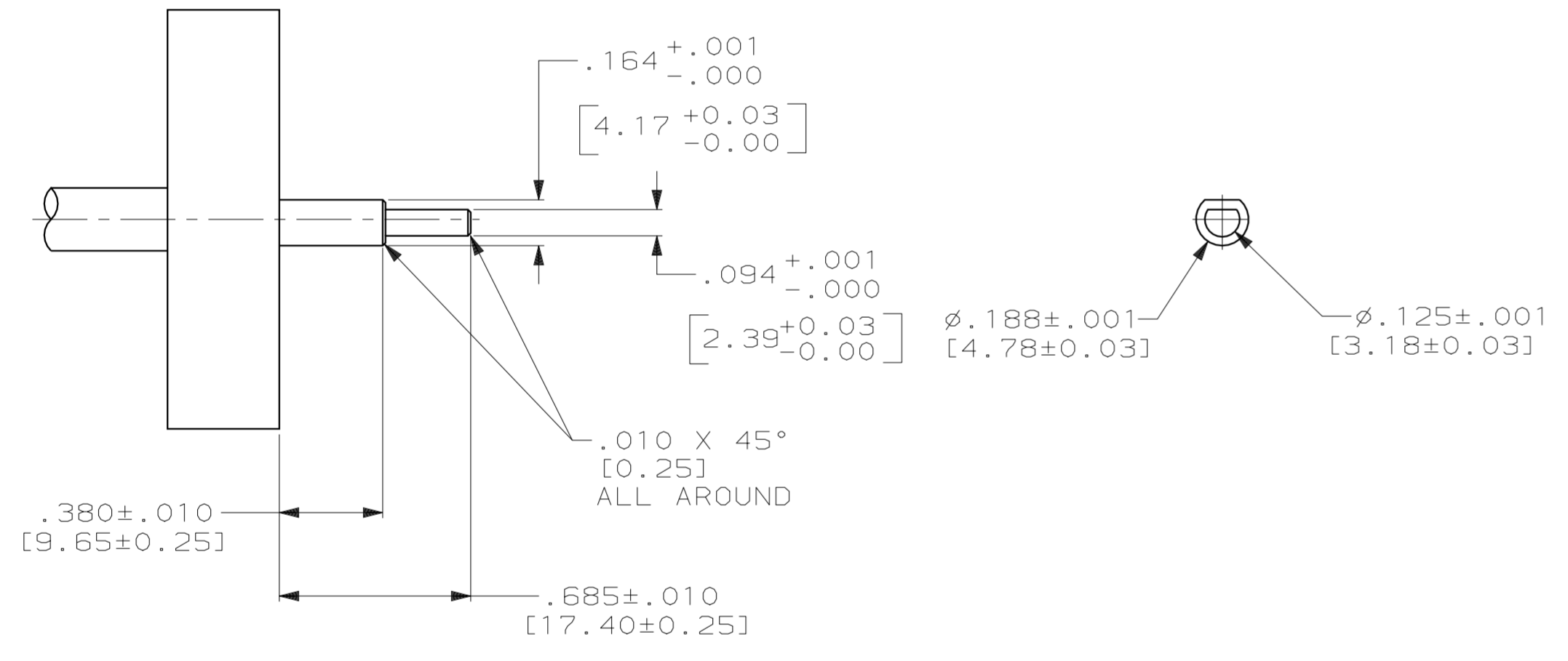
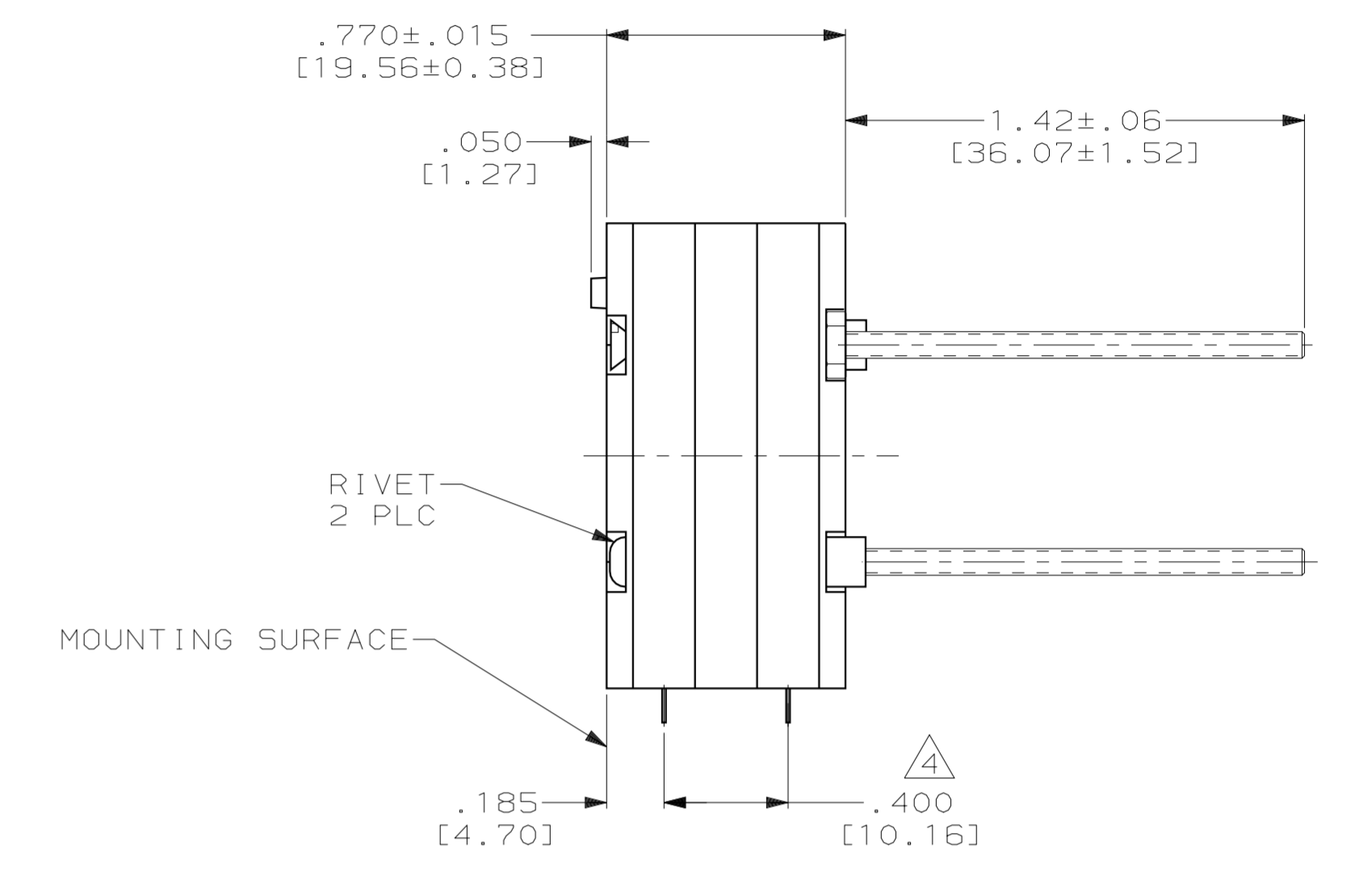
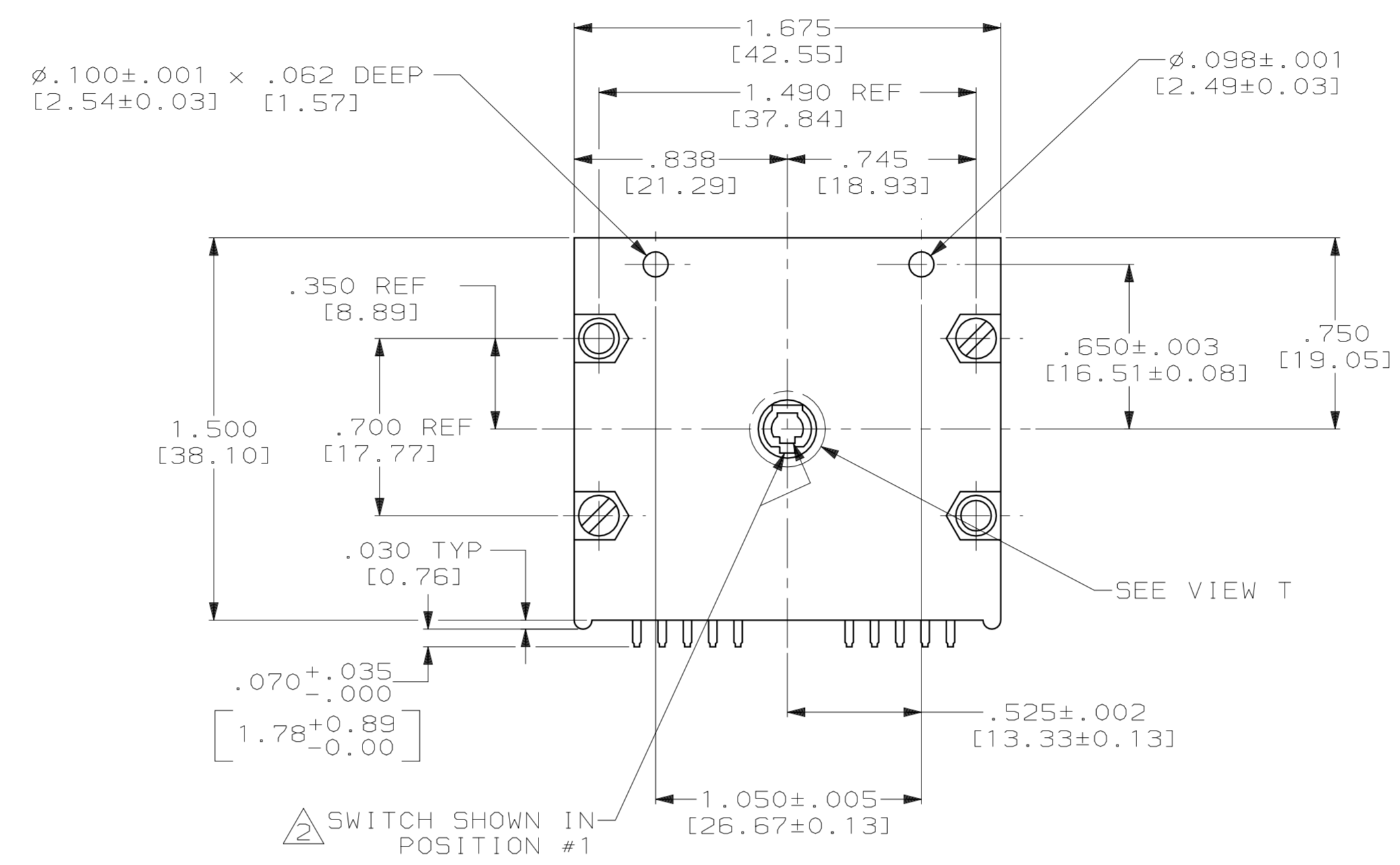
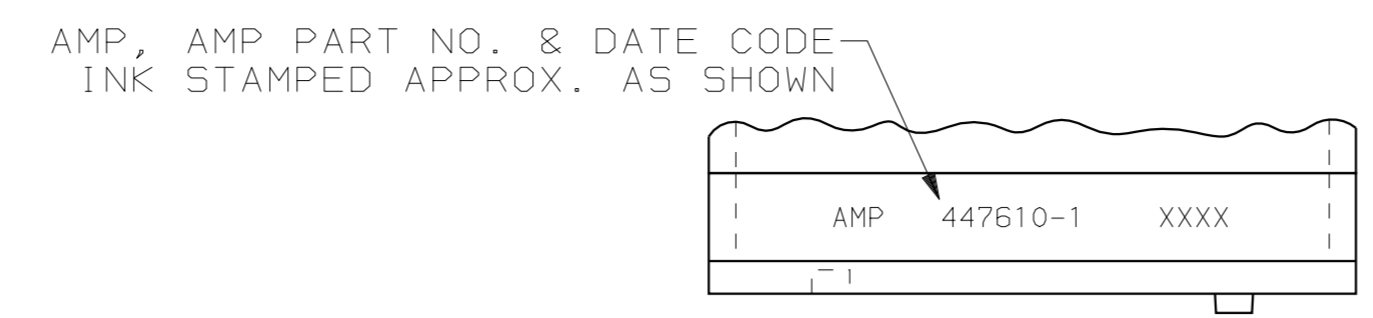
LOC	DIST	P	F	ZONE	LTR	DESCRIPTION	DATE	APPD	
DF	LO					REV PER ECO 05-10335	CT	6-06	SG

18 POSN. 20° THROW, LAYER 1
 ● = CLOSED TO RESPECTIVE COMMON

POSN.	B	C	D	E	F	G
1	●	●	●	●	●	●
2	●	●	●	●	●	●
3	●	●	●	●	●	●
4	●	●	●	●	●	●
5	●	●	●	●	●	●
6	●	●	●	●	●	●
7	●	●	●	●	●	●
8	●	●	●	●	●	●
9	●	●	●	●	●	●
10	●	●	●	●	●	●
11	●	●	●	●	●	●
12	●	●	●	●	●	●
13	●	●	●	●	●	●
14	●	●	●	●	●	●
15	●	●	●	●	●	●
16	●	●	●	●	●	●
17	●	●	●	●	●	●
18	●	●	●	●	●	●

20 POSN. 18° THROW, LAYER 3
 ● = CLOSED TO RESPECTIVE COMMON

POSN.	A	B	D	E	F	G	H	J
1	●	●	●	●	●	●	●	●
2	●	●	●	●	●	●	●	●
3	●	●	●	●	●	●	●	●
4	●	●	●	●	●	●	●	●
5	●	●	●	●	●	●	●	●
6	●	●	●	●	●	●	●	●
7	●	●	●	●	●	●	●	●
8	●	●	●	●	●	●	●	●
9	●	●	●	●	●	●	●	●
10	●	●	●	●	●	●	●	●
11	●	●	●	●	●	●	●	●
12	●	●	●	●	●	●	●	●
13	●	●	●	●	●	●	●	●
14	●	●	●	●	●	●	●	●
15	●	●	●	●	●	●	●	●
16	●	●	●	●	●	●	●	●
17	●	●	●	●	●	●	●	●
18	●	●	●	●	●	●	●	●
19	●	●	●	●	●	●	●	●
20	●	●	●	●	●	●	●	●



RECOMMENDED DRIVE MECHANISM DIMENSIONS

- SWITCH NOT TO BE DISASSEMBLED.
- SWITCH POSITIONS INCREASE WHEN ROTATED IN A CLOCKWISE DIRECTION.
- DO NOT MAKE ELECTRICAL CONNECTION TO ANY UNUSED PINS.
- THESE DIMENSIONS HAVE NON-CUMULATIVE TOLERANCES.
- THE TORQUE REQUIRED TO ROTATE EITHER #1 OR #2 PRINTED CIRCUIT BOARD IS NOT TO EXCEED 1.5 INCH-OUNCE.
- FOR ADDITIONAL SPECIFICATIONS SEE AMP PRODUCT SPEC. 108-7061.
- IN LAYER 3 PIN "B" IS CLOSED TO "A" COMMON IN POSITION, OPENING BETWEEN DETENT POSITIONS.
- IN LAYER #1 PINS B,C,D,E & F ARE CLOSED TO "G" COMMON.
- IN LAYER #3 PINS D,E,F,G & H ARE CLOSED TO "J" COMMON.
- ~~CODE TRANSITION TO TAKE PLACE MIDWAY BETWEEN DETENT POSITIONS ±1.5°.~~
- ALL ELECTRICALLY ACTIVE PINS ARE IDENTIFIED BY LETTERS. THOSE NOT ELECTRICALLY ACTIVE ARE SHOWN, BUT NOT LETTERED.
- SWITCH IS 100% ELECTRICAL TESTED AND INSPECTED.
- FLATS ON CIRCUIT HUBS AND CUSTOMER GEAR BOX SHAFTS MUST BE ORIENTED AS SHOWN.
- CONTACT DIMENSION DOES NOT INCLUDE CUT-OFF BURR.

VIEW T
 SCALE 10:1
 CUSTOMER ASSEMBLY INFORMATION
 (SHAFTS SHOWN OUT OF SCALE FOR CLARITY)

447610-1
 PART NO.

DO NOT SCALE PRINT. UNLESS SPECIFIED DIMENSIONS IN INCHES [mm]	DR 1-17-91 CHUCK THOMAS	AMP Incorporated Harrisburg, PA 17105-3608
TOLERANCES - ON :	CHK 1-22-91 S.GLADFELTER	
2 PLC DEC ± -	APPD 1-22-91 S.GLADFELTER	NAME
3 PLC DEC ± .010 (0.25)	APPD 1-22-91 C.THOMAS	ROTARY SWITCH ASSY, 3510 SERIES, MULTI-BUSHING, 20 POSN PRIMARY, 18 POSN SECONDARY, 3 LAYER
ANGLES ± -	PRODUCT SPEC	SIZE
MATERIAL	APPLICATION SPEC	D 00779
FINISH	SCALE	2:1
WEIGHT	CAGE CODE	00779
	DRAWING NO	447610
	SHEET	1 OF 1



ООО «НИОКРсистемс» - это оперативные поставки широкого спектра электронных компонентов отечественного и импортного производства напрямую от производителей и с крупнейших мировых складов. Реализуемая нашей компанией продукция насчитывает более полумиллиона наименований.

Благодаря этому наша компания предлагает к поставке практически не ограниченный ассортимент компонентов как оптовыми, мелкооптовыми партиями, так и в розницу.

Благодаря развитой сети поставщиков, помогаем в поиске и приобретении экзотичных или снятых с производства компонентов.

Наша компания это:

- Гарантия качества поставляемой продукции
- Широкий ассортимент
- Минимальные сроки поставок
- Техническая поддержка
- Подбор комплектации
- Индивидуальный подход
- Гибкое ценообразование
- Работаем по 275 ФЗ