

APC-7122 (AMB-2023-E)

Industrial Computing Platform Partner

Intel® Pentium® III and Celeron® Processor-based Industrial Robust Panel PC with 12.1" TFT LCD & 2 Expansion Slots



Open Frame Structure with IP-65 certified aluminum-front panel (optional)



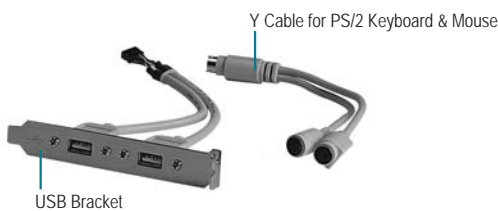
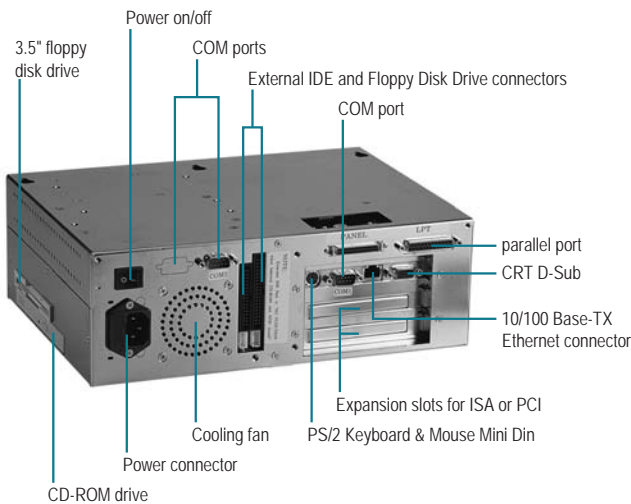
Features

- 12.1" TFT SVGA (800 x 600) LCD
- Socket 370-based Intel® Pentium® III and Celeron® Processors up to 850MHz
- System Memory up to 256MB SDRAM
- Disk Drive Bay for CD-ROM, Floppy Disk Drive and Hard Disk Drive
- Two Free Expansion Slots for ISA or PCI



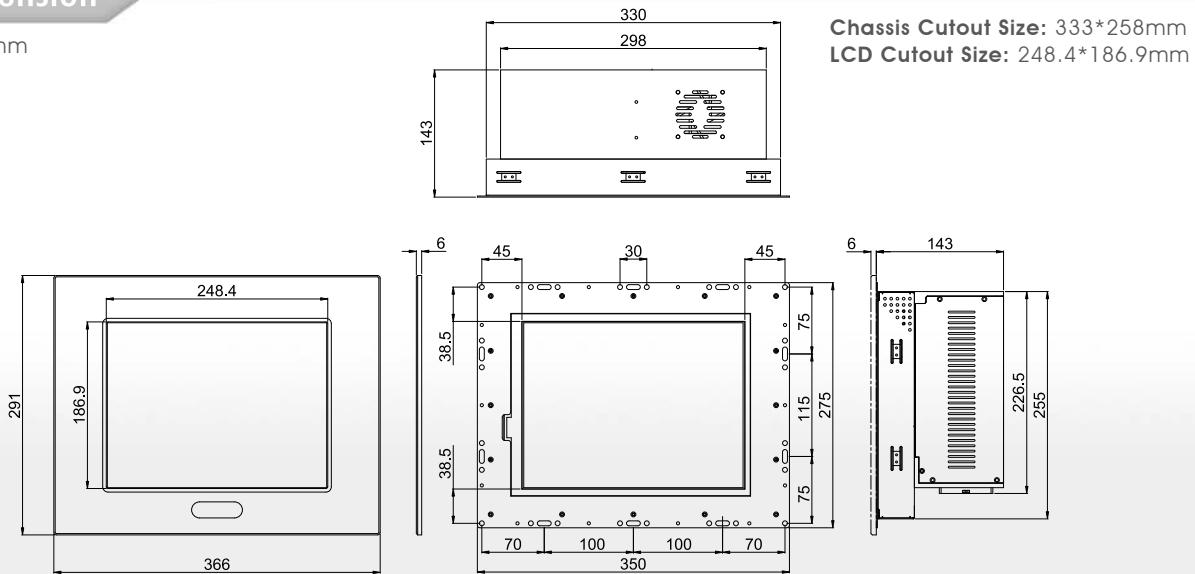
Specifications

System	
CPU	Socket 370-based Intel® Pentium® III and Celeron® processor up to 850MHz with FSB 66/100MHz
Memory	Supports up to 256MB SDRAM
LCD/CRT Controller	C&T 69000 controller with 2MB SDRAM. CRT & LCD panel support.
Ethernet	Intel® 82559ER, 10/100 Base-TX RJ-45 connector x 1
I/O Port	2 serial ports: 1 x RS-232, 1 x RS-232/422/485 (COM 2 is reserved for touchscreen) 1 parallel port (supports ECP/EPP) 1 PS/2 keyboard and mouse port
Storage Disk Drive	3.5" Hard Disk Drive or 2.5" Hard Disk Drive, Slim Floppy Disk Drive and Slim CD-ROM (2 types of housing both are not compatible)
USB Connector	Pin header for Dual USB with USB bracket cable
Expansion Slot	2 x PCI or 1 x ISA and 1 x PCI slot
Power Supply	Universal 70W switching power supply
OS Support	MS DOS, Windows® 98SE, Windows® 2000, Windows® XP
Mechanical	
Construction	Heavy-duty steel chassis IP-65 certified aluminum front panel (optional)
Front Panel Color	RAL 7035
Mounting	Panelmount, Rearmount Optional: Rotatable mounting mechanism
Dimension	13.8" (W) x 10.8" (H) x 5.6" (D) (350mm x 275mm x 143mm) with bezel: 14.4" (W) x 11.5" (H) x 5.9" (D) (366mm x 291mm x 149mm)
Carton Dimension	18.8" (W) x 17" (H) x 14.9" (D) (479mm x 431mm x 378mm)
Gross Weight	28 lb (12.7 Kg) with bezel: 30 lb (13.6 Kg)



Dimension

Unit: mm



Environmental	
Operating Temperature	32°F ~ 113°F (0°C ~ 45°C)
Storage Temperature	-4°F ~ 140°F (-20°C ~ 60°C)
Operating Humidity	10 to 90%@35°C, non-condensing
Vibration	Random Non-operation 2G, 5 ~ 500Hz
Shock	15G peak acceleration (11 msec. duration)
EMC	CE/FCC Class A
Safety	UL60950 (for AC power supply series only)
Power Supply	
AC Input 70W (standard offer)	Input: 85V AC ~ 270V AC @ 47 ~ 63Hz Output: +5V@10A, +12V@1.5A, -12V@0.3A
24V DC Input 72W	Input: 10V DC ~ 30V DC @ 13A max Output: +5V@10A, +12V@1.5A, -12V@0.3A
LCD	
Display Type	12.1" color TFT LCD
Max. Resolution	800 x 600
Max. Colors	256K
Dot Size	0.3075mm x 0.3075mm
Luminance	350 cd/m ² (TYP.)
Viewing Angle	140° (H) 120° (V)
Back Light MTBF	50,000 hrs
Touchscreen (optional)	
Type	8-wire, analog resistive
Resolution	2048 x 2048
Light Transmission	75%
Lifetime	1 million activations
OS Support	MS DOS, Windows® 98SE, Windows® 2000, Windows® XP

Ordering Information

- **AMB-2023HT-E5**
Panel PC with 12.1" TFT, Socket 370 SBC, AC Power Supply
- **AMB-2023HT-E6**
Panel PC with 12.1" TFT, Socket 370 SBC, AC Power Supply, Floppy Disk Drive, CD-ROM
- **AMB-2023HT-E7**
Panel PC with 12.1" TFT, Socket 370 SBC, 24V DC Power Supply
- **AMB-2023HT-E8**
Panel PC with 12.1" TFT, Socket 370 SBC, 24V DC Power Supply, Floppy Disk Drive, CD-ROM
- **AMB-2023HTT-E5**
AMB-2023HT-E5 with Resistive Touchscreen
- **AMB-2023HTT-E6**
AMB-2023HT-E6 with Resistive Touchscreen
- **AMB-2023HTT-E7**
AMB-2023HT-E7 with Resistive Touchscreen
- **AMB-2023HTT-E8**
AMB-2023HT-E8 with Resistive Touchscreen

Optional Accessories

- **M14PD2A002**
Aluminum Front Bezel for APC-7122 Series
- **ARM-MK12-0**
Rotatable Mounting Mechanism for APC-7122 Series
- 3.5" or 2.5" Hard Disk Drive



ООО «НИОКРсистемс» - это оперативные поставки широкого спектра электронных компонентов отечественного и импортного производства напрямую от производителей и с крупнейших мировых складов. Реализуемая нашей компанией продукция насчитывает более полумиллиона наименований.

Благодаря этому наша компания предлагает к поставке практически не ограниченный ассортимент компонентов как оптовыми, мелкооптовыми партиями, так и в розницу.

Благодаря развитой сети поставщиков, помогаем в поиске и приобретении экзотичных или снятых с производства компонентов.

Наша компания это:

- Гарантия качества поставляемой продукции
- Широкий ассортимент
- Минимальные сроки поставок
- Техническая поддержка
- Подбор комплектации
- Индивидуальный подход
- Гибкое ценообразование
- Работаем по 275 ФЗ