

CS8183

Dual Micropower 200 mA Low Dropout Tracking Regulator/Line Driver

The CS8183 is a dual low dropout tracking regulator designed to provide adjustable buffered output voltages that closely track (± 10 mV) the reference inputs. The outputs deliver up to 200 mA while being able to be configured higher, lower or equal to the reference voltages.

The outputs have been designed to operate over a wide range (2.8 V to 45 V) while still maintaining excellent DC characteristics. The CS8183 is protected from reverse battery, short circuit and thermal runaway conditions. The device also can withstand 45 V load dump transients and -50 V reverse polarity input voltage transients. This makes it suitable for use in automotive environments.

The $V_{REF}/ENABLE$ leads serve two purposes. They are used to provide the input voltage as a reference for the output and they also can be pulled low to place the device in sleep mode where it nominally draws less than 30 μ A from the supply.

The two trackers can be combined in parallel doubling the capability to 400 mA for a single application.

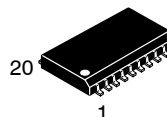
Features

- Two Regulated Outputs 200 mA, ± 10 mV Track Worst Case
- Low Dropout (0.35 V typ @ 200 mA)
- Low Quiescent Current
- Independent Thermal Shutdown
- Short Circuit Protection
- Wide Operating Range
- Internally Fused Leads in the SO-20W Package
- These are Pb-Free Devices



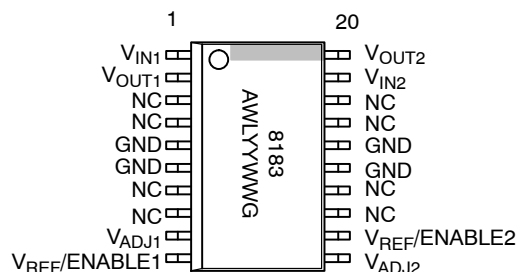
ON Semiconductor®

<http://onsemi.com>



SO-20WB
DWF SUFFIX
CASE 751D

PIN CONNECTIONS AND MARKING DIAGRAM



8183 = Specific Device Code
A = Assembly Location
WL = Wafer Lot
YY = Year
WW = Work Week
G = Pb-Free Package

ORDERING INFORMATION

| Device | Package | Shipping† |
|----------------|----------------------|------------------|
| CS8183YDWF20G | SO-20WB (Pb-Free) | 38 Units/Rail |
| CS8183YDWFR20G | SO-20WB (Pb-Free) | 1000/Tape & Reel |

†For information on tape and reel specifications, including part orientation and tape sizes, please refer to our Tape and Reel Packaging Specifications Brochure, BRD8011/D.

*For additional information on our Pb-Free strategy and soldering details, please download the ON Semiconductor Soldering and Mounting Techniques Reference Manual, SOLDERRM/D.

CS8183

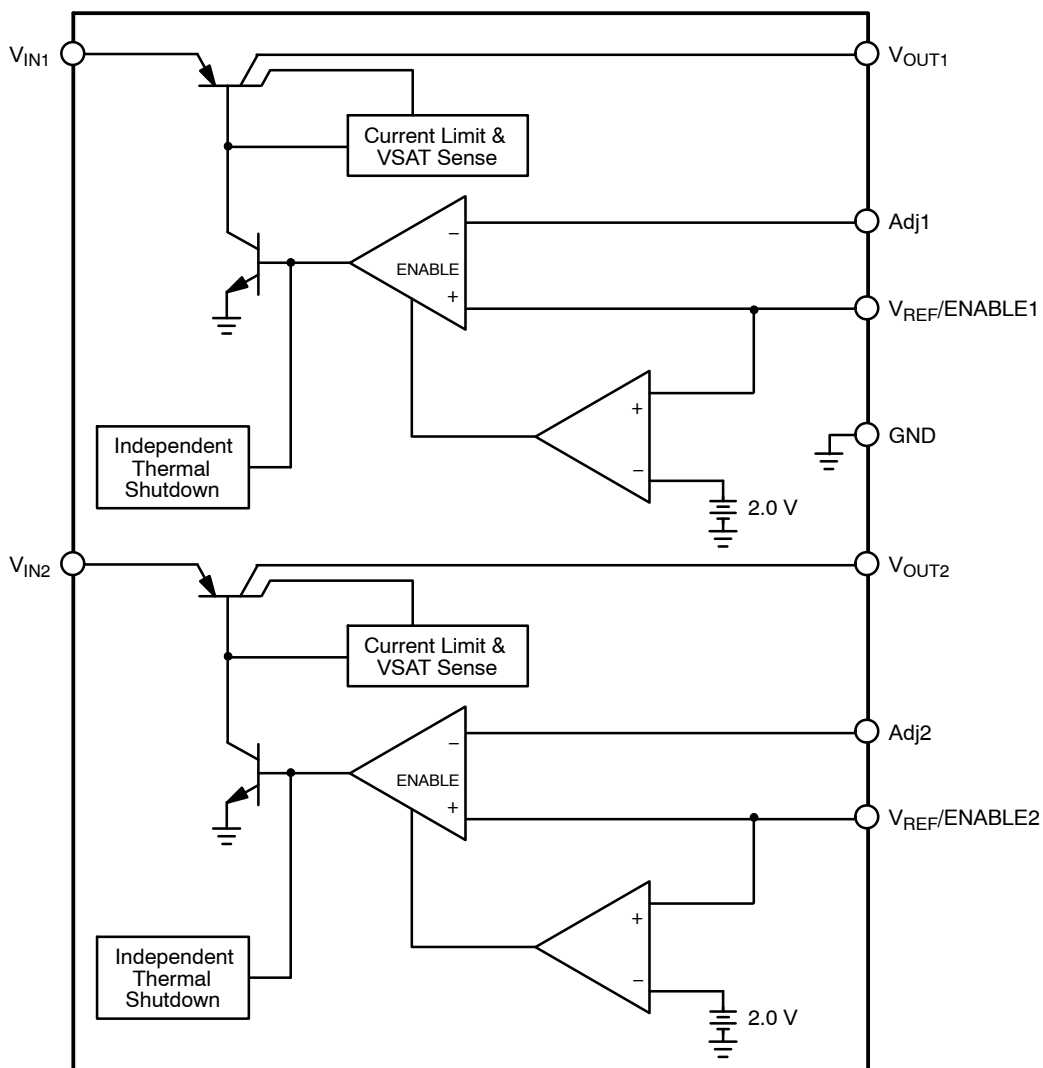


Figure 1. Block Diagram

PACKAGE PIN DESCRIPTION

| Package Lead # SO-20W | Lead Symbol | Function |
|----------------------------|-------------------|---|
| 1 | V_{IN1} | Input voltage for V_{OUT1} . |
| 2 | V_{OUT1} | Regulated output voltage 1. |
| 3, 4, 7, 8, 13, 14, 17, 18 | NC | No connection. |
| 5, 6, 15, 16 | GND | Ground (4 leads fused). |
| 9 | V_{ADJ1} | Adjust lead for V_{OUT1} . |
| 10 | $V_{REF/ENABLE1}$ | Reference voltage and ENABLE input for V_{OUT1} . |
| 11 | V_{ADJ2} | Adjust lead for V_{OUT2} . |
| 12 | $V_{REF/ENABLE2}$ | Reference voltage and ENABLE input for V_{OUT2} . |
| 19 | V_{IN2} | Input voltage for V_{OUT2} . |
| 20 | V_{OUT2} | Regulated output voltage 2. |

MAXIMUM RATINGS

| Rating | Value | Unit | |
|---|---------------------------------------|----------------------|---------|
| Storage Temperature | -65 to 150 | °C | |
| Supply Voltage Range (continuous) | 15 to 45 | V | |
| Supply Voltage Range (normal, continuous) | 3.4 to 45 | V | |
| Peak Transient Voltage ($V_{IN} = 14$ V, Load Dump Transient = 31 V) | 45 | V | |
| Voltage Range (Adj, $V_{REF}/ENABLE$, V_{OUT}) | -10 to 45 | V | |
| Maximum Junction Temperature | 150 | °C | |
| Package Thermal Resistance Junction-to-Case, $R_{\theta JC}$ Junction-to-Ambient, $R_{\theta JA}$ | 18 73 | °C/W °C/W | |
| ESD Capability | (Human Body Model) (Machine Model) | 2.0 200 | kV V |
| Lead Temperature Soldering | Reflow: (SMD styles only) (Note 1) | 240 peak (Note 2) | °C |

Stresses exceeding Maximum Ratings may damage the device. Maximum Ratings are stress ratings only. Functional operation above the Recommended Operating Conditions is not implied. Extended exposure to stresses above the Recommended Operating Conditions may affect device reliability.

- 60 second maximum above 183°C.
- 5°C/+0°C allowable conditions.

ELECTRICAL CHARACTERISTICS ($V_{IN} = 14$ V; $V_{REF}/ENABLE > 2.75$ V; $-40^{\circ}\text{C} \leq T_J \leq +125^{\circ}\text{C}$; $C_{OUT} \geq 10$ μF ;
 $0.1 \Omega < C_{OUT} - ESR < 1.0 \Omega$ @ 10 kHz; unless otherwise stated.)

| Parameter | Test Conditions | Min | Typ | Max | Unit |
|---|---|-----|----------------|-----------------|--------------------------------------|
| REGULAR OUTPUT 1, 2 | | | | | |
| $V_{REF} - V_{OUT}$ V_{OUT} Tracking Error | $4.5 \text{ V} \leq V_{IN} \leq 26 \text{ V}$, $100 \mu\text{A} \leq I_{OUT} \leq 200 \text{ mA}$, (Note 3) | -10 | - | 10 | mV |
| Dropout Voltage ($V_{IN} - V_{OUT}$) | $I_{OUT} = 100 \mu\text{A}$ $I_{OUT} = 200 \text{ mA}$ | - | 100 350 | 150 600 | mV mV |
| Line Regulation | $4.5 \text{ V} \leq V_{IN} \leq 26 \text{ V}$, (Note 3) | - | - | 10 | mV |
| Load Regulation | $100 \mu\text{A} \leq I_{OUT} \leq 200 \text{ mA}$, (Note 3) | - | - | 10 | mV |
| Adj Lead Current | Loop in Regulation | - | 0.2 | 1.0 | μA |
| Current Limit | $V_{IN} = 14 \text{ V}$, $V_{REF} = 5.0 \text{ V}$, $V_{OUT} = 90\%$ of V_{REF} , (Note 3) | 225 | - | 700 | mA |
| Quiescent Current ($I_{IN} - I_{OUT}$) | $V_{IN} = 12 \text{ V}$, $I_{OUT} = 200 \text{ mA}$ $V_{IN} = 12 \text{ V}$, $I_{OUT} = 100 \mu\text{A}$ $V_{IN} = 12 \text{ V}$, $V_{REF}/ENABLE = 0 \text{ V}$ | - | 15 75 30 | 25 150 55 | mA μA μA |
| Reverse Current | $V_{OUT} = 5.0 \text{ V}$, $V_{IN} = 0 \text{ V}$ | - | 0.2 | 1.5 | mA |
| Ripple Rejection | $f = 120 \text{ Hz}$, $I_{OUT} = 200 \text{ mA}$, $4.5 \text{ V} \leq V_{IN} \leq 26 \text{ V}$ | 60 | - | - | dB |
| Thermal Shutdown | - | 150 | 180 | 210 | °C |

 $V_{REF}/ENABLE$ 1, 2

| | | | | | |
|--------------------|---|------|------|------|---------------|
| Enable Voltage | - | 0.80 | 2.00 | 2.75 | V |
| Input Bias Current | $V_{REF}/ENABLE$ 1, 2 $> 2.0 \text{ V}$ | - | 0.2 | 1.0 | μA |

- V_{OUT} connected to Adj lead.

TYPICAL CHARACTERISTICS

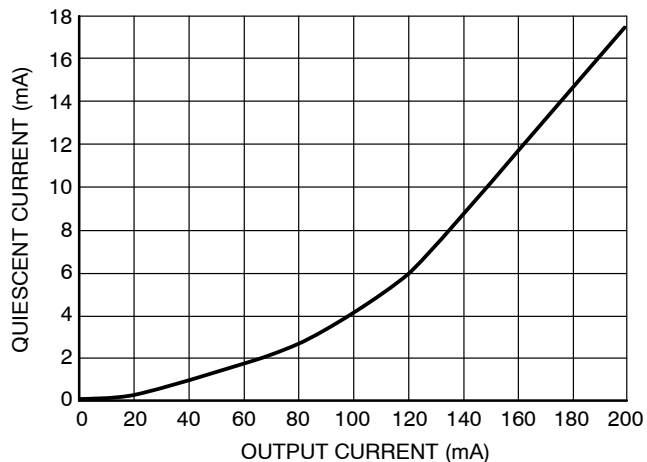


Figure 2. Quiescent Current vs. Output Current

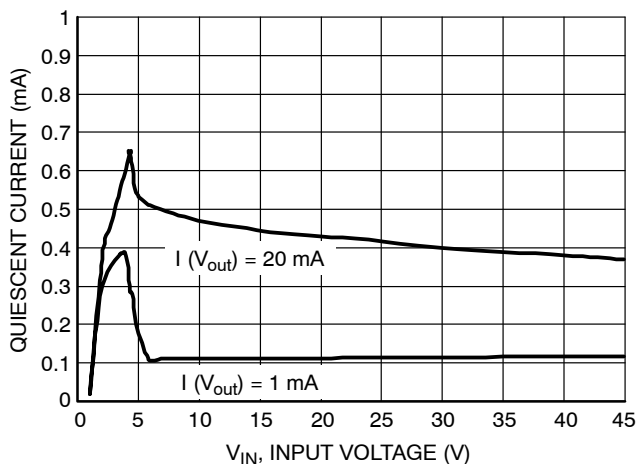


Figure 3. Quiescent Current vs. Input Voltage (Operating Mode)

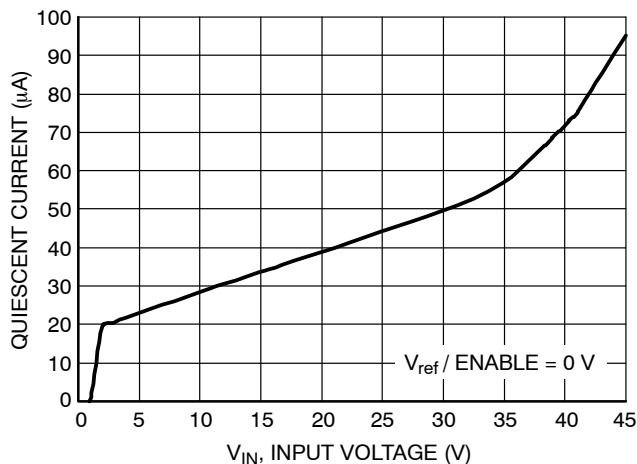


Figure 4. Quiescent Current vs. Input Voltage (Sleep Mode)

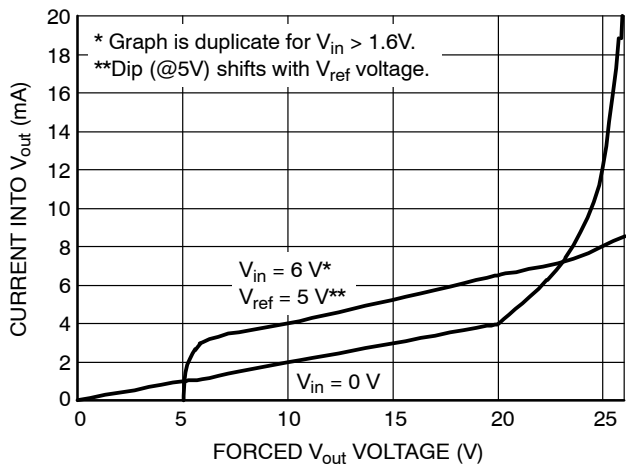


Figure 5. V_{out} Reverse Current

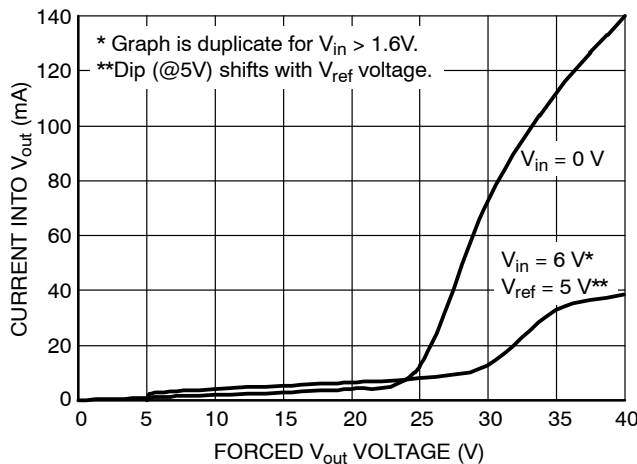


Figure 6. V_{out} Reverse Current

CIRCUIT DESCRIPTION

ENABLE Function

By pulling the V_{REF}/ENABLE 1, 2 lead below 2.0 V typically, (see Figure 10 or Figure 11), the IC is disabled and enters a sleep state where the device draws less than 30 μA from supply. When the V_{REF}/ENABLE lead is greater than 2.75 V, V_{OUT} tracks the V_{REF}/ENABLE lead normally.

Output Voltage

Figures 7 through 12 only display one channel of the device for simplicity. The configurations shown apply for both channels.

The outputs are capable of supplying 200 mA to the load while configured as a similar (Figure 7), lower (Figure 9), or higher (Figure 8) voltage as the reference lead. The Adj lead acts as the inverting terminal of the op amp and the V_{REF} lead as the non-inverting.

The device can also be configured as a high-side driver as displayed in Figure 12.

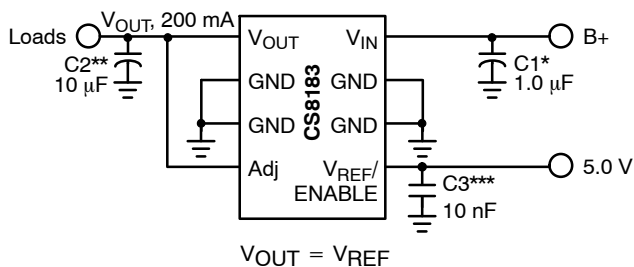


Figure 7. Tracking Regulator at the Same Voltage

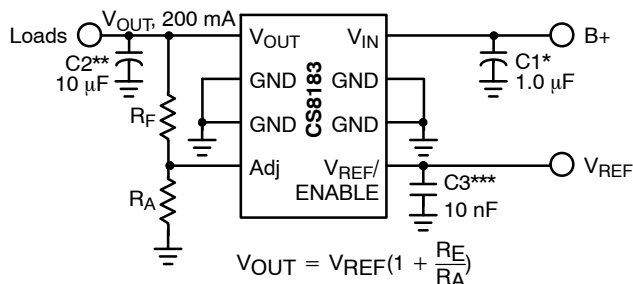


Figure 8. Tracking Regulator at Higher Voltages

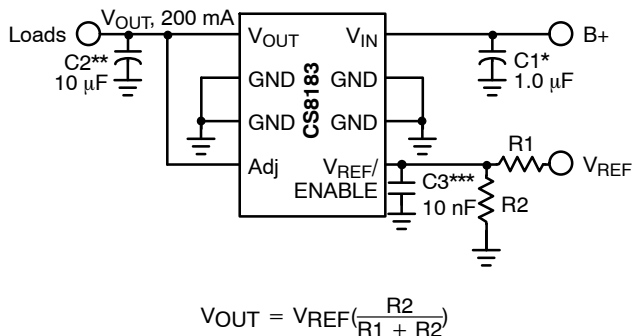


Figure 9. Tracking Regulator at Lower Voltages

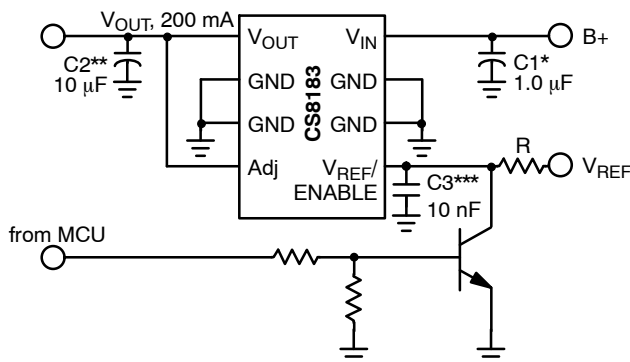


Figure 10. Tracking Regulator with ENABLE Circuit

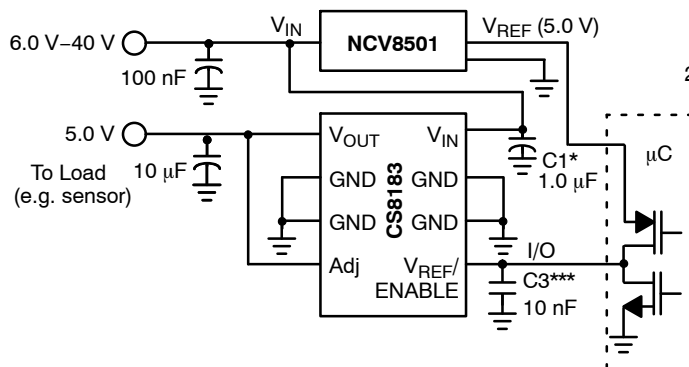


Figure 11. Alternative ENABLE Circuit

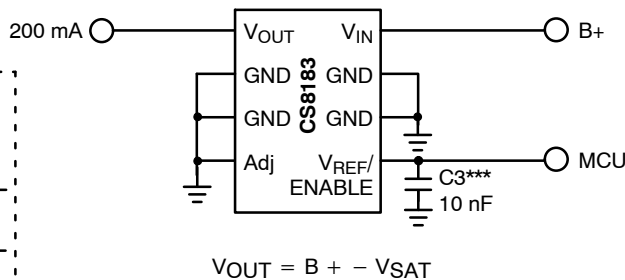


Figure 12. High-Side Driver

* C1 is required if the regulator is far from the power source filter
 ** C2 is required for stability
 *** C3 is recommended for EMC susceptibility

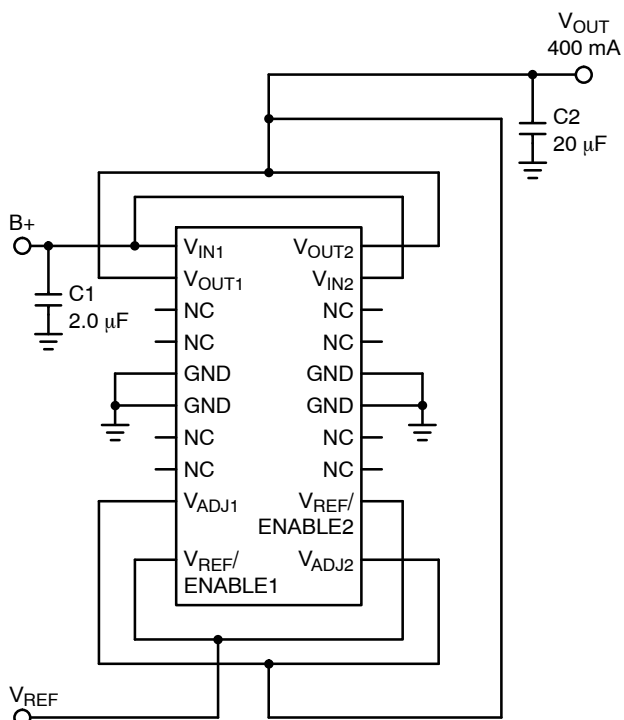


Figure 13. 400 mA Loading

400 mA Output Capability

Normally regulator outputs cannot be combined to increase capability. This can cause damage to an IC because of mismatches in the output drivers. The tight tolerances in tracking of the CS8183 allow their outputs to be combined for increased performance. Figure 13 shows the circuit connections needed to perform this function.

APPLICATION NOTES

Switched Application

The CS8183 has been designed for use in systems where the reference voltage on the $V_{REF}/ENABLE$ pin is continuously on. Typically, the current into the $V_{REF}/ENABLE$ pin will be less than 1.0 μA when the voltage on the V_{IN} pin (usually the ignition line) has been switched out (V_{IN} can be at high impedance or at ground.) Reference Figure 14.

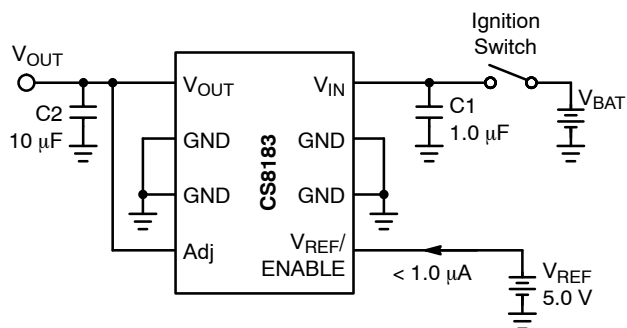


Figure 14.

External Capacitors

Output capacitors for the CS8183 are required for stability. Without them, the regulator outputs will oscillate. Actual size and type may vary depending upon the application load and temperature range. Capacitor effective series resistance (ESR) is also a factor in the IC stability.

Worst-case is determined at the minimum ambient temperature and maximum load expected.

The output capacitors can be increased in size to any desired value above the minimum. One possible purpose of this would be to maintain the output voltage during brief conditions of negative input transients that might be characteristic of a particular system.

The capacitors must also be rated at all ambient temperatures expected in the system. To maintain regulator stability down to $-40^{\circ}C$, a capacitor rated at that temperature must be used.

More information on capacitor selection for SMART REGULATOR®s is available in the SMART REGULATOR application note, "Compensation for Linear Regulators."

Calculating Power Dissipation in a Dual Output Linear Regulator

The maximum power dissipation for a dual output regulator (Figure 15) is:

$$PD(max) = \{V_{IN(max)} - V_{OUT1(min)}\} I_{OUT1(max)} + \{V_{IN(max)} - V_{OUT2(min)}\} I_{OUT2(max)} + V_{IN(max)} I_Q \quad (1)$$

where:

- $V_{IN(max)}$ is the maximum input voltage,
- $V_{OUT1(min)}$ is the minimum output voltage from V_{OUT1} ,
- $V_{OUT2(min)}$ is the minimum output voltage from V_{OUT2} ,

$I_{OUT1(max)}$ is the maximum output current, for the application,

$I_{OUT2(max)}$ is the maximum output current, for the application,

I_Q is the quiescent current the regulator consumes at $I_{OUT(max)}$.

Once the value of $PD(max)$ is known, the maximum permissible value of $R_{\theta JA}$ can be calculated:

$$R_{\theta JA} = \frac{150^{\circ}C - T_A}{P_D} \quad (2)$$

The value of $R_{\theta JA}$ can then be compared with those in the package section of the data sheet. Those packages with $R_{\theta JA}$'s less than the calculated value in equation 2 will keep the die temperature below $150^{\circ}C$.

In some cases, none of the packages will be sufficient to dissipate the heat generated by the IC, and an external heat sink will be required.

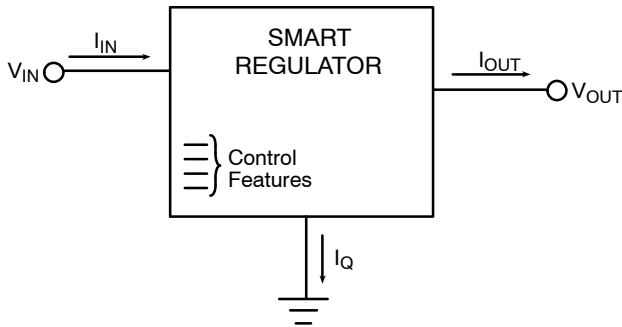


Figure 15. Dual Output Regulator with Key Performance Parameters Labeled

Heatsinks

A heatsink effectively increases the surface area of the package to improve the flow of heat away from the IC and into the surrounding air.

Each material in the heat flow path between the IC and the outside environment will have a thermal resistance. Like series electrical resistances, these resistances are summed to determine the value of $R_{\theta JA}$:

$$R_{\theta JA} = R_{\theta JC} + R_{\theta CS} + R_{\theta SA} \quad (3)$$

where:

$R_{\theta JC}$ = the junction-to-case thermal resistance,

$R_{\theta CS}$ = the case-to-heatsink thermal resistance, and

$R_{\theta SA}$ = the heatsink-to-ambient thermal resistance.

$R_{\theta JC}$ appears in the package section of the data sheet. Like $R_{\theta JA}$, it is a function of package type. $R_{\theta CS}$ and $R_{\theta SA}$ are functions of the package type, heatsink and the interface between them. These values appear in heat sink data sheets of heat sink manufacturers.



ООО «НИОКРсистемс» - это оперативные поставки широкого спектра электронных компонентов отечественного и импортного производства напрямую от производителей и с крупнейших мировых складов. Реализуемая нашей компанией продукция насчитывает более полумиллиона наименований.

Благодаря этому наша компания предлагает к поставке практически не ограниченный ассортимент компонентов как оптовыми, мелкооптовыми партиями, так и в розницу.

Благодаря развитой сети поставщиков, помогаем в поиске и приобретении экзотичных или снятых с производства компонентов.

Наша компания это:

- Гарантия качества поставляемой продукции
- Широкий ассортимент
- Минимальные сроки поставок
- Техническая поддержка
- Подбор комплектации
- Индивидуальный подход
- Гибкое ценообразование
- Работаем по 275 ФЗ