

CY8C27143, CY8C27243, CY8C27443, CY8C27543, and CY8C27643



Features

■ Powerful Harvard Architecture Processor

- M8C Processor Speeds to 24 MHz
- 8x8 Multiply, 32-Bit Accumulate
- Low Power at High Speed
- 3.0 to 5.25V Operating Voltage
- Operating Voltages Down to 1.0V Using On-Chip Switch Mode Pump (SMP)
- Industrial Temperature Range: -40°C to +85°C

■ Advanced Peripherals (PSoC Blocks)

- 12 Rail-to-Rail Analog PSoC Blocks Provide:
 - Up to 14-Bit ADCs
 - Up to 9-Bit DACs
 - Programmable Gain Amplifiers
 - Programmable Filters and Comparators
- 8 Digital PSoC Blocks Provide:
 - 8- to 32-Bit Timers, Counters, and PWMs
 - CRC and PRS Modules
 - Up to 2 Full-Duplex UARTs
 - Multiple SPI™ Masters or Slaves
 - Connectable to all GPIO Pins
- Complex Peripherals by Combining Blocks

■ Precision, Programmable Clocking

- Internal 2.5% 24/48 MHz Oscillator
- 24/48 MHz with Optional 32 kHz Crystal
- Optional External Oscillator, up to 24 MHz
- Internal Oscillator for Watchdog and Sleep

■ Flexible On-Chip Memory

- 16K Flash Program Storage 50,000 Erase/Write Cycles
- 256 Bytes SRAM Data Storage
- In-System Serial Programming (ISSP)
- Partial Flash Updates
- Flexible Protection Modes
- EEPROM Emulation in Flash

■ Programmable Pin Configurations

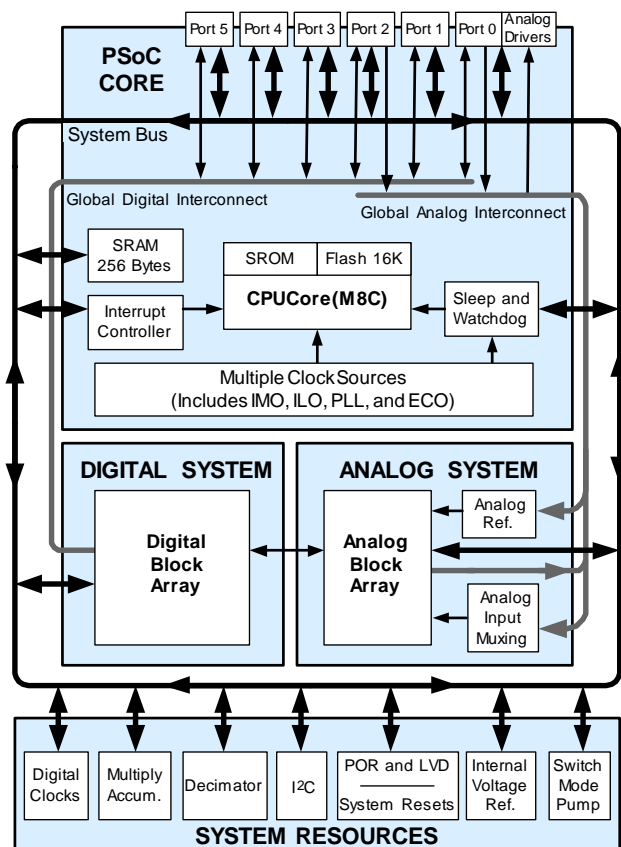
- 25 mA Sink on all GPIO
- Pull up, Pull down, High Z, Strong, or Open Drain Drive Modes on all GPIO
- Up to 12 Analog Inputs on GPIO
- Four 30 mA Analog Outputs on GPIO
- Configurable Interrupt on all GPIO

■ Additional System Resources

- I²C™ Slave, Master, and Multi-Master to 400 kHz
- Watchdog and Sleep Timers
- User-Configurable Low Voltage Detection
- Integrated Supervisory Circuit
- On-Chip Precision Voltage Reference

■ Complete Development Tools

- Free Development Software (PSoC Designer™)
- Full-Featured, In-Circuit Emulator and Programmer
- Full Speed Emulation
- Complex Breakpoint Structure
- 128K Trace Memory



PSoC® Functional Overview

The PSoC® family consists of many *Mixed-Signal Array with On-Chip Controller* devices. These devices are designed to replace multiple traditional MCU-based system components with one, low cost single-chip programmable device. PSoC devices include configurable blocks of analog and digital logic, as well as programmable interconnects. This architecture allows the user to create customized peripheral configurations that match the requirements of each individual application. Additionally, a fast CPU, Flash program memory, SRAM data memory, and configurable IO are included in a range of convenient pinouts and packages.

The PSoC architecture, as illustrated on the left, is comprised of four main areas: PSoC Core, Digital System, Analog System, and System Resources. Configurable global busing allows all the device resources to be combined into a complete custom system. The PSoC CY8C27x43 family can have up to five IO ports that connect to the global digital and analog interconnects, providing access to 8 digital blocks and 12 analog blocks.

The PSoC Core

The PSoC Core is a powerful engine that supports a rich feature set. The core includes a CPU, memory, clocks, and configurable GPIO (General Purpose IO).

The M8C CPU core is a powerful processor with speeds up to 24 MHz, providing a four MIPS 8-bit Harvard architecture micro-

processor. The CPU utilizes an interrupt controller with 17 vectors, to simplify programming of real time embedded events. Program execution is timed and protected using the included Sleep and Watch Dog Timers (WDT).

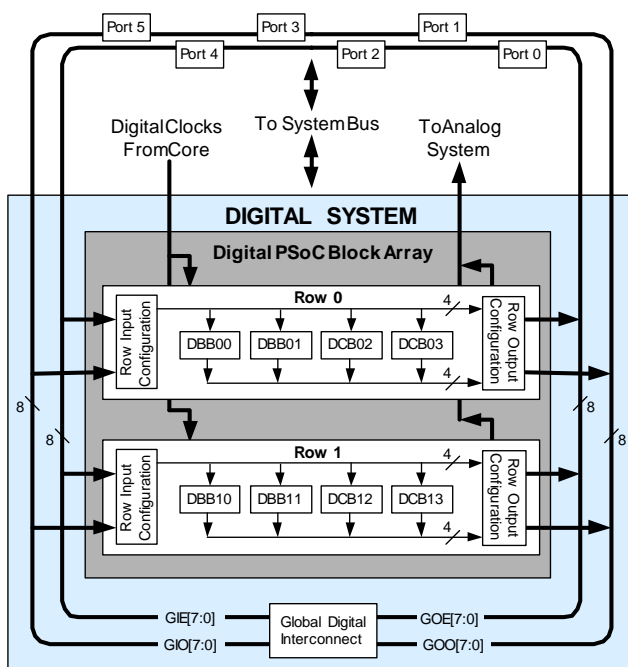
Memory encompasses 16K of Flash for program storage, 256 bytes of SRAM for data storage, and up to 2K of EEPROM emulated using the Flash. Program Flash utilizes four protection levels on blocks of 64 bytes, allowing customized software IP protection.

The PSoC device incorporates flexible internal clock generators, including a 24 MHz IMO (internal main oscillator) accurate to 2.5% over temperature and voltage. The 24 MHz IMO can also be doubled to 48 MHz for use by the digital system. A low power 32 kHz ILO (internal low speed oscillator) is provided for the Sleep timer and WDT. If crystal accuracy is desired, the ECO (32.768 kHz external crystal oscillator) is available for use as a Real Time Clock (RTC) and can optionally generate a crystal-accurate 24 MHz system clock using a PLL. The clocks, together with programmable clock dividers (as a System Resource), provide the flexibility to integrate almost any timing requirement into the PSoC device.

PSoC GPIOs provide connection to the CPU, digital and analog resources of the device. Each pin's drive mode may be selected from eight options, allowing great flexibility in external interfacing. Every pin also has the capability to generate a system interrupt on high level, low level, and change from last read.

The Digital System

The Digital System is composed of 8 digital PSoC blocks. Each block is an 8-bit resource that can be used alone or combined with other blocks to form 8, 16, 24, and 32-bit peripherals, which are called user module references.



Digital System Block Diagram

Digital peripheral configurations include those listed below.

- PWMs (8 to 32 bit)
- PWMs with Dead band (8 to 32 bit)
- Counters (8 to 32 bit)
- Timers (8 to 32 bit)
- UART 8 bit with selectable parity (up to 2)
- SPI slave and master (up to 2)
- I2C slave and multi-master (1 available as a System Resource)
- Cyclical Redundancy Checker/Generator (8 to 32 bit)
- IrDA (up to 2)
- Pseudo Random Sequence Generators (8 to 32 bit)

The digital blocks can be connected to any GPIO through a series of global buses that can route any signal to any pin. The buses also allow for signal multiplexing and for performing logic operations. This configurability frees your designs from the constraints of a fixed peripheral controller.

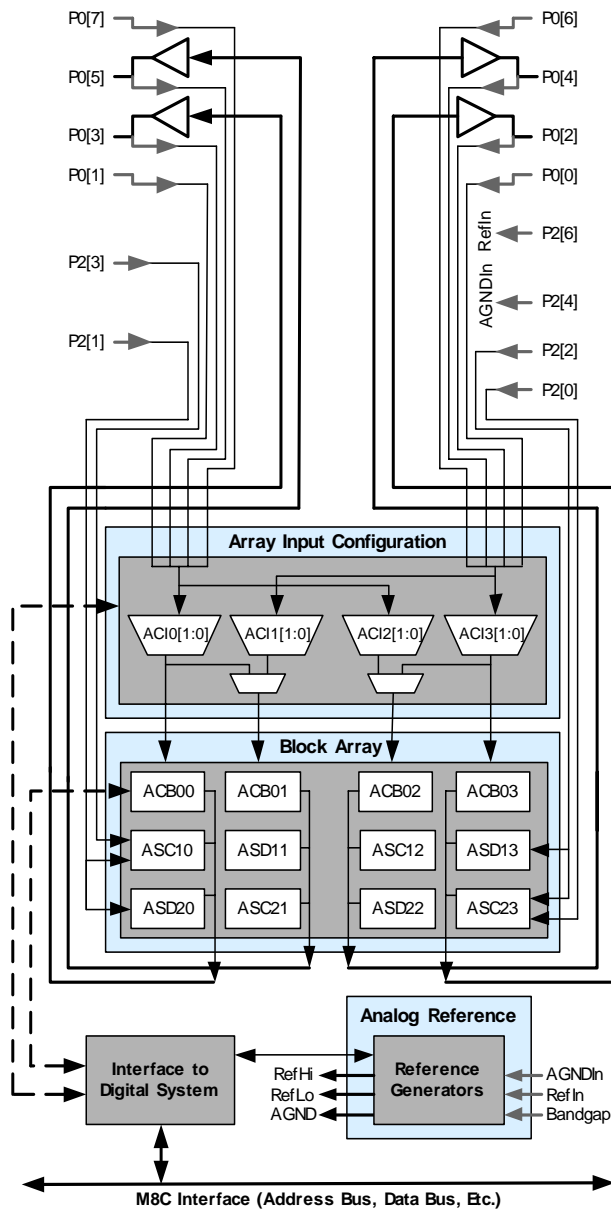
Digital blocks are provided in rows of four, where the number of blocks varies by PSoC device family. This allows you the optimum choice of system resources for your application. Family resources are shown in the table titled “PSoC Device Characteristics” on page 3.

The Analog System

The Analog System is composed of 12 configurable blocks, each comprised of an opamp circuit allowing the creation of complex analog signal flows. Analog peripherals are very flexible and can be customized to support specific application requirements. Some of the more common PSoC analog functions (most available as user modules) are listed below.

- Analog-to-digital converters (up to 4, with 6- to 14-bit resolution, selectable as Incremental, Delta Sigma, and SAR)
- Filters (2, 4, 6, and 8 pole band-pass, low-pass, and notch)
- Amplifiers (up to 4, with selectable gain to 48x)
- Instrumentation amplifiers (up to 2, with selectable gain to 93x)
- Comparators (up to 4, with 16 selectable thresholds)
- DACs (up to 4, with 6- to 9-bit resolution)
- Multiplying DACs (up to 4, with 6- to 9-bit resolution)
- High current output drivers (four with 30 mA drive as a Core Resource)
- 1.3V reference (as a System Resource)
- DTMF Dialer
- Modulators
- Correlators
- Peak detectors
- Many other topologies possible

Analog blocks are provided in columns of three, which includes one CT (Continuous Time) and two SC (Switched Capacitor) blocks, as shown in the figure below.



Analog System Block Diagram

Additional System Resources

System Resources, some of which have been previously listed, provide additional capability useful to complete systems. Additional resources include a multiplier, decimator, switch mode pump, low voltage detection, and power on reset. Statements describing the merits of each system resource are below.

- Digital clock dividers provide three customizable clock frequencies for use in applications. The clocks can be routed to both the digital and analog systems. Additional clocks can be generated using digital PSOC blocks as clock dividers.
- Multiply accumulate (MAC) provides fast 8-bit multiplier with 32-bit accumulate, to assist in general math and digital filters.
- The decimator provides a custom hardware filter for digital signal processing applications including the creation of Delta Sigma ADCs.
- The I2C module provides 100 and 400 kHz communication over two wires. Slave, master, and multi-master modes are all supported.
- Low Voltage Detection (LVD) interrupts can signal the application of falling voltage levels, while the advanced POR (Power On Reset) circuit eliminates the need for a system supervisor.
- An internal 1.3V reference provides an absolute reference for the analog system, including ADCs and DACs.
- An integrated switch mode pump (SMP) generates normal operating voltages from a single 1.2V battery cell, providing a low cost boost converter.

PSoC Device Characteristics

Depending on your PSOC device characteristics, the digital and analog systems can have 16, 8, or 4 digital blocks and 12, 6, or 4 analog blocks. The following table lists the resources available for specific PSOC device groups. The PSOC device covered by this data sheet is highlighted below.

PSoC Device Characteristics

| PSoC Part Number | Digital IO | Digital Rows | Digital Blocks | Analog Inputs | Analog Outputs | Analog Columns | Analog Blocks | SRAM Size | Flash Size |
|------------------|------------|--------------|----------------|---------------|----------------|----------------|----------------|-----------|------------|
| CY8C29x66 | up to 64 | 4 | 16 | 12 | 4 | 4 | 12 | 2K | 32K |
| CY8C27x43 | up to 44 | 2 | 8 | 12 | 4 | 4 | 12 | 256 Bytes | 16K |
| CY8C24x94 | 49 | 1 | 4 | 48 | 2 | 2 | 6 | 1K | 16K |
| CY8C24x23 | up to 24 | 1 | 4 | 12 | 2 | 2 | 6 | 256 Bytes | 4K |
| CY8C24x23A | up to 24 | 1 | 4 | 12 | 2 | 2 | 6 | 256 Bytes | 4K |
| CY8C21x34 | up to 28 | 1 | 4 | 28 | 0 | 2 | 4 ^a | 512 Bytes | 8K |
| CY8C21x23 | 16 | 1 | 4 | 8 | 0 | 2 | 4 ^a | 256 Bytes | 4K |
| CY8C20x34 | up to 28 | 0 | 0 | 28 | 0 | 0 | 3 ^b | 512 Bytes | 8K |

a. Limited analog functionality.
 b. Two analog blocks and one CapSense.

Getting Started

The quickest path to understanding the PSoC silicon is by reading this data sheet and using the PSoC Designer Integrated Development Environment (IDE). This data sheet is an overview of the PSoC integrated circuit and presents specific pin, register, and electrical specifications. For in-depth information, along with detailed programming information, reference the *PSoC Mixed-Signal Array Technical Reference Manual*.

For up-to-date Ordering, Packaging, and Electrical Specification information, reference the latest PSoC device data sheets on the web at <http://www.cypress.com/psoc>.

Development Kits

Development Kits are available from the following distributors: Digi-Key, Avnet, Arrow, and Future. The Cypress Online Store contains development kits, C compilers, and all accessories for PSoC development. Go to the Cypress Online Store web site at <http://www.cypress.com>, click the Online Store shopping cart icon at the bottom of the web page, and click *PSoC (Programmable System-on-Chip)* to view a current list of available items.

Technical Training

Free PSoC technical training is available for beginners and is taught by a marketing or application engineer over the phone. PSoC training classes cover designing, debugging, advanced analog, as well as application-specific classes covering topics such as PSoC and the LIN bus. Go to <http://www.cypress.com>, click on Design Support located on the left side of the web page, and select Technical Training for more details.

Consultants

Certified PSoC Consultants offer everything from technical assistance to completed PSoC designs. To contact or become a PSoC Consultant go to <http://www.cypress.com>, click on Design Support located on the left side of the web page, and select CYPros Consultants.

Technical Support

PSoC application engineers take pride in fast and accurate response. They can be reached with a 4-hour guaranteed response at <http://www.cypress.com/support/login.cfm>.

Application Notes

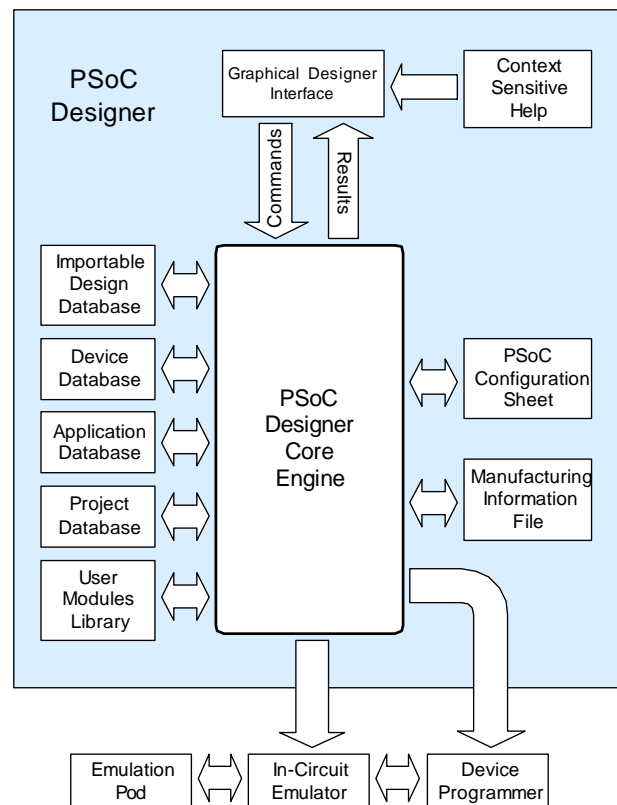
A long list of application notes will assist you in every aspect of your design effort. To view the PSoC application notes, go to the <http://www.cypress.com> web site and select Application Notes under the Design Resources list located in the center of the web page. Application Notes are sorted by date by default.

Development Tools

PSoC Designer is a Microsoft® Windows-based, integrated development environment for the Programmable System-on-Chip (PSoC) devices. The PSoC Designer IDE and application runs on Windows NT 4.0, Windows 2000, Windows Millennium (Me), or Windows XP. (Reference the PSoC Designer Functional Flow diagram below.)

PSoC Designer helps the customer to select an operating configuration for the PSoC, write application code that uses the PSoC, and debug the application. This system provides design database management by project, an integrated debugger with In-Circuit Emulator, in-system programming support, and the CYASM macro assembler for the CPUs.

PSoC Designer also supports a high-level C language compiler developed specifically for the devices in the family.



PSoC Designer Subsystems

PSoC Designer Software Subsystems

Device Editor

The Device Editor subsystem allows the user to select different onboard analog and digital components called user modules using the PSoC blocks. Examples of user modules are ADCs, DACs, Amplifiers, and Filters.

The device editor also supports easy development of multiple configurations and dynamic reconfiguration. Dynamic configuration allows for changing configurations at run time.

PSoC Designer sets up power-on initialization tables for selected PSoC block configurations and creates source code for an application framework. The framework contains software to operate the selected components and, if the project uses more than one operating configuration, contains routines to switch between different sets of PSoC block configurations at run time. PSoC Designer can print out a configuration sheet for a given project configuration for use during application programming in conjunction with the Device Data Sheet. Once the framework is generated, the user can add application-specific code to flesh out the framework. It's also possible to change the selected components and regenerate the framework.

Design Browser

The Design Browser allows users to select and import preconfigured designs into the user's project. Users can easily browse a catalog of preconfigured designs to facilitate time-to-design. Examples provided in the tools include a 300-baud modem, LIN Bus master and slave, fan controller, and magnetic card reader.

Application Editor

In the Application Editor you can edit your C language and Assembly language source code. You can also assemble, compile, link, and build.

Assembler. The macro assembler allows the assembly code to be merged seamlessly with C code. The link libraries automatically use absolute addressing or can be compiled in relative mode, and linked with other software modules to get absolute addressing.

C Language Compiler. A C language compiler is available that supports Cypress MicroSystems' PSoC family devices. Even if you have never worked in the C language before, the product quickly allows you to create complete C programs for the PSoC family devices.

The embedded, optimizing C compiler provides all the features of C tailored to the PSoC architecture. It comes complete with embedded libraries providing port and bus operations, standard keypad and display support, and extended math functionality.

Debugger

The PSoC Designer Debugger subsystem provides hardware in-circuit emulation, allowing the designer to test the program in a physical system while providing an internal view of the PSoC device. Debugger commands allow the designer to read and program and read and write data memory, read and write IO registers, read and write CPU registers, set and clear breakpoints, and provide program run, halt, and step control. The debugger also allows the designer to create a trace buffer of registers and memory locations of interest.

Online Help System

The online help system displays online, context-sensitive help for the user. Designed for procedural and quick reference, each functional subsystem has its own context-sensitive help. This system also provides tutorials and links to FAQs and an Online Support Forum to aid the designer in getting started.

Hardware Tools

In-Circuit Emulator

A low cost, high functionality ICE (In-Circuit Emulator) is available for development support. This hardware has the capability to program single devices.

The emulator consists of a base unit that connects to the PC by way of the parallel or USB port. The base unit is universal and will operate with all PSoC devices. Emulation pods for each device family are available separately. The emulation pod takes the place of the PSoC device in the target board and performs full speed (24 MHz) operation.

Designing with User Modules

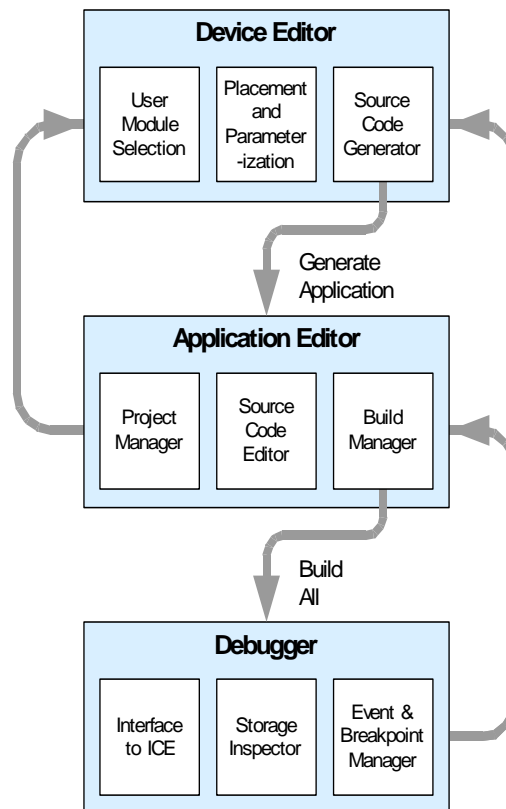
The development process for the PSoC device differs from that of a traditional fixed function microprocessor. The configurable analog and digital hardware blocks give the PSoC architecture a unique flexibility that pays dividends in managing specification change during development and by lowering inventory costs. These configurable resources, called PSoC Blocks, have the ability to implement a wide variety of user-selectable functions. Each block has several registers that determine its function and connectivity to other blocks, multiplexers, buses, and to the IO pins. Iterative development cycles permit you to adapt the hardware as well as the software. This substantially lowers the risk that you will have to select a different part to meet the final design requirements.

To speed the development process, the PSoC Designer Integrated Development Environment (IDE) provides a library of pre-built, pre-tested hardware peripheral functions, called “User Modules.” User modules make selecting and implementing peripheral devices simple, and come in analog, digital, and mixed signal varieties. The standard User Module library contains over 50 common peripherals such as ADCs, DACs Timers, Counters, UARTs, and other not-so common peripherals such as DTMF Generators and Bi-Quad analog filter sections.

Each user module establishes the basic register settings that implement the selected function. It also provides parameters that allow you to tailor its precise configuration to your particular application. For example, a Pulse Width Modulator User Module configures one or more digital PSoC blocks, one for each 8 bits of resolution. The user module parameters permit you to establish the pulse width and duty cycle. User modules also provide tested software to cut your development time. The user module application programming interface (API) provides high-level functions to control and respond to hardware events at run-time. The API also provides optional interrupt service routines that you can adapt as needed.

The API functions are documented in user module data sheets that are viewed directly in the PSoC Designer IDE. These data sheets explain the internal operation of the user module and provide performance specifications. Each data sheet describes the use of each user module parameter and documents the setting of each register controlled by the user module.

The development process starts when you open a new project and bring up the Device Editor, a graphical user interface (GUI) for configuring the hardware. You pick the user modules you need for your project and map them onto the PSoC blocks with point-and-click simplicity. Next, you build signal chains by interconnecting user modules to each other and the IO pins. At this stage, you also configure the clock source connections and enter parameter values directly or by selecting values from drop-down menus. When you are ready to test the hardware configuration or move on to developing code for the project, you perform the “Generate Application” step. This causes PSoC Designer to generate source code that automatically configures the device to your specification and provides the high-level user module API functions.



User Module and Source Code Development Flows

The next step is to write your main program, and any sub-routines using PSoC Designer’s Application Editor subsystem. The Application Editor includes a Project Manager that allows you to open the project source code files (including all generated code files) from a hierarchical view. The source code editor provides syntax coloring and advanced edit features for both C and assembly language. File search capabilities include simple string searches and recursive “grep-style” patterns. A single mouse click invokes the Build Manager. It employs a professional-strength “makefile” system to automatically analyze all file dependencies and run the compiler and assembler as necessary. Project-level options control optimization strategies used by the compiler and linker. Syntax errors are displayed in a console window. Double clicking the error message takes you directly to the offending line of source code. When all is correct, the linker builds a HEX file image suitable for programming.

The last step in the development process takes place inside the PSoC Designer’s Debugger subsystem. The Debugger downloads the HEX image to the In-Circuit Emulator (ICE) where it runs at full speed. Debugger capabilities rival those of systems costing many times more. In addition to traditional single-step, run-to-breakpoint and watch-variable features, the Debugger provides a large trace buffer and allows you define complex breakpoint events that include monitoring address and data bus values, memory locations and external signals.

Document Conventions

Acronyms Used

The following table lists the acronyms that are used in this document.

| Acronym | Description |
|---------|---|
| AC | alternating current |
| ADC | analog-to-digital converter |
| API | application programming interface |
| CPU | central processing unit |
| CT | continuous time |
| DAC | digital-to-analog converter |
| DC | direct current |
| ECO | external crystal oscillator |
| EEPROM | electrically erasable programmable read-only memory |
| FSR | full scale range |
| GPIO | general purpose IO |
| GUI | graphical user interface |
| HBM | human body model |
| ICE | in-circuit emulator |
| ILO | internal low speed oscillator |
| IMO | internal main oscillator |
| IO | input/output |
| IPOR | imprecise power on reset |
| LSb | least-significant bit |
| LVD | low voltage detect |
| MSb | most-significant bit |
| PC | program counter |
| PLL | phase-locked loop |
| POR | power on reset |
| PPOR | precision power on reset |
| PSoC® | Programmable System-on-Chip™ |
| PWM | pulse width modulator |
| SC | switched capacitor |
| SLIMO | slow IMO |
| SMP | switch mode pump |
| SRAM | static random access memory |

Units of Measure

A units of measure table is located in the Electrical Specifications section. [Table 3-1 on page 19](#) lists all the abbreviations used to measure the PSoC devices.

Numeric Naming

Hexidecimal numbers are represented with all letters in uppercase with an appended lowercase 'h' (for example, '14h' or '3Ah'). Hexidecimal numbers may also be represented by a '0x' prefix, the C coding convention. Binary numbers have an appended lowercase 'b' (e.g., '01010100b' or '01000011b'). Numbers not indicated by an 'h' or 'b' are decimal.

Table of Contents

For an in depth discussion and more information on your PSoC device, obtain the *PSoC Mixed-Signal Array Technical Reference Manual* on <http://www.cypress.com>. This document is organized into the following chapters and sections.

| | |
|---|-----------|
| 1. Pin Information | 8 |
| 1.1 Pinouts | 8 |
| 1.1.1 8-Pin Part Pinout | 8 |
| 1.1.2 20-Pin Part Pinout | 9 |
| 1.1.3 28-Pin Part Pinout | 10 |
| 1.1.4 44-Pin Part Pinout | 11 |
| 1.1.5 48-Pin Part Pinouts | 12 |
| 1.1.6 56-Pin Part Pinout | 14 |
| 2. Register Reference | 16 |
| 2.1 Register Conventions | 16 |
| 2.2 Register Mapping Tables | 16 |
| 3. Electrical Specifications | 19 |
| 3.1 Absolute Maximum Ratings | 20 |
| 3.2 Operating Temperature | 20 |
| 3.3 DC Electrical Characteristics | 21 |
| 3.3.1 DC Chip-Level Specifications | 21 |
| 3.3.2 DC General Purpose IO Specifications | 21 |
| 3.3.3 DC Operational Amplifier Specifications | 22 |
| 3.3.4 DC Low Power Comparator Specifications | 23 |
| 3.3.5 DC Analog Output Buffer Specifications | 24 |
| 3.3.6 DC Switch Mode Pump Specifications | 25 |
| 3.3.7 DC Analog Reference Specifications | 26 |
| 3.3.8 DC Analog PSoC Block Specifications | 28 |
| 3.3.9 DC POR and LVD Specifications | 28 |
| 3.3.10 DC Programming Specifications | 29 |
| 3.4 AC Electrical Characteristics | 30 |
| 3.4.1 AC Chip-Level Specifications | 30 |
| 3.4.2 AC General Purpose IO Specifications | 32 |
| 3.4.3 AC Operational Amplifier Specifications | 33 |
| 3.4.4 AC Low Power Comparator Specifications | 35 |
| 3.4.5 AC Digital Block Specifications | 35 |
| 3.4.6 AC Analog Output Buffer Specifications | 36 |
| 3.4.7 AC External Clock Specifications | 37 |
| 3.4.8 AC Programming Specifications | 37 |
| 3.4.9 AC I2C Specifications | 38 |
| 4. Packaging Information | 39 |
| 4.1 Packaging Dimensions | 39 |
| 4.2 Thermal Impedances | 44 |
| 4.3 Capacitance on Crystal Pins | 44 |
| 4.4 Solder Reflow Peak Temperature | 44 |
| 5. Development Tool Selection | 45 |
| 5.1 Software | 45 |
| 5.1.1 PSoC Designer | 45 |
| 5.1.2 PSoC Express | 45 |
| 5.1.3 PSoC Programmer | 45 |
| 5.1.4 CY3202-C iMAGEcraft C Compiler | 45 |
| 5.2 Development Kits | 45 |
| 5.2.1 CY3215-DK Basic Development Kit | 45 |
| 5.2.2 CY3210-ExpressDK Development Kit | 46 |
| 5.3 Evaluation Tools | 46 |
| 5.3.1 CY3210-MiniProg1 | 46 |
| 5.3.2 CY3210-PSoCEval1 | 46 |
| 5.3.3 CY3214-PSoCEvalUSB | 46 |
| 5.4 Device Programmers | 46 |
| 5.4.1 CY3216 Modular Programmer | 46 |
| 5.4.2 CY3207ISSP Serial Programmer (ISSP) | 46 |
| 5.5 Accessories (Emulation and Programming) | 47 |
| 5.6 3rd-Party Tools | 47 |
| 5.7 Build a PSoC Emulator into Your Board | 47 |
| 6. Ordering Information | 48 |
| 6.1 Ordering Code Definitions | 49 |
| 7. Sales and Service Information | 50 |
| 7.1 Revision History | 50 |
| 7.2 Copyrights and Code Protection | 51 |

1. Pin Information



This chapter describes, lists, and illustrates the CY8C27x43 PSoC device pins and pinout configurations.

1.1 Pinouts

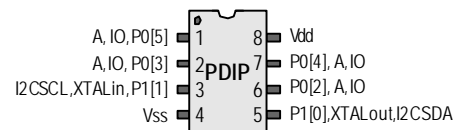
The CY8C27x43 PSoC device is available in a variety of packages which are listed and illustrated in the following tables. Every port pin (labeled with a "P") is capable of Digital IO. However, Vss, Vdd, SMP, and XRES are not capable of Digital IO.

1.1.1 8-Pin Part Pinout

Table 1-1. 8-Pin Part Pinout (PDIP)

| Pin No. | Type | | Pin Name | Description |
|---------|---------|--------|----------|---|
| | Digital | Analog | | |
| 1 | IO | IO | P0[5] | Analog column mux input and column output. |
| 2 | IO | IO | P0[3] | Analog column mux input and column output. |
| 3 | IO | | P1[1] | Crystal Input (XTALin), I2C Serial Clock (SCL), ISSP-SCLK*. |
| 4 | Power | | Vss | Ground connection. |
| 5 | IO | | P1[0] | Crystal Output (XTALout), I2C Serial Data (SDA), ISSP-SDATA*. |
| 6 | IO | IO | P0[2] | Analog column mux input and column output. |
| 7 | IO | IO | P0[4] | Analog column mux input and column output. |
| 8 | Power | | Vdd | Supply voltage. |

CY8C27143 8-Pin PSoC Device



LEGEND: A = Analog, I = Input, and O = Output.

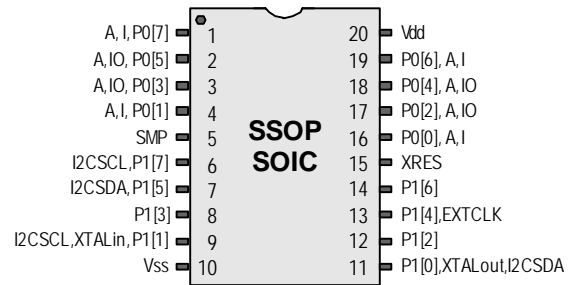
* These are the ISSP pins, which are not High Z at POR (Power On Reset). See the *PSoC Mixed-Signal Array Technical Reference Manual* for details.

1.1.2 20-Pin Part Pinout

Table 1-2. 20-Pin Part Pinout (SSOP, SOIC)

| Pin No. | Type | | Pin Name | Description |
|---------|---------|--------|----------|--|
| | Digital | Analog | | |
| 1 | IO | I | P0[7] | Analog column mux input. |
| 2 | IO | IO | P0[5] | Analog column mux input and column output. |
| 3 | IO | IO | P0[3] | Analog column mux input and column output. |
| 4 | IO | I | P0[1] | Analog column mux input. |
| 5 | Power | | SMP | Switch Mode Pump (SMP) connection to external components required. |
| 6 | IO | | P1[7] | I2C Serial Clock (SCL). |
| 7 | IO | | P1[5] | I2C Serial Data (SDA). |
| 8 | IO | | P1[3] | |
| 9 | IO | | P1[1] | Crystal Input (XTALin), I2C Serial Clock (SCL), ISSP-SCLK*. |
| 10 | Power | | Vss | Ground connection. |
| 11 | IO | | P1[0] | Crystal Output (XTALout), I2C Serial Data (SDA), ISSP-SDATA*. |
| 12 | IO | | P1[2] | |
| 13 | IO | | P1[4] | Optional External Clock Input (EXTCLK). |
| 14 | IO | | P1[6] | |
| 15 | Input | | XRES | Active high external reset with internal pull down. |
| 16 | IO | I | P0[0] | Analog column mux input. |
| 17 | IO | IO | P0[2] | Analog column mux input and column output. |
| 18 | IO | IO | P0[4] | Analog column mux input and column output. |
| 19 | IO | I | P0[6] | Analog column mux input. |
| 20 | Power | | Vdd | Supply voltage. |

CY8C27243 20-Pin PSoC Device



LEGEND: A = Analog, I = Input, and O = Output.

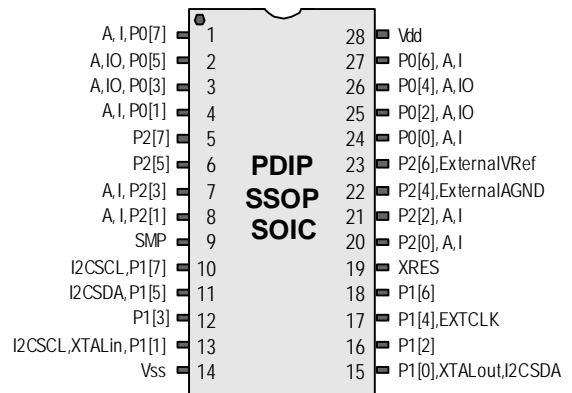
* These are the ISSP pins, which are not High Z at POR (Power On Reset). See the PSoC Mixed-Signal Array Technical Reference Manual for details.

1.1.3 28-Pin Part Pinout

Table 1-3. 28-Pin Part Pinout (PDIP, SSOP, SOIC)

| Pin No. | Type | | Pin Name | Description |
|---------|---------|--------|----------|--|
| | Digital | Analog | | |
| 1 | IO | I | P0[7] | Analog column mux input. |
| 2 | IO | IO | P0[5] | Analog column mux input and column output. |
| 3 | IO | IO | P0[3] | Analog column mux input and column output. |
| 4 | IO | I | P0[1] | Analog column mux input. |
| 5 | IO | | P2[7] | |
| 6 | IO | | P2[5] | |
| 7 | IO | I | P2[3] | Direct switched capacitor block input. |
| 8 | IO | I | P2[1] | Direct switched capacitor block input. |
| 9 | Power | | SMP | Switch Mode Pump (SMP) connection to external components required. |
| 10 | IO | | P1[7] | I2C Serial Clock (SCL). |
| 11 | IO | | P1[5] | I2C Serial Data (SDA). |
| 12 | IO | | P1[3] | |
| 13 | IO | | P1[1] | Crystal Input (XTALin), I2C Serial Clock (SCL), ISSP-SCLK*. |
| 14 | Power | | Vss | Ground connection. |
| 15 | IO | | P1[0] | Crystal Output (XTALout), I2C Serial Data (SDA), ISSP-SDATA*. |
| 16 | IO | | P1[2] | |
| 17 | IO | | P1[4] | Optional External Clock Input (EXTCLK). |
| 18 | IO | | P1[6] | |
| 19 | Input | | XRES | Active high external reset with internal pull down. |
| 20 | IO | I | P2[0] | Direct switched capacitor block input. |
| 21 | IO | I | P2[2] | Direct switched capacitor block input. |
| 22 | IO | | P2[4] | External Analog Ground (AGND). |
| 23 | IO | | P2[6] | External Voltage Reference (VRef). |
| 24 | IO | I | P0[0] | Analog column mux input. |
| 25 | IO | IO | P0[2] | Analog column mux input and column output. |
| 26 | IO | IO | P0[4] | Analog column mux input and column output. |
| 27 | IO | I | P0[6] | Analog column mux input. |
| 28 | Power | | Vdd | Supply voltage. |

CY8C27443 28-Pin PSoC Device



LEGEND: A = Analog, I = Input, and O = Output.

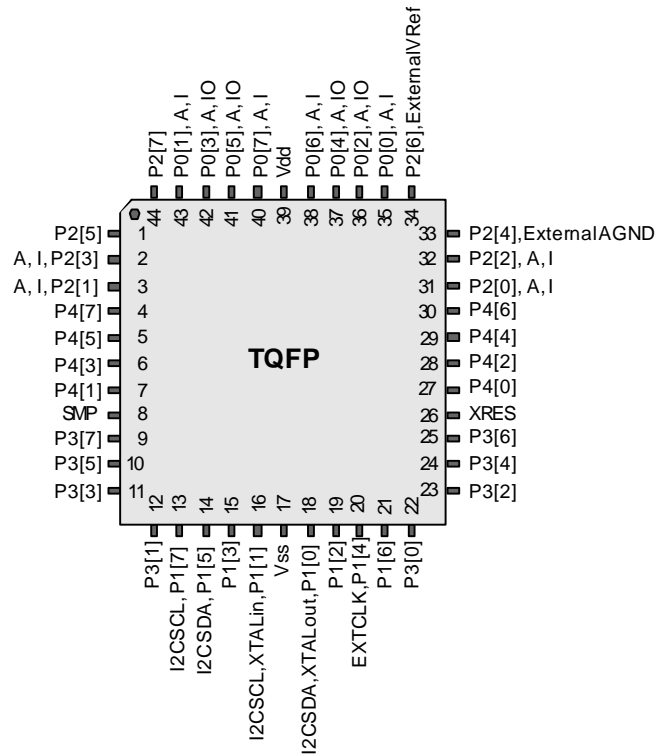
* These are the ISSP pins, which are not High Z at POR (Power On Reset). See the PSoC Mixed-Signal Array Technical Reference Manual for details.

1.1.4 44-Pin Part Pinout

Table 1-4. 44-Pin Part Pinout (TQFP)

| Pin No. | Type | | Pin Name | Description |
|---------|---------|--------|----------|--|
| | Digital | Analog | | |
| 1 | IO | | P2[5] | |
| 2 | IO | I | P2[3] | Direct switched capacitor block input. |
| 3 | IO | I | P2[1] | Direct switched capacitor block input. |
| 4 | IO | | P4[7] | |
| 5 | IO | | P4[5] | |
| 6 | IO | | P4[3] | |
| 7 | IO | | P4[1] | |
| 8 | Power | | SMP | Switch Mode Pump (SMP) connection to external components required. |
| 9 | IO | | P3[7] | |
| 10 | IO | | P3[5] | |
| 11 | IO | | P3[3] | |
| 12 | IO | | P3[1] | |
| 13 | IO | | P1[7] | I2C Serial Clock (SCL). |
| 14 | IO | | P1[5] | I2C Serial Data (SDA). |
| 15 | IO | | P1[3] | |
| 16 | IO | | P1[1] | Crystal Input (XTALin), I2C Serial Clock (SCL), ISSP-SCLK*. |
| 17 | Power | | Vss | Ground connection. |
| 18 | IO | | P1[0] | Crystal Output (XTALout), I2C Serial Data (SDA), ISSP-SDATA*. |
| 19 | IO | | P1[2] | |
| 20 | IO | | P1[4] | Optional External Clock Input (EXTCLK). |
| 21 | IO | | P1[6] | |
| 22 | IO | | P3[0] | |
| 23 | IO | | P3[2] | |
| 24 | IO | | P3[4] | |
| 25 | IO | | P3[6] | |
| 26 | Input | | XRES | Active high external reset with internal pull down. |
| 27 | IO | | P4[0] | |
| 28 | IO | | P4[2] | |
| 29 | IO | | P4[4] | |
| 30 | IO | | P4[6] | |
| 31 | IO | I | P2[0] | Direct switched capacitor block input. |
| 32 | IO | I | P2[2] | Direct switched capacitor block input. |
| 33 | IO | | P2[4] | External Analog Ground (AGND). |
| 34 | IO | | P2[6] | External Voltage Reference (VRef). |
| 35 | IO | I | P0[0] | Analog column mux input. |
| 36 | IO | IO | P0[2] | Analog column mux input and column output. |
| 37 | IO | IO | P0[4] | Analog column mux input and column output. |
| 38 | IO | I | P0[6] | Analog column mux input. |
| 39 | Power | | Vdd | Supply voltage. |
| 40 | IO | I | P0[7] | Analog column mux input. |
| 41 | IO | IO | P0[5] | Analog column mux input and column output. |
| 42 | IO | IO | P0[3] | Analog column mux input and column output. |
| 43 | IO | I | P0[1] | Analog column mux input. |
| 44 | IO | | P2[7] | |

CY8C27543 44-Pin PSoC Device



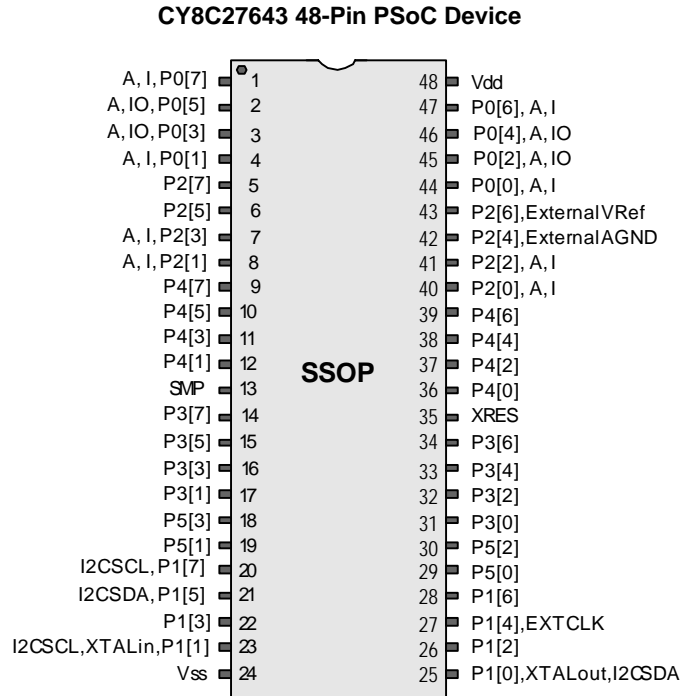
LEGEND: A = Analog, I = Input, and O = Output.

* These are the ISSP pins, which are not High Z at POR (Power On Reset). See the PSoC Mixed-Signal Array Technical Reference Manual for details.

1.1.5 48-Pin Part Pinouts

Table 1-5. 48-Pin Part Pinout (SSOP)

| Pin No. | Type | | Pin Name | Description |
|---------|---------|--------|----------|--|
| | Digital | Analog | | |
| 1 | IO | I | P0[7] | Analog column mux input. |
| 2 | IO | IO | P0[5] | Analog column mux input and column output. |
| 3 | IO | IO | P0[3] | Analog column mux input and column output. |
| 4 | IO | I | P0[1] | Analog column mux input. |
| 5 | IO | | P2[7] | |
| 6 | IO | | P2[5] | |
| 7 | IO | I | P2[3] | Direct switched capacitor block input. |
| 8 | IO | I | P2[1] | Direct switched capacitor block input. |
| 9 | IO | | P4[7] | |
| 10 | IO | | P4[5] | |
| 11 | IO | | P4[3] | |
| 12 | IO | | P4[1] | |
| 13 | Power | | SMP | Switch Mode Pump (SMP) connection to external components required. |
| 14 | IO | | P3[7] | |
| 15 | IO | | P3[5] | |
| 16 | IO | | P3[3] | |
| 17 | IO | | P3[1] | |
| 18 | IO | | P5[3] | |
| 19 | IO | | P5[1] | |
| 20 | IO | | P1[7] | I2C Serial Clock (SCL). |
| 21 | IO | | P1[5] | I2C Serial Data (SDA). |
| 22 | IO | | P1[3] | |
| 23 | IO | | P1[1] | Crystal Input (XTALin), I2C Serial Clock (SCL), ISSP-SCLK*. |
| 24 | Power | | Vss | Ground connection. |
| 25 | IO | | P1[0] | Crystal Output (XTALout), I2C Serial Data (SDA), ISSP-SDATA.* |
| 26 | IO | | P1[2] | |
| 27 | IO | | P1[4] | Optional External Clock Input (EXTCLK). |
| 28 | IO | | P1[6] | |
| 29 | IO | | P5[0] | |
| 30 | IO | | P5[2] | |
| 31 | IO | | P3[0] | |
| 32 | IO | | P3[2] | |
| 33 | IO | | P3[4] | |
| 34 | IO | | P3[6] | |
| 35 | Input | | XRES | Active high external reset with internal pull down. |
| 36 | IO | | P4[0] | |
| 37 | IO | | P4[2] | |
| 38 | IO | | P4[4] | |
| 39 | IO | | P4[6] | |
| 40 | IO | I | P2[0] | Direct switched capacitor block input. |
| 41 | IO | I | P2[2] | Direct switched capacitor block input. |
| 42 | IO | | P2[4] | External Analog Ground (AGND). |
| 43 | IO | | P2[6] | External Voltage Reference (VRef). |
| 44 | IO | I | P0[0] | Analog column mux input. |
| 45 | IO | IO | P0[2] | Analog column mux input and column output. |
| 46 | IO | IO | P0[4] | Analog column mux input and column output. |
| 47 | IO | I | P0[6] | Analog column mux input. |
| 48 | Power | | Vdd | Supply voltage. |



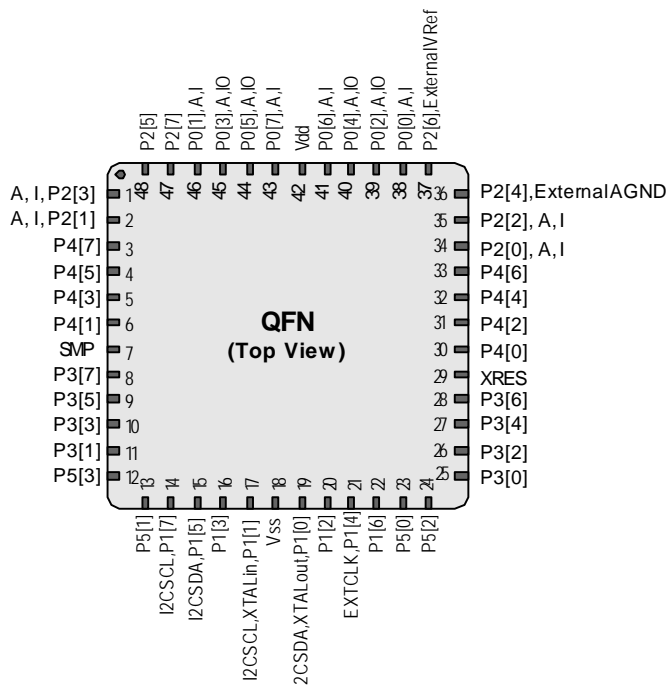
LEGEND: A = Analog, I = Input, and O = Output.

* These are the ISSP pins, which are not High Z at POR (Power On Reset). See the PSoC Mixed-Signal Array Technical Reference Manual for details.

Table 1-6. 48-Pin Part Pinout (QFN*)

| Pin No. | Type | | Pin Name | Description |
|---------|---------|--------|----------|--|
| | Digital | Analog | | |
| 1 | IO | I | P2[3] | Direct switched capacitor block input. |
| 2 | IO | I | P2[1] | Direct switched capacitor block input. |
| 3 | IO | | P4[7] | |
| 4 | IO | | P4[5] | |
| 5 | IO | | P4[3] | |
| 6 | IO | | P4[1] | |
| 7 | Power | | SMP | Switch Mode Pump (SMP) connection to external components required. |
| 8 | IO | | P3[7] | |
| 9 | IO | | P3[5] | |
| 10 | IO | | P3[3] | |
| 11 | IO | | P3[1] | |
| 12 | IO | | P5[3] | |
| 13 | IO | | P5[1] | |
| 14 | IO | | P1[7] | I2C Serial Clock (SCL). |
| 15 | IO | | P1[5] | I2C Serial Data (SDA). |
| 16 | IO | | P1[3] | |
| 17 | IO | | P1[1] | Crystal Input (XTALin), I2C Serial Clock (SCL), ISSP-SCLK*. |
| 18 | Power | | Vss | Ground connection. |
| 19 | IO | | P1[0] | Crystal Output (XTALout), I2C Serial Data (SDA), ISSP-SDATA*. |
| 20 | IO | | P1[2] | |
| 21 | IO | | P1[4] | Optional External Clock Input (EXTCLK). |
| 22 | IO | | P1[6] | |
| 23 | IO | | P5[0] | |
| 24 | IO | | P5[2] | |
| 25 | IO | | P3[0] | |
| 26 | IO | | P3[2] | |
| 27 | IO | | P3[4] | |
| 28 | IO | | P3[6] | |
| 29 | Input | | XRES | Active high external reset with internal pull down. |
| 30 | IO | | P4[0] | |
| 31 | IO | | P4[2] | |
| 32 | IO | | P4[4] | |
| 33 | IO | | P4[6] | |
| 34 | IO | I | P2[0] | Direct switched capacitor block input. |
| 35 | IO | I | P2[2] | Direct switched capacitor block input. |
| 36 | IO | | P2[4] | External Analog Ground (AGND). |
| 37 | IO | | P2[6] | External Voltage Reference (VRef). |
| 38 | IO | I | P0[0] | Analog column mux input. |
| 39 | IO | IO | P0[2] | Analog column mux input and column output. |
| 40 | IO | IO | P0[4] | Analog column mux input and column output. |
| 41 | IO | I | P0[6] | Analog column mux input. |
| 42 | Power | | Vdd | Supply voltage. |
| 43 | IO | I | P0[7] | Analog column mux input. |
| 44 | IO | IO | P0[5] | Analog column mux input and column output. |
| 45 | IO | IO | P0[3] | Analog column mux input and column output. |
| 46 | IO | I | P0[1] | Analog column mux input. |
| 47 | IO | | P2[7] | |
| 48 | IO | | P2[5] | |

CY8C27643 48-Pin PSoC Device



LEGEND: A = Analog, I = Input, and O = Output.

* The QFN package has a center pad that must be connected to ground (Vss).

* These are the ISSP pins, which are not High Z at POR (Power On Reset). See the PSoC Mixed-Signal Array Technical Reference Manual for details.

1.1.6 56-Pin Part Pinout

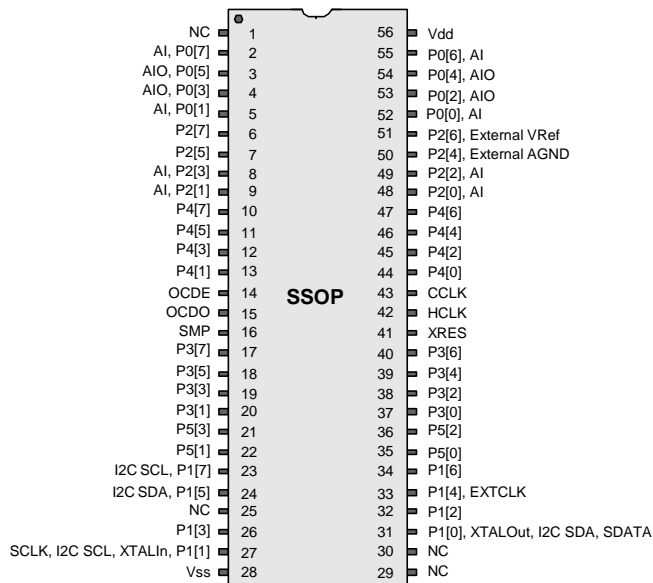
The 56-pin SSOP part is for the CY8C27002 On-Chip Debug (OCD) PSoC device.

Note This part is only used for in-circuit debugging. It is NOT available for production.

Table 1-7. 56-Pin Part Pinout (SSOP)

| Pin No. | Type | | Pin Name | Description |
|---------|---------|--------|----------|--|
| | Digital | Analog | | |
| 1 | | | NC | No connection. |
| 2 | IO | I | P0[7] | Analog column mux input. |
| 3 | IO | I | P0[5] | Analog column mux input and column output. |
| 4 | IO | I | P0[3] | Analog column mux input and column output. |
| 5 | IO | I | P0[1] | Analog column mux input. |
| 6 | IO | | P2[7] | |
| 7 | IO | | P2[5] | |
| 8 | IO | I | P2[3] | Direct switched capacitor block input. |
| 9 | IO | I | P2[1] | Direct switched capacitor block input. |
| 10 | IO | | P4[7] | |
| 11 | IO | | P4[5] | |
| 12 | IO | I | P4[3] | |
| 13 | IO | I | P4[1] | |
| 14 | OCD | | OCDE | OCD even data IO. |
| 15 | OCD | | OCDO | OCD odd data output. |
| 16 | Power | | SMP | Switch Mode Pump (SMP) connection to required external components. |
| 17 | IO | | P3[7] | |
| 18 | IO | | P3[5] | |
| 19 | IO | | P3[3] | |
| 20 | IO | | P3[1] | |
| 21 | IO | | P5[3] | |
| 22 | IO | | P5[1] | |
| 23 | IO | | P1[7] | I2C Serial Clock (SCL). |
| 24 | IO | | P1[5] | I2C Serial Data (SDA). |
| 25 | | | NC | No connection. |
| 26 | IO | | P1[3] | |
| 27 | IO | | P1[1] | Crystal Input (XTALin), I2C Serial Clock (SCL), ISSP-SCLK*. |
| 28 | Power | | Vdd | Supply voltage. |
| 29 | | | NC | No connection. |
| 30 | | | NC | No connection.. |
| 31 | IO | | P1[0] | Crystal Output (XTALout), I2C Serial Data (SDA), ISSP-SDATA*. |
| 32 | IO | | P1[2] | |
| 33 | IO | | P1[4] | Optional External Clock Input (EXTCLK). |
| 34 | IO | | P1[6] | |
| 35 | IO | | P5[0] | |
| 36 | IO | | P5[2] | |
| 37 | IO | | P3[0] | |
| 38 | IO | | P3[2] | |
| 39 | IO | | P3[4] | |
| 40 | IO | | P3[6] | |
| 41 | Input | | XRES | Active high external reset with internal pull down. |
| 42 | OCD | | HCLK | OCD high-speed clock output. |
| 43 | OCD | | CCLK | OCD CPU clock output. |
| 44 | IO | | P4[0] | |
| 45 | IO | | P4[2] | |
| 46 | IO | | P4[4] | |
| 47 | IO | | P4[6] | |

CY8C27002 56-Pin PSoC Device



Not for Production

Table 1-7. 56-Pin Part Pinout (SSOP)

| | | | | |
|----|-------|---|-------|--|
| 48 | IO | I | P2[0] | Direct switched capacitor block input. |
| 49 | IO | I | P2[2] | Direct switched capacitor block input. |
| 50 | IO | | P2[4] | External Analog Ground (AGND). |
| 51 | IO | | P2[6] | External Voltage Reference (VRef). |
| 52 | IO | I | P0[0] | Analog column mux input. |
| 53 | IO | I | P0[2] | Analog column mux input and column output. |
| 54 | IO | I | P0[4] | Analog column mux input and column output. |
| 55 | IO | I | P0[6] | Analog column mux input. |
| 56 | Power | | Vdd | Supply voltage. |

LEGEND: A = Analog, I = Input, O = Output, and OCD = On-Chip Debug.

* These are the ISSP pins, which are not High Z at POR (Power On Reset). See the *PSoC Mixed-Signal Array Technical Reference Manual* for details.

2. Register Reference



This chapter lists the registers of the CY8C27x43 PSoC device. For detailed register information, reference the *PSoC Mixed-Signal Array Technical Reference Manual*.

2.1 Register Conventions

The register conventions specific to this section are listed in the following table.

| Convention | Description |
|------------|------------------------------|
| R | Read register or bit(s) |
| W | Write register or bit(s) |
| L | Logical register or bit(s) |
| C | Clearable register or bit(s) |
| # | Access is bit specific |

2.2 Register Mapping Tables

The PSoC device has a total register address space of 512 bytes. The register space is referred to as IO space and is divided into two banks. The XO1 bit in the Flag register (CPU_F) determines which bank the user is currently in. When the XO1 bit is set the user is in Bank 1.

Note In the following register mapping tables, blank fields are reserved and should not be accessed.

Register Map Bank 0 Table: User Space

| Name | Addr (0,Hex) | Access | Name | Addr (0,Hex) | Access | Name | Addr (0,Hex) | Access | Name | Addr (0,Hex) | Access |
|----------|--------------|--------|----------|--------------|--------|----------|--------------|--------|----------|--------------|--------|
| PRT0DR | 00 | RW | | 40 | | ASC10CR0 | 80 | RW | | C0 | |
| PRT0IE | 01 | RW | | 41 | | ASC10CR1 | 81 | RW | | C1 | |
| PRT0GS | 02 | RW | | 42 | | ASC10CR2 | 82 | RW | | C2 | |
| PRT0DM2 | 03 | RW | | 43 | | ASC10CR3 | 83 | RW | | C3 | |
| PRT1DR | 04 | RW | | 44 | | ASD11CR0 | 84 | RW | | C4 | |
| PRT1IE | 05 | RW | | 45 | | ASD11CR1 | 85 | RW | | C5 | |
| PRT1GS | 06 | RW | | 46 | | ASD11CR2 | 86 | RW | | C6 | |
| PRT1DM2 | 07 | RW | | 47 | | ASD11CR3 | 87 | RW | | C7 | |
| PRT2DR | 08 | RW | | 48 | | ASC12CR0 | 88 | RW | | C8 | |
| PRT2IE | 09 | RW | | 49 | | ASC12CR1 | 89 | RW | | C9 | |
| PRT2GS | 0A | RW | | 4A | | ASC12CR2 | 8A | RW | | CA | |
| PRT2DM2 | 0B | RW | | 4B | | ASC12CR3 | 8B | RW | | CB | |
| PRT3DR | 0C | RW | | 4C | | ASD13CR0 | 8C | RW | | CC | |
| PRT3IE | 0D | RW | | 4D | | ASD13CR1 | 8D | RW | | CD | |
| PRT3GS | 0E | RW | | 4E | | ASD13CR2 | 8E | RW | | CE | |
| PRT3DM2 | 0F | RW | | 4F | | ASD13CR3 | 8F | RW | | CF | |
| PRT4DR | 10 | RW | | 50 | | ASD20CR0 | 90 | RW | | D0 | |
| PRT4IE | 11 | RW | | 51 | | ASD20CR1 | 91 | RW | | D1 | |
| PRT4GS | 12 | RW | | 52 | | ASD20CR2 | 92 | RW | | D2 | |
| PRT4DM2 | 13 | RW | | 53 | | ASD20CR3 | 93 | RW | | D3 | |
| PRT5DR | 14 | RW | | 54 | | ASC21CR0 | 94 | RW | | D4 | |
| PRT5IE | 15 | RW | | 55 | | ASC21CR1 | 95 | RW | | D5 | |
| PRT5GS | 16 | RW | | 56 | | ASC21CR2 | 96 | RW | I2C_CFG | D6 | RW |
| PRT5DM2 | 17 | RW | | 57 | | ASC21CR3 | 97 | RW | I2C_SCR | D7 | # |
| | 18 | | | 58 | | ASD22CR0 | 98 | RW | I2C_DR | D8 | RW |
| | 19 | | | 59 | | ASD22CR1 | 99 | RW | I2C_MSCR | D9 | # |
| | 1A | | | 5A | | ASD22CR2 | 9A | RW | INT_CLR0 | DA | RW |
| | 1B | | | 5B | | ASD22CR3 | 9B | RW | INT_CLR1 | DB | RW |
| | 1C | | | 5C | | ASC23CR0 | 9C | RW | | DC | |
| | 1D | | | 5D | | ASC23CR1 | 9D | RW | INT_CLR3 | DD | RW |
| | 1E | | | 5E | | ASC23CR2 | 9E | RW | INT_MSK3 | DE | RW |
| | 1F | | | 5F | | ASC23CR3 | 9F | RW | | DF | |
| DBB00DR0 | 20 | # | AMX_IN | 60 | RW | | A0 | | INT_MSK0 | E0 | RW |
| DBB00DR1 | 21 | W | | 61 | | | A1 | | INT_MSK1 | E1 | RW |
| DBB00DR2 | 22 | RW | | 62 | | | A2 | | INT_VC | E2 | RC |
| DBB00CR0 | 23 | # | ARF_CR | 63 | RW | | A3 | | RES_WDT | E3 | W |
| DBB01DR0 | 24 | # | CMP_CR0 | 64 | # | | A4 | | DEC_DH | E4 | RC |
| DBB01DR1 | 25 | W | ASY_CR | 65 | # | | A5 | | DEC_DL | E5 | RC |
| DBB01DR2 | 26 | RW | CMP_CR1 | 66 | RW | | A6 | | DEC_CR0 | E6 | RW |
| DBB01CR0 | 27 | # | | 67 | | | A7 | | DEC_CR1 | E7 | RW |
| DCB02DR0 | 28 | # | | 68 | | | A8 | | MUL_X | E8 | W |
| DCB02DR1 | 29 | W | | 69 | | | A9 | | MUL_Y | E9 | W |
| DCB02DR2 | 2A | RW | | 6A | | | AA | | MUL_DH | EA | R |
| DCB02CR0 | 2B | # | | 6B | | | AB | | MUL_DL | EB | R |
| DCB03DR0 | 2C | # | | 6C | | | AC | | ACC_DR1 | EC | RW |
| DCB03DR1 | 2D | W | | 6D | | | AD | | ACC_DR0 | ED | RW |
| DCB03DR2 | 2E | RW | | 6E | | | AE | | ACC_DR3 | EE | RW |
| DCB03CR0 | 2F | # | | 6F | | | AF | | ACC_DR2 | EF | RW |
| DBB10DR0 | 30 | # | ACB00CR3 | 70 | RW | RD10RI | B0 | RW | | F0 | |
| DBB10DR1 | 31 | W | ACB00CR0 | 71 | RW | RD10SYN | B1 | RW | | F1 | |
| DBB10DR2 | 32 | RW | ACB00CR1 | 72 | RW | RD10IS | B2 | RW | | F2 | |
| DBB10CR0 | 33 | # | ACB00CR2 | 73 | RW | RD10LT0 | B3 | RW | | F3 | |
| DBB11DR0 | 34 | # | ACB01CR3 | 74 | RW | RD10LT1 | B4 | RW | | F4 | |
| DBB11DR1 | 35 | W | ACB01CR0 | 75 | RW | RD10RO0 | B5 | RW | | F5 | |
| DBB11DR2 | 36 | RW | ACB01CR1 | 76 | RW | RD10RO1 | B6 | RW | | F6 | |
| DBB11CR0 | 37 | # | ACB01CR2 | 77 | RW | | B7 | | CPU_F | F7 | RL |
| DCB12DR0 | 38 | # | ACB02CR3 | 78 | RW | RD11RI | B8 | RW | | F8 | |
| DCB12DR1 | 39 | W | ACB02CR0 | 79 | RW | RD11SYN | B9 | RW | | F9 | |
| DCB12DR2 | 3A | RW | ACB02CR1 | 7A | RW | RD11IS | BA | RW | | FA | |
| DCB12CR0 | 3B | # | ACB02CR2 | 7B | RW | RD11LT0 | BB | RW | | FB | |
| DCB13DR0 | 3C | # | ACB03CR3 | 7C | RW | RD11LT1 | BC | RW | | FC | |
| DCB13DR1 | 3D | W | ACB03CR0 | 7D | RW | RD11RO0 | BD | RW | | FD | |
| DCB13DR2 | 3E | RW | ACB03CR1 | 7E | RW | RD11RO1 | BE | RW | CPU_SCR1 | FE | # |
| DCB13CR0 | 3F | # | ACB03CR2 | 7F | RW | | BF | | CPU_SCR0 | FF | # |

Blank fields are Reserved and should not be accessed. # Access is bit specific.

Register Map Bank 1 Table: Configuration Space

| Name | Addr (1,Hex) | Access | Name | Addr (1,Hex) | Access | Name | Addr (1,Hex) | Access | Name | Addr (1,Hex) | Access |
|---------|--------------|--------|----------|--------------|--------|----------|--------------|--------|-----------|--------------|--------|
| PRT0DM0 | 00 | RW | | 40 | | ASC10CR0 | 80 | RW | | C0 | |
| PRT0DM1 | 01 | RW | | 41 | | ASC10CR1 | 81 | RW | | C1 | |
| PRT0IC0 | 02 | RW | | 42 | | ASC10CR2 | 82 | RW | | C2 | |
| PRT0IC1 | 03 | RW | | 43 | | ASC10CR3 | 83 | RW | | C3 | |
| PRT1DM0 | 04 | RW | | 44 | | ASD11CR0 | 84 | RW | | C4 | |
| PRT1DM1 | 05 | RW | | 45 | | ASD11CR1 | 85 | RW | | C5 | |
| PRT1IC0 | 06 | RW | | 46 | | ASD11CR2 | 86 | RW | | C6 | |
| PRT1IC1 | 07 | RW | | 47 | | ASD11CR3 | 87 | RW | | C7 | |
| PRT2DM0 | 08 | RW | | 48 | | ASC12CR0 | 88 | RW | | C8 | |
| PRT2DM1 | 09 | RW | | 49 | | ASC12CR1 | 89 | RW | | C9 | |
| PRT2IC0 | 0A | RW | | 4A | | ASC12CR2 | 8A | RW | | CA | |
| PRT2IC1 | 0B | RW | | 4B | | ASC12CR3 | 8B | RW | | CB | |
| PRT3DM0 | 0C | RW | | 4C | | ASD13CR0 | 8C | RW | | CC | |
| PRT3DM1 | 0D | RW | | 4D | | ASD13CR1 | 8D | RW | | CD | |
| PRT3IC0 | 0E | RW | | 4E | | ASD13CR2 | 8E | RW | | CE | |
| PRT3IC1 | 0F | RW | | 4F | | ASD13CR3 | 8F | RW | | CF | |
| PRT4DM0 | 10 | RW | | 50 | | ASD20CR0 | 90 | RW | GDI_O_IN | D0 | RW |
| PRT4DM1 | 11 | RW | | 51 | | ASD20CR1 | 91 | RW | GDI_E_IN | D1 | RW |
| PRT4IC0 | 12 | RW | | 52 | | ASD20CR2 | 92 | RW | GDI_O_OU | D2 | RW |
| PRT4IC1 | 13 | RW | | 53 | | ASD20CR3 | 93 | RW | GDI_E_OU | D3 | RW |
| PRT5DM0 | 14 | RW | | 54 | | ASC21CR0 | 94 | RW | | D4 | |
| PRT5DM1 | 15 | RW | | 55 | | ASC21CR1 | 95 | RW | | D5 | |
| PRT5IC0 | 16 | RW | | 56 | | ASC21CR2 | 96 | RW | | D6 | |
| PRT5IC1 | 17 | RW | | 57 | | ASC21CR3 | 97 | RW | | D7 | |
| | 18 | | | 58 | | ASD22CR0 | 98 | RW | | D8 | |
| | 19 | | | 59 | | ASD22CR1 | 99 | RW | | D9 | |
| | 1A | | | 5A | | ASD22CR2 | 9A | RW | | DA | |
| | 1B | | | 5B | | ASD22CR3 | 9B | RW | | DB | |
| | 1C | | | 5C | | ASC23CR0 | 9C | RW | | DC | |
| | 1D | | | 5D | | ASC23CR1 | 9D | RW | OSC_GO_EN | DD | RW |
| | 1E | | | 5E | | ASC23CR2 | 9E | RW | OSC_CR4 | DE | RW |
| | 1F | | | 5F | | ASC23CR3 | 9F | RW | OSC_CR3 | DF | RW |
| DBB00FN | 20 | RW | CLK_CR0 | 60 | RW | | A0 | | OSC_CR0 | E0 | RW |
| DBB00IN | 21 | RW | CLK_CR1 | 61 | RW | | A1 | | OSC_CR1 | E1 | RW |
| DBB00OU | 22 | RW | ABF_CR0 | 62 | RW | | A2 | | OSC_CR2 | E2 | RW |
| | 23 | | AMD_CR0 | 63 | RW | | A3 | | VLT_CR | E3 | RW |
| DBB01FN | 24 | RW | | 64 | | | A4 | | VLT_CMP | E4 | R |
| DBB01IN | 25 | RW | | 65 | | | A5 | | | E5 | |
| DBB01OU | 26 | RW | AMD_CR1 | 66 | RW | | A6 | | | E6 | |
| | 27 | | ALT_CR0 | 67 | RW | | A7 | | | E7 | |
| DCB02FN | 28 | RW | ALT_CR1 | 68 | RW | | A8 | | IMO_TR | E8 | W |
| DCB02IN | 29 | RW | CLK_CR2 | 69 | RW | | A9 | | ILO_TR | E9 | W |
| DCB02OU | 2A | RW | | 6A | | | AA | | BDG_TR | EA | RW |
| | 2B | | | 6B | | | AB | | ECO_TR | EB | W |
| DCB03FN | 2C | RW | | 6C | | | AC | | | EC | |
| DCB03IN | 2D | RW | | 6D | | | AD | | | ED | |
| DCB03OU | 2E | RW | | 6E | | | AE | | | EE | |
| | 2F | | | 6F | | | AF | | | EF | |
| DBB10FN | 30 | RW | ACB00CR3 | 70 | RW | RDI0RI | B0 | RW | | F0 | |
| DBB10IN | 31 | RW | ACB00CR0 | 71 | RW | RDI0SYN | B1 | RW | | F1 | |
| DBB10OU | 32 | RW | ACB00CR1 | 72 | RW | RDI0IS | B2 | RW | | F2 | |
| | 33 | | ACB00CR2 | 73 | RW | RDI0LT0 | B3 | RW | | F3 | |
| DBB11FN | 34 | RW | ACB01CR3 | 74 | RW | RDI0LT1 | B4 | RW | | F4 | |
| DBB11IN | 35 | RW | ACB01CR0 | 75 | RW | RDI0RO0 | B5 | RW | | F5 | |
| DBB11OU | 36 | RW | ACB01CR1 | 76 | RW | RDI0RO1 | B6 | RW | | F6 | |
| | 37 | | ACB01CR2 | 77 | RW | | B7 | | CPU_F | F7 | RL |
| DCB12FN | 38 | RW | ACB02CR3 | 78 | RW | RDI1RI | B8 | RW | | F8 | |
| DCB12IN | 39 | RW | ACB02CR0 | 79 | RW | RDI1SYN | B9 | RW | | F9 | |
| DCB12OU | 3A | RW | ACB02CR1 | 7A | RW | RDI1IS | BA | RW | | FA | |
| | 3B | | ACB02CR2 | 7B | RW | RDI1LT0 | BB | RW | | FB | |
| DCB13FN | 3C | RW | ACB03CR3 | 7C | RW | RDI1LT1 | BC | RW | | FC | |
| DCB13IN | 3D | RW | ACB03CR0 | 7D | RW | RDI1RO0 | BD | RW | | FD | |
| DCB13OU | 3E | RW | ACB03CR1 | 7E | RW | RDI1RO1 | BE | RW | CPU_SCR1 | FE | # |
| | 3F | | ACB03CR2 | 7F | RW | | BF | | CPU_SCR0 | FF | # |

Blank fields are Reserved and should not be accessed. # Access is bit specific.

3. Electrical Specifications



This chapter presents the DC and AC electrical specifications of the CY8C27x43 PSoC device. For the most up to date electrical specifications, confirm that you have the most recent data sheet by going to the web at <http://www.cypress.com/psoc>.

Specifications are valid for $-40^{\circ}\text{C} \leq T_A \leq 85^{\circ}\text{C}$ and $T_J \leq 100^{\circ}\text{C}$, except where noted. Specifications for devices running at greater than 12 MHz are valid for $-40^{\circ}\text{C} \leq T_A \leq 70^{\circ}\text{C}$ and $T_J \leq 82^{\circ}\text{C}$.

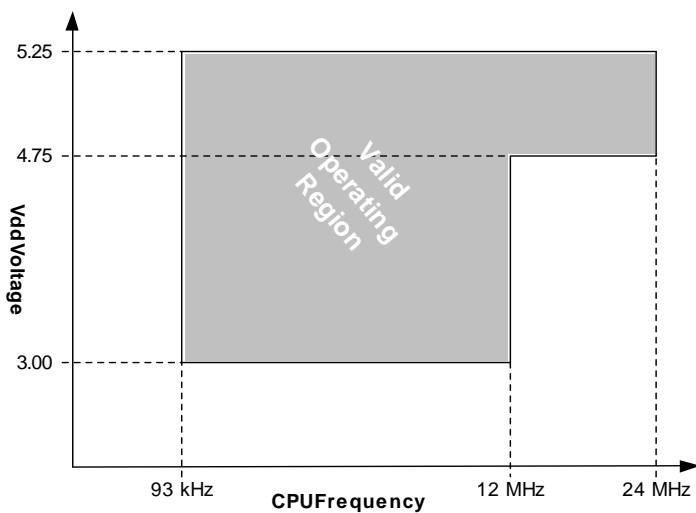


Figure 3-1. Voltage versus CPU Frequency

The following table lists the units of measure that are used in this chapter.

Table 3-1: Units of Measure

| Symbol | Unit of Measure | Symbol | Unit of Measure |
|--------|-----------------------------|--------|-------------------------------|
| °C | degree Celsius | μW | microwatts |
| dB | decibels | mA | milli-ampere |
| fF | femto farad | ms | milli-second |
| Hz | hertz | mV | milli-volts |
| KB | 1024 bytes | nA | nanoampere |
| Kbit | 1024 bits | ns | nanosecond |
| kHz | kilohertz | nV | nanovolts |
| kΩ | kilohm | Ω | ohm |
| MHz | megahertz | pA | picoampere |
| MΩ | megaohm | pF | picofarad |
| μA | microampere | pp | peak-to-peak |
| μF | microfarad | ppm | parts per million |
| μH | microhenry | ps | picosecond |
| μs | microsecond | sp/s | samples per second |
| μV | microvolts | σ | sigma: one standard deviation |
| μVrms | microvolts root-mean-square | V | volts |

3.1 Absolute Maximum Ratings

Table 3-2. Absolute Maximum Ratings

| Symbol | Description | Min | Typ | Max | Units | Notes |
|-------------------|---|-----------------------|-----|-----------------------|-------|---|
| T _{STG} | Storage Temperature | -55 | 25 | +100 | °C | Higher storage temperatures will reduce data retention time. Recommended storage temperature is +25°C ± 25°C. Extended duration storage temperatures above 65°C will degrade reliability. |
| T _A | Ambient Temperature with Power Applied | -40 | – | +85 | °C | |
| V _{dd} | Supply Voltage on V _{dd} Relative to V _{ss} | -0.5 | – | +6.0 | V | |
| V _{IO} | DC Input Voltage | V _{ss} - 0.5 | – | V _{dd} + 0.5 | V | |
| V _{IOZ} | DC Voltage Applied to Tri-state | V _{ss} - 0.5 | – | V _{dd} + 0.5 | V | |
| I _{MIO} | Maximum Current into any Port Pin | -25 | – | +50 | mA | |
| I _{MAIO} | Maximum Current into any Port Pin Configured as Analog Driver | -50 | – | +50 | mA | |
| ESD | Electro Static Discharge Voltage | 2000 | – | – | V | Human Body Model ESD. |
| LU | Latch-up Current | – | – | 200 | mA | |

3.2 Operating Temperature

Table 3-3. Operating Temperature

| Symbol | Description | Min | Typ | Max | Units | Notes |
|----------------|----------------------|-----|-----|------|-------|---|
| T _A | Ambient Temperature | -40 | – | +85 | °C | |
| T _J | Junction Temperature | -40 | – | +100 | °C | The temperature rise from ambient to junction is package specific. See “Thermal Impedances” on page 44 . The user must limit the power consumption to comply with this requirement. |

3.3 DC Electrical Characteristics

3.3.1 DC Chip-Level Specifications

The following table lists guaranteed maximum and minimum specifications for the voltage and temperature ranges: 4.75V to 5.25V and $-40^{\circ}\text{C} \leq T_A \leq 85^{\circ}\text{C}$, or 3.0V to 3.6V and $-40^{\circ}\text{C} \leq T_A \leq 85^{\circ}\text{C}$, respectively. Typical parameters apply to 5V and 3.3V at 25°C and are for design guidance only.

Table 3-4. DC Chip-Level Specifications

| Symbol | Description | Min | Typ | Max | Units | Notes |
|---------------------|--|-------|-------|-------|-------|---|
| V _{DD} | Supply Voltage | 3.00 | – | 5.25 | V | |
| I _{DD} | Supply Current | – | 5 | 8 | mA | Conditions are V _{DD} = 5.0V, T _A = 25 °C, CPU = 3 MHz, SYSCLOCK doubler disabled. VC1 = 1.5 MHz, VC2 = 93.75 kHz, VC3 = 93.75 kHz. |
| I _{DD3} | Supply Current | – | 3.3 | 6.0 | mA | Conditions are V _{DD} = 3.3V, T _A = 25 °C, CPU = 3 MHz, SYSCLOCK doubler disabled. VC1 = 1.5 MHz, VC2 = 93.75 kHz, VC3 = 93.75 kHz. |
| I _{SB} | Sleep (Mode) Current with POR, LVD, Sleep Timer, and WDT. ^a | – | 3 | 6.5 | μA | Conditions are with internal slow speed oscillator, V _{DD} = 3.3V, $-40^{\circ}\text{C} \leq T_A \leq 55^{\circ}\text{C}$. |
| I _{SBH} | Sleep (Mode) Current with POR, LVD, Sleep Timer, and WDT at high temperature. ^a | – | 4 | 25 | μA | Conditions are with internal slow speed oscillator, V _{DD} = 3.3V, $55^{\circ}\text{C} < T_A \leq 85^{\circ}\text{C}$. |
| I _{SBXTL} | Sleep (Mode) Current with POR, LVD, Sleep Timer, WDT, and external crystal. ^a | – | 4 | 7.5 | μA | Conditions are with properly loaded, 1 μW max, 32.768 kHz crystal. V _{DD} = 3.3V, $-40^{\circ}\text{C} \leq T_A \leq 55^{\circ}\text{C}$. |
| I _{SBXTLH} | Sleep (Mode) Current with POR, LVD, Sleep Timer, WDT, and external crystal at high temperature. ^a | – | 5 | 26 | μA | Conditions are with properly loaded, 1 μW max, 32.768 kHz crystal. V _{DD} = 3.3V, $55^{\circ}\text{C} < T_A \leq 85^{\circ}\text{C}$. |
| V _{REF} | Reference Voltage (Bandgap) for Silicon A ^b | 1.275 | 1.300 | 1.325 | V | Trimmed for appropriate V _{DD} . |
| V _{REF} | Reference Voltage (Bandgap) for Silicon B ^b | 1.280 | 1.300 | 1.320 | V | Trimmed for appropriate V _{DD} . |

- a. Standby current includes all functions (POR, LVD, WDT, Sleep Time) needed for reliable system operation. This should be compared with devices that have similar functions enabled.
- b. Refer to the [Ordering Information](#) chapter on page 48.

3.3.2 DC General Purpose IO Specifications

The following table lists guaranteed maximum and minimum specifications for the voltage and temperature ranges: 4.75V to 5.25V and $-40^{\circ}\text{C} \leq T_A \leq 85^{\circ}\text{C}$, or 3.0V to 3.6V and $-40^{\circ}\text{C} \leq T_A \leq 85^{\circ}\text{C}$, respectively. Typical parameters apply to 5V and 3.3V at 25°C and are for design guidance only.

Table 3-5. DC GPIO Specifications

| Symbol | Description | Min | Typ | Max | Units | Notes |
|------------------|-----------------------------------|-----------------------|-----|------|-------|--|
| R _{PU} | Pull up Resistor | 4 | 5.6 | 8 | kΩ | |
| R _{PD} | Pull down Resistor | 4 | 5.6 | 8 | kΩ | |
| V _{OH} | High Output Level | V _{DD} - 1.0 | – | – | V | I _{OH} = 10 mA, V _{DD} = 4.75 to 5.25V (8 total loads, 4 on even port pins (for example, P0[2], P1[4]), 4 on odd port pins (for example, P0[3], P1[5])). |
| V _{OL} | Low Output Level | – | – | 0.75 | V | I _{OL} = 25 mA, V _{DD} = 4.75 to 5.25V (8 total loads, 4 on even port pins (for example, P0[2], P1[4]), 4 on odd port pins (for example, P0[3], P1[5])). |
| V _{IL} | Input Low Level | – | – | 0.8 | V | V _{DD} = 3.0 to 5.25. |
| V _{IH} | Input High Level | 2.1 | – | – | V | V _{DD} = 3.0 to 5.25. |
| V _H | Input Hysteresis | – | 60 | – | mV | |
| I _{IL} | Input Leakage (Absolute Value) | – | 1 | – | nA | Gross tested to 1 μA. |
| C _{IN} | Capacitive Load on Pins as Input | – | 3.5 | 10 | pF | Package and pin dependent. Temp = 25°C. |
| C _{OUT} | Capacitive Load on Pins as Output | – | 3.5 | 10 | pF | Package and pin dependent. Temp = 25°C. |

3.3.3 DC Operational Amplifier Specifications

The following tables list guaranteed maximum and minimum specifications for the voltage and temperature ranges: 4.75V to 5.25V and $-40^{\circ}\text{C} \leq T_A \leq 85^{\circ}\text{C}$, or 3.0V to 3.6V and $-40^{\circ}\text{C} \leq T_A \leq 85^{\circ}\text{C}$, respectively. Typical parameters apply to 5V and 3.3V at 25°C and are for design guidance only.

The Operational Amplifier is a component of both the Analog Continuous Time PSoC blocks and the Analog Switched Cap PSoC blocks. The guaranteed specifications are measured in the Analog Continuous Time PSoC block. Typical parameters apply to 5V at 25°C and are for design guidance only.

Table 3-6. 5V DC Operational Amplifier Specifications

| Symbol | Description | Min | Typ | Max | Units | Notes |
|----------------------------|---|-----------|------|-----------|--------------------------------|---|
| V_{OSOA} | Input Offset Voltage (absolute value) | | | | | |
| | Power = Low, Opamp Bias = High | – | 1.6 | 10 | mV | |
| | Power = Medium, Opamp Bias = High | – | 1.3 | 8 | mV | |
| | Power = High, Opamp Bias = High | – | 1.2 | 7.5 | mV | |
| TCV_{OSOA} | Average Input Offset Voltage Drift | – | 7.0 | 35.0 | $\mu\text{V}/^{\circ}\text{C}$ | |
| I_{EBOA} | Input Leakage Current (Port 0 Analog Pins) | – | 20 | – | pA | Gross tested to 1 μA . |
| C_{INOA} | Input Capacitance (Port 0 Analog Pins) | – | 4.5 | 9.5 | pF | Package and pin dependent. Temp = 25°C . |
| V_{CMOA} | Common Mode Voltage Range | 0.0 | – | Vdd | V | The common-mode input voltage range is measured through an analog output buffer. The specification includes the limitations imposed by the characteristics of the analog output buffer. |
| | Common Mode Voltage Range (high power or high opamp bias) | 0.5 | – | Vdd - 0.5 | | |
| CMRR_{OA} | Common Mode Rejection Ratio | | – | – | dB | Specification is applicable at high power. For all other bias modes (except high power, high opamp bias), minimum is 60 dB. |
| | Power = Low | 60 | | | | |
| | Power = Medium | 60 | | | | |
| | Power = High | 60 | | | | |
| G_{OLOA} | Open Loop Gain | | – | – | dB | Specification is applicable at high power. For all other bias modes (except high power, high opamp bias), minimum is 60 dB. |
| | Power = Low | 60 | | | | |
| | Power = Medium | 60 | | | | |
| | Power = High | 80 | | | | |
| V_{OHIGHOA} | High Output Voltage Swing (internal signals) | | | | | |
| | Power = Low | Vdd - 0.2 | – | – | V | |
| | Power = Medium | Vdd - 0.2 | – | – | V | |
| | Power = High | Vdd - 0.5 | – | – | V | |
| V_{LOWOA} | Low Output Voltage Swing (internal signals) | | | | | |
| | Power = Low | – | – | 0.2 | V | |
| | Power = Medium | – | – | 0.2 | V | |
| | Power = High | – | – | 0.5 | V | |
| I_{SOA} | Supply Current (including associated AGND buffer) | | | | | |
| | Power = Low, Opamp Bias = Low | – | 150 | 200 | μA | |
| | Power = Low, Opamp Bias = High | – | 300 | 400 | μA | |
| | Power = Medium, Opamp Bias = Low | – | 600 | 800 | μA | |
| | Power = Medium, Opamp Bias = High | – | 1200 | 1600 | μA | |
| | Power = High, Opamp Bias = Low | – | 2400 | 3200 | μA | |
| | Power = High, Opamp Bias = High | – | 4600 | 6400 | μA | |
| PSRR_{OA} | Supply Voltage Rejection Ratio | 60 | – | – | dB | $V_{\text{SS}} \leq V_{\text{IN}} \leq (V_{\text{DD}} - 2.25)$ or $(V_{\text{DD}} - 1.25\text{V}) \leq V_{\text{IN}} \leq V_{\text{DD}}$. |

Table 3-7. 3.3V DC Operational Amplifier Specifications

| Symbol | Description | Min | Typ | Max | Units | Notes |
|-----------------------|---|-----------------------|------|-----------------------|-------|---|
| V _O SOA | Input Offset Voltage (absolute value) | | | | | |
| | Power = Low, Opamp Bias = High | – | 1.65 | 10 | mV | |
| | Power = Medium, Opamp Bias = High | – | 1.32 | 8 | mV | |
| | High Power is 5 Volts Only | | | | | |
| TCV _O SOA | Average Input Offset Voltage Drift | – | 7.0 | 35.0 | μV/°C | |
| I _E BOA | Input Leakage Current (Port 0 Analog Pins) | – | 20 | – | pA | Gross tested to 1 μA. |
| C _I NOA | Input Capacitance (Port 0 Analog Pins) | – | 4.5 | 9.5 | pF | Package and pin dependent. Temp = 25°C. |
| V _{CM} OA | Common Mode Voltage Range | 0.2 | – | V _{DD} - 0.2 | V | The common-mode input voltage range is measured through an analog output buffer. The specification includes the limitations imposed by the characteristics of the analog output buffer. |
| CMRR _{OA} | Common Mode Rejection Ratio | | – | – | dB | |
| | Power = Low | 50 | | | | |
| | Power = Medium | 50 | | | | |
| | Power = High | 50 | | | | Specification is applicable at high power. For all other bias modes (except high power, high opamp bias), minimum is 60 dB. |
| G _O LOA | Open Loop Gain | | – | – | dB | |
| | Power = Low | 60 | | | | |
| | Power = Medium | 60 | | | | |
| | Power = High | 80 | | | | Specification is applicable at high power. For all other bias modes (except high power, high opamp bias), minimum is 60 dB. |
| V _O HIGHOA | High Output Voltage Swing (internal signals) | | | | | |
| | Power = Low | V _{DD} - 0.2 | – | – | V | |
| | Power = Medium | V _{DD} - 0.2 | – | – | V | |
| | Power = High is 5V only | V _{DD} - 0.2 | – | – | V | |
| V _O LOWOA | Low Output Voltage Swing (internal signals) | | | | | |
| | Power = Low | – | – | 0.2 | V | |
| | Power = Medium | – | – | 0.2 | V | |
| | Power = High | – | – | 0.2 | V | |
| I _S OA | Supply Current (including associated AGND buffer) | | | | | |
| | Power = Low, Opamp Bias = Low | – | 150 | 200 | μA | |
| | Power = Low, Opamp Bias = High | – | 300 | 400 | μA | |
| | Power = Medium, Opamp Bias = Low | – | 600 | 800 | μA | |
| | Power = Medium, Opamp Bias = High | – | 1200 | 1600 | μA | |
| | Power = High, Opamp Bias = Low | – | 2400 | 3200 | μA | |
| | Power = High, Opamp Bias = High | – | 4600 | 6400 | μA | |
| PSRR _{OA} | Supply Voltage Rejection Ratio | 50 | 80 | – | dB | V _{SS} ≤ V _{IN} ≤ (V _{DD} - 2.25) or (V _{DD} - 1.25V) ≤ V _{IN} ≤ V _{DD} . |

3.3.4 DC Low Power Comparator Specifications

The following table lists guaranteed maximum and minimum specifications for the voltage and temperature ranges: 4.75V to 5.25V and -40°C ≤ T_A ≤ 85°C, 3.0V to 3.6V and -40°C ≤ T_A ≤ 85°C, or 2.4V to 3.0V and -40°C ≤ T_A ≤ 85°C, respectively. Typical parameters apply to 5V at 25°C and are for design guidance only.

Table 3-8. DC Low Power Comparator Specifications

| Symbol | Description | Min | Typ | Max | Units | Notes |
|----------------------|--|-----|-----|---------------------|-------|-------|
| V _{REF} LPC | Low power comparator (LPC) reference voltage range | 0.2 | – | V _{DD} - 1 | V | |
| I _S LPC | LPC supply current | – | 10 | 40 | μA | |
| V _O SLPC | LPC voltage offset | – | 2.5 | 30 | mV | |

3.3.5 DC Analog Output Buffer Specifications

The following tables list guaranteed maximum and minimum specifications for the voltage and temperature ranges: 4.75V to 5.25V and $-40^{\circ}\text{C} \leq T_A \leq 85^{\circ}\text{C}$, or 3.0V to 3.6V and $-40^{\circ}\text{C} \leq T_A \leq 85^{\circ}\text{C}$, respectively. Typical parameters apply to 5V and 3.3V at 25°C and are for design guidance only.

Table 3-9. 5V DC Analog Output Buffer Specifications

| Symbol | Description | Min | Typ | Max | Units | Notes |
|---------------|--|--|------------|--|--------------------------------|-------|
| V_{OSOB} | Input Offset Voltage (Absolute Value) | – | 3 | 12 | mV | |
| TCV_{OSOB} | Average Input Offset Voltage Drift | – | +6 | – | $\mu\text{V}/^{\circ}\text{C}$ | |
| V_{CMOB} | Common-Mode Input Voltage Range | 0.5 | – | $V_{DD} - 1.0$ | V | |
| R_{OUTOB} | Output Resistance Power = Low Power = High | – – | 1 1 | – – | Ω Ω | |
| $V_{OHIGHOB}$ | High Output Voltage Swing (Load = 32 ohms to $V_{DD}/2$) Power = Low Power = High | $0.5 \times V_{DD} + 1.3$ $0.5 \times V_{DD} + 1.3$ | – – | – – | V V | |
| V_{OLOWOB} | Low Output Voltage Swing (Load = 32 ohms to $V_{DD}/2$) Power = Low Power = High | – – | – – | $0.5 \times V_{DD} - 1.3$ $0.5 \times V_{DD} - 1.3$ | V V | |
| I_{SOB} | Supply Current Including Bias Cell (No Load) Power = Low Power = High | – – | 1.1 2.6 | 5.1 8.8 | mA mA | |
| $PSRR_{OB}$ | Supply Voltage Rejection Ratio | 60 | 64 | – | dB | |

Table 3-10. 3.3V DC Analog Output Buffer Specifications

| Symbol | Description | Min | Typ | Max | Units | Notes |
|---------------|--|--|------------|--|--------------------------------|-------|
| V_{OSOB} | Input Offset Voltage (Absolute Value) | – | 3 | 12 | mV | |
| TCV_{OSOB} | Average Input Offset Voltage Drift | – | +6 | – | $\mu\text{V}/^{\circ}\text{C}$ | |
| V_{CMOB} | Common-Mode Input Voltage Range | 0.5 | – | $V_{DD} - 1.0$ | V | |
| R_{OUTOB} | Output Resistance Power = Low Power = High | – – | 1 1 | – – | Ω Ω | |
| $V_{OHIGHOB}$ | High Output Voltage Swing (Load = 1k ohms to $V_{DD}/2$) Power = Low Power = High | $0.5 \times V_{DD} + 1.0$ $0.5 \times V_{DD} + 1.0$ | – – | – – | V V | |
| V_{OLOWOB} | Low Output Voltage Swing (Load = 1k ohms to $V_{DD}/2$) Power = Low Power = High | – – | – – | $0.5 \times V_{DD} - 1.0$ $0.5 \times V_{DD} - 1.0$ | V V | |
| I_{SOB} | Supply Current Including Bias Cell (No Load) Power = Low Power = High | – – | 0.8 2.0 | 2.0 4.3 | mA mA | |
| $PSRR_{OB}$ | Supply Voltage Rejection Ratio | 60 | 64 | – | dB | |

3.3.6 DC Switch Mode Pump Specifications

The following table lists guaranteed maximum and minimum specifications for the voltage and temperature ranges: 4.75V to 5.25V and $-40^{\circ}\text{C} \leq T_A \leq 85^{\circ}\text{C}$, or 3.0V to 3.6V and $-40^{\circ}\text{C} \leq T_A \leq 85^{\circ}\text{C}$, respectively. Typical parameters apply to 5V and 3.3V at 25°C and are for design guidance only.

Table 3-11. DC Switch Mode Pump (SMP) Specifications

| Symbol | Description | Min | Typ | Max | Units | Notes |
|---------------------------|---|------|------|------|---------|--|
| $V_{PUMP\ 5V}$ | 5V Output Voltage | 4.75 | 5.0 | 5.25 | V | Configuration of footnote. ^a Average, neglecting ripple. SMP trip voltage is set to 5.0V. |
| $V_{PUMP\ 3V}$ | 3V Output Voltage | 3.00 | 3.25 | 3.60 | V | Configuration of footnote. ^a Average, neglecting ripple. SMP trip voltage is set to 3.25V. |
| I_{PUMP} | Available Output Current $V_{BAT} = 1.5V, V_{PUMP} = 3.25V$ $V_{BAT} = 1.8V, V_{PUMP} = 5.0V$ | 8 | – | – | mA | Configuration of footnote. ^a SMP trip voltage is set to 3.25V. SMP trip voltage is set to 5.0V. |
| | | 5 | – | – | mA | |
| V_{BAT5V} | Input Voltage Range from Battery | 1.8 | – | 5.0 | V | Configuration of footnote. ^a SMP trip voltage is set to 5.0V. |
| V_{BAT3V} | Input Voltage Range from Battery | 1.0 | – | 3.3 | V | Configuration of footnote. ^a SMP trip voltage is set to 3.25V. |
| $V_{BATSTART}$ | Minimum Input Voltage from Battery to Start Pump | 1.1 | – | – | V | Configuration of footnote. ^a |
| ΔV_{PUMP_Line} | Line Regulation (over V_{BAT} range) | – | 5 | – | % V_O | Configuration of footnote. ^a V_O is the “Vdd Value for PUMP Trip” specified by the VM[2:0] setting in the DC POR and LVD Specification, Table 3-17 on page 28 . |
| ΔV_{PUMP_Load} | Load Regulation | – | 5 | – | % V_O | Configuration of footnote. ^a V_O is the “Vdd Value for PUMP Trip” specified by the VM[2:0] setting in the DC POR and LVD Specification, Table 3-17 on page 28 . |
| ΔV_{PUMP_Ripple} | Output Voltage Ripple (depends on capacitor/load) | – | 100 | – | mVpp | Configuration of footnote. ^a Load is 5mA. |
| E_3 | Efficiency | 35 | 50 | – | % | Configuration of footnote. ^a Load is 5 mA. SMP trip voltage is set to 3.25V. |
| F_{PUMP} | Switching Frequency | – | 1.3 | – | MHz | |
| DC_{PUMP} | Switching Duty Cycle | – | 50 | – | % | |

a. $L_1 = 2\ \mu\text{H}$ inductor, $C_1 = 10\ \mu\text{F}$ capacitor, $D_1 =$ Schottky diode. See Figure 3-2.

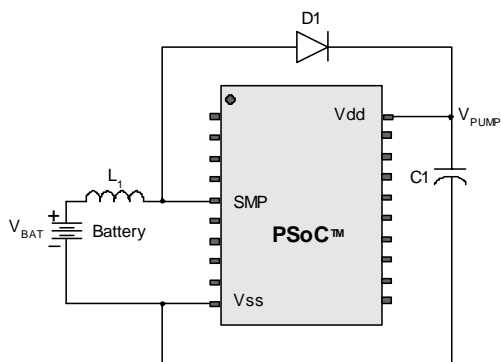


Figure 3-2. Basic Switch Mode Pump Circuit

3.3.7 DC Analog Reference Specifications

The following tables list guaranteed maximum and minimum specifications for the voltage and temperature ranges: 4.75V to 5.25V and $-40^{\circ}\text{C} \leq T_A \leq 85^{\circ}\text{C}$, or 3.0V to 3.6V and $-40^{\circ}\text{C} \leq T_A \leq 85^{\circ}\text{C}$, respectively. Typical parameters apply to 5V and 3.3V at 25°C and are for design guidance only.

The guaranteed specifications are measured through the Analog Continuous Time PSoC blocks. The power levels for AGND refer to the power of the Analog Continuous Time PSoC block. The power levels for RefHi and RefLo refer to the Analog Reference Control register. The limits stated for AGND include the offset error of the AGND buffer local to the Analog Continuous Time PSoC block. Reference control power is high.

Table 3-12. Silicon Revision A – 5V DC Analog Reference Specifications

| Symbol | Description | Min | Typ | Max | Units |
|--------|--|--------------------------------------|--------------------------------------|--------------------------------------|-------|
| BG | Bandgap Voltage Reference | 1.274 | 1.30 | 1.326 | V |
| – | AGND = $V_{dd}/2^a$ | $V_{dd}/2 - 0.030$ | $V_{dd}/2 - 0.004$ | $V_{dd}/2 + 0.003$ | V |
| – | AGND = $2 \times \text{BandGap}^a$ | $2 \times \text{BG} - 0.043$ | $2 \times \text{BG} - 0.010$ | $2 \times \text{BG} + 0.024$ | V |
| – | AGND = P2[4] ($P2[4] = V_{dd}/2$) ^a | $P2[4] - 0.013$ | P2[4] | $P2[4] + 0.014$ | V |
| – | AGND = BandGap^a | $\text{BG} - 0.009$ | BG | $\text{BG} + 0.009$ | V |
| – | AGND = $1.6 \times \text{BandGap}^a$ | $1.6 \times \text{BG} - 0.018$ | $1.6 \times \text{BG}$ | $1.6 \times \text{BG} + 0.018$ | V |
| – | AGND Block to Block Variation (AGND = $V_{dd}/2$) ^a | -0.034 | 0.000 | 0.034 | V |
| – | RefHi = $V_{dd}/2 + \text{BandGap}$ | $V_{dd}/2 + \text{BG} - 0.140$ | $V_{dd}/2 + \text{BG} - 0.018$ | $V_{dd}/2 + \text{BG} + 0.103$ | V |
| – | RefHi = $3 \times \text{BandGap}$ | $3 \times \text{BG} - 0.112$ | $3 \times \text{BG} - 0.018$ | $3 \times \text{BG} + 0.076$ | V |
| – | RefHi = $2 \times \text{BandGap} + P2[6]$ ($P2[6] = 1.3\text{V}$) | $2 \times \text{BG} + P2[6] - 0.113$ | $2 \times \text{BG} + P2[6] - 0.018$ | $2 \times \text{BG} + P2[6] + 0.077$ | V |
| – | RefHi = $P2[4] + \text{BandGap}$ ($P2[4] = V_{dd}/2$) | $P2[4] + \text{BG} - 0.130$ | $P2[4] + \text{BG} - 0.016$ | $P2[4] + \text{BG} + 0.098$ | V |
| – | RefHi = $P2[4] + P2[6]$ ($P2[4] = V_{dd}/2$, $P2[6] = 1.3\text{V}$) | $P2[4] + P2[6] - 0.133$ | $P2[4] + P2[6] - 0.016$ | $P2[4] + P2[6] + 0.100$ | V |
| – | RefHi = $3.2 \times \text{BandGap}$ | $3.2 \times \text{BG} - 0.112$ | $3.2 \times \text{BG}$ | $3.2 \times \text{BG} + 0.076$ | V |
| – | RefLo = $V_{dd}/2 - \text{BandGap}$ | $V_{dd}/2 - \text{BG} - 0.051$ | $V_{dd}/2 - \text{BG} + 0.024$ | $V_{dd}/2 - \text{BG} + 0.098$ | V |
| – | RefLo = BandGap | $\text{BG} - 0.082$ | $\text{BG} + 0.023$ | $\text{BG} + 0.129$ | V |
| – | RefLo = $2 \times \text{BandGap} - P2[6]$ ($P2[6] = 1.3\text{V}$) | $2 \times \text{BG} - P2[6] - 0.084$ | $2 \times \text{BG} - P2[6] + 0.025$ | $2 \times \text{BG} - P2[6] + 0.134$ | V |
| – | RefLo = $P2[4] - \text{BandGap}$ ($P2[4] = V_{dd}/2$) | $P2[4] - \text{BG} - 0.056$ | $P2[4] - \text{BG} + 0.026$ | $P2[4] - \text{BG} + 0.107$ | V |
| – | RefLo = $P2[4] - P2[6]$ ($P2[4] = V_{dd}/2$, $P2[6] = 1.3\text{V}$) | $P2[4] - P2[6] - 0.057$ | $P2[4] - P2[6] + 0.026$ | $P2[4] - P2[6] + 0.110$ | V |

a. AGND tolerance includes the offsets of the local buffer in the PSoC block.

Table 3-13. Silicon Revision B – 5V DC Analog Reference Specifications

| Symbol | Description | Min | Typ | Max | Units |
|--------|--|-------------------------------------|-------------------------------------|-------------------------------------|-------|
| BG | Bandgap Voltage Reference | 1.28 | 1.30 | 1.32 | V |
| – | AGND = $V_{dd}/2^a$ | $V_{dd}/2 - 0.030$ | $V_{dd}/2$ | $V_{dd}/2 + 0.007$ | V |
| – | AGND = $2 \times \text{BandGap}^a$ | $2 \times \text{BG} - 0.043$ | $2 \times \text{BG}$ | $2 \times \text{BG} + 0.024$ | V |
| – | AGND = P2[4] ($P2[4] = V_{dd}/2$) ^a | $P2[4] - 0.011$ | P2[4] | $P2[4] + 0.011$ | V |
| – | AGND = BandGap^a | $\text{BG} - 0.009$ | BG | $\text{BG} + 0.009$ | V |
| – | AGND = $1.6 \times \text{BandGap}^a$ | $1.6 \times \text{BG} - 0.018$ | $1.6 \times \text{BG}$ | $1.6 \times \text{BG} + 0.018$ | V |
| – | AGND Block to Block Variation (AGND = $V_{dd}/2$) ^a | -0.034 | 0.000 | 0.034 | V |
| – | RefHi = $V_{dd}/2 + \text{BandGap}$ | $V_{dd}/2 + \text{BG} - 0.1$ | $V_{dd}/2 + \text{BG} - 0.01$ | $V_{dd}/2 + \text{BG} + 0.1$ | V |
| – | RefHi = $3 \times \text{BandGap}$ | $3 \times \text{BG} - 0.06$ | $3 \times \text{BG} - 0.01$ | $3 \times \text{BG} + 0.06$ | V |
| – | RefHi = $2 \times \text{BandGap} + P2[6]$ ($P2[6] = 1.3\text{V}$) | $2 \times \text{BG} + P2[6] - 0.06$ | $2 \times \text{BG} + P2[6] - 0.01$ | $2 \times \text{BG} + P2[6] + 0.06$ | V |
| – | RefHi = $P2[4] + \text{BandGap}$ ($P2[4] = V_{dd}/2$) | $P2[4] + \text{BG} - 0.06$ | $P2[4] + \text{BG} - 0.01$ | $P2[4] + \text{BG} + 0.06$ | V |
| – | RefHi = $P2[4] + P2[6]$ ($P2[4] = V_{dd}/2$, $P2[6] = 1.3\text{V}$) | $P2[4] + P2[6] - 0.06$ | $P2[4] + P2[6] - 0.01$ | $P2[4] + P2[6] + 0.06$ | V |
| – | RefHi = $3.2 \times \text{BandGap}$ | $3.2 \times \text{BG} - 0.06$ | $3.2 \times \text{BG} - 0.01$ | $3.2 \times \text{BG} + 0.06$ | V |
| – | RefLo = $V_{dd}/2 - \text{BandGap}$ | $V_{dd}/2 - \text{BG} - 0.051$ | $V_{dd}/2 - \text{BG} + 0.01$ | $V_{dd}/2 - \text{BG} + 0.06$ | V |
| – | RefLo = BandGap | $\text{BG} - 0.06$ | $\text{BG} + 0.01$ | $\text{BG} + 0.06$ | V |
| – | RefLo = $2 \times \text{BandGap} - P2[6]$ ($P2[6] = 1.3\text{V}$) | $2 \times \text{BG} - P2[6] - 0.04$ | $2 \times \text{BG} - P2[6] + 0.01$ | $2 \times \text{BG} - P2[6] + 0.04$ | V |
| – | RefLo = $P2[4] - \text{BandGap}$ ($P2[4] = V_{dd}/2$) | $P2[4] - \text{BG} - 0.056$ | $P2[4] - \text{BG} + 0.01$ | $P2[4] - \text{BG} + 0.056$ | V |
| – | RefLo = $P2[4] - P2[6]$ ($P2[4] = V_{dd}/2$, $P2[6] = 1.3\text{V}$) | $P2[4] - P2[6] - 0.056$ | $P2[4] - P2[6] + 0.01$ | $P2[4] - P2[6] + 0.056$ | V |

a. AGND tolerance includes the offsets of the local buffer in the PSoC block.

Table 3-14. Silicon Revision A – 3.3V DC Analog Reference Specifications

| Symbol | Description | Min | Typ | Max | Units |
|--------|---|-----------------------|-----------------------|-----------------------|-------|
| BG | Bandgap Voltage Reference | 1.274 | 1.30 | 1.326 | V |
| – | AGND = Vdd/2 ^a | Vdd/2 - 0.027 | Vdd/2 - 0.003 | Vdd/2 + 0.002 | V |
| – | AGND = 2 x BandGap ^a | Not Allowed | | | |
| – | AGND = P2[4] (P2[4] = Vdd/2) | P2[4] - 0.008 | P2[4] + 0.001 | P2[4] + 0.009 | V |
| – | AGND = BandGap ^a | BG - 0.009 | BG | BG + 0.009 | V |
| – | AGND = 1.6 x BandGap ^a | 1.6 x BG - 0.018 | 1.6 x BG | 1.6 x BG + 0.018 | V |
| – | AGND Block to Block Variation (AGND = Vdd/2) ^a | -0.034 | 0.000 | 0.034 | V |
| – | RefHi = Vdd/2 + BandGap | Not Allowed | | | |
| – | RefHi = 3 x BandGap | Not Allowed | | | |
| – | RefHi = 2 x BandGap + P2[6] (P2[6] = 0.5V) | Not Allowed | | | |
| – | RefHi = P2[4] + BandGap (P2[4] = Vdd/2) | Not Allowed | | | |
| – | RefHi = P2[4] + P2[6] (P2[4] = Vdd/2, P2[6] = 0.5V) | P2[4] + P2[6] - 0.075 | P2[4] + P2[6] - 0.009 | P2[4] + P2[6] + 0.057 | V |
| – | RefHi = 3.2 x BandGap | Not Allowed | | | |
| – | RefLo = Vdd/2 - BandGap | Not Allowed | | | |
| – | RefLo = BandGap | Not Allowed | | | |
| – | RefLo = 2 x BandGap - P2[6] (P2[6] = 0.5V) | Not Allowed | | | |
| – | RefLo = P2[4] - BandGap (P2[4] = Vdd/2) | Not Allowed | | | |
| – | RefLo = P2[4]-P2[6] (P2[4] = Vdd/2, P2[6] = 0.5V) | P2[4] - P2[6] - 0.048 | P2[4] - P2[6] + 0.022 | P2[4] - P2[6] + 0.092 | V |

a. AGND tolerance includes the offsets of the local buffer in the PSoC block.

Note See Application Note AN2012 "Adjusting PSoC Microcontroller Trims for Dual Voltage-Range Operation" for information on trimming for operation at 3.3V.

Table 3-15. Silicon Revision B – 3.3V DC Analog Reference Specifications

| Symbol | Description | Min | Typ | Max | Units |
|--------|---|-----------------------|----------------------|-----------------------|-------|
| BG | Bandgap Voltage Reference | 1.28 | 1.30 | 1.32 | V |
| – | AGND = Vdd/2 ^a | Vdd/2 - 0.027 | Vdd/2 | Vdd/2 + 0.005 | V |
| – | AGND = 2 x BandGap ^a | Not Allowed | | | |
| – | AGND = P2[4] (P2[4] = Vdd/2) | P2[4] - 0.008 | P2[4] | P2[4] + 0.009 | V |
| – | AGND = BandGap ^a | BG - 0.009 | BG | BG + 0.009 | V |
| – | AGND = 1.6 x BandGap ^a | 1.6 x BG - 0.018 | 1.6 x BG | 1.6 x BG + 0.018 | V |
| – | AGND Block to Block Variation (AGND = Vdd/2) ^a | -0.034 | 0.000 | 0.034 | mV |
| – | RefHi = Vdd/2 + BandGap | Not Allowed | | | |
| – | RefHi = 3 x BandGap | Not Allowed | | | |
| – | RefHi = 2 x BandGap + P2[6] (P2[6] = 0.5V) | Not Allowed | | | |
| – | RefHi = P2[4] + BandGap (P2[4] = Vdd/2) | Not Allowed | | | |
| – | RefHi = P2[4] + P2[6] (P2[4] = Vdd/2, P2[6] = 0.5V) | P2[4] + P2[6] - 0.06 | P2[4] + P2[6] - 0.01 | P2[4] + P2[6] + 0.057 | V |
| – | RefHi = 3.2 x BandGap | Not Allowed | | | |
| – | RefLo = Vdd/2 - BandGap | Not Allowed | | | |
| – | RefLo = BandGap | Not Allowed | | | |
| – | RefLo = 2 x BandGap - P2[6] (P2[6] = 0.5V) | Not Allowed | | | |
| – | RefLo = P2[4] - BandGap (P2[4] = Vdd/2) | Not Allowed | | | |
| – | RefLo = P2[4]-P2[6] (P2[4] = Vdd/2, P2[6] = 0.5V) | P2[4] - P2[6] - 0.048 | P2[4] - P2[6] + 0.01 | P2[4] - P2[6] + 0.048 | V |

a. AGND tolerance includes the offsets of the local buffer in the PSoC block.

Note See Application Note AN2012 "Adjusting PSoC Microcontroller Trims for Dual Voltage-Range Operation" for information on trimming for operation at 3.3V.

3.3.8 DC Analog PSoC Block Specifications

The following table lists guaranteed maximum and minimum specifications for the voltage and temperature ranges: 4.75V to 5.25V and $-40^{\circ}\text{C} \leq T_A \leq 85^{\circ}\text{C}$, or 3.0V to 3.6V and $-40^{\circ}\text{C} \leq T_A \leq 85^{\circ}\text{C}$, respectively. Typical parameters apply to 5V and 3.3V at 25°C and are for design guidance only.

Table 3-16. DC Analog PSoC Block Specifications

| Symbol | Description | Min | Typ | Max | Units | Notes |
|-----------------|---------------------------------------|-----|------|-----|-------|-------|
| R _{CT} | Resistor Unit Value (Continuous Time) | – | 12.2 | – | kΩ | |
| C _{SC} | Capacitor Unit Value (Switch Cap) | – | 80 | – | fF | |

3.3.9 DC POR and LVD Specifications

The following table lists guaranteed maximum and minimum specifications for the voltage and temperature ranges: 4.75V to 5.25V and $-40^{\circ}\text{C} \leq T_A \leq 85^{\circ}\text{C}$, or 3.0V to 3.6V and $-40^{\circ}\text{C} \leq T_A \leq 85^{\circ}\text{C}$, respectively. Typical parameters apply to 5V and 3.3V at 25°C and are for design guidance only.

Note The bits PORLEV and VM in the table below refer to bits in the VLT_CR register. See the *PSoC Mixed-Signal Array Technical Reference Manual* for more information on the VLT_CR register.

Table 3-17. DC POR and LVD Specifications

| Symbol | Description | Min | Typ | Max | Units | Notes |
|---------------------|--|------|------|-------------------|-------|--|
| V _{PPOR0R} | Vdd Value for PPOR Trip (positive ramp) PORLEV[1:0] = 00b | | 2.91 | | V | Vdd must be greater than or equal to 2.5V during startup, reset from the XRES pin, or reset from Watchdog. |
| V _{PPOR1R} | PORLEV[1:0] = 01b | – | 4.39 | – | V | |
| V _{PPOR2R} | PORLEV[1:0] = 10b | | 4.55 | | V | |
| V _{PPOR0} | Vdd Value for PPOR Trip (negative ramp) PORLEV[1:0] = 00b | | 2.82 | | V | |
| V _{PPOR1} | PORLEV[1:0] = 01b | – | 4.39 | – | V | |
| V _{PPOR2} | PORLEV[1:0] = 10b | | 4.55 | | V | |
| V _{PH0} | PPOR Hysteresis PORLEV[1:0] = 00b | – | 92 | – | mV | |
| V _{PH1} | PORLEV[1:0] = 01b | – | 0 | – | mV | |
| V _{PH2} | PORLEV[1:0] = 10b | – | 0 | – | mV | |
| V _{LVD0} | Vdd Value for LVD Trip VM[2:0] = 000b | 2.86 | 2.92 | 2.98 ^a | V | |
| V _{LVD1} | VM[2:0] = 001b | 2.96 | 3.02 | 3.08 | V | |
| V _{LVD2} | VM[2:0] = 010b | 3.07 | 3.13 | 3.20 | V | |
| V _{LVD3} | VM[2:0] = 011b | 3.92 | 4.00 | 4.08 | V | |
| V _{LVD4} | VM[2:0] = 100b | 4.39 | 4.48 | 4.57 | V | |
| V _{LVD5} | VM[2:0] = 101b | 4.55 | 4.64 | 4.74 ^b | V | |
| V _{LVD6} | VM[2:0] = 110b | 4.63 | 4.73 | 4.82 | V | |
| V _{LVD7} | VM[2:0] = 111b | 4.72 | 4.81 | 4.91 | V | |
| V _{PUMP0} | Vdd Value for PUMP Trip VM[2:0] = 000b | 2.96 | 3.02 | 3.08 | V | |
| V _{PUMP1} | VM[2:0] = 001b | 3.03 | 3.10 | 3.16 | V | |
| V _{PUMP2} | VM[2:0] = 010b | 3.18 | 3.25 | 3.32 | V | |
| V _{PUMP3} | VM[2:0] = 011b | 4.11 | 4.19 | 4.28 | V | |
| V _{PUMP4} | VM[2:0] = 100b | 4.55 | 4.64 | 4.74 | V | |
| V _{PUMP5} | VM[2:0] = 101b | 4.63 | 4.73 | 4.82 | V | |
| V _{PUMP6} | VM[2:0] = 110b | 4.72 | 4.82 | 4.91 | V | |
| V _{PUMP7} | VM[2:0] = 111b | 4.90 | 5.00 | 5.10 | V | |

a. Always greater than 50 mV above PPOR (PORLEV = 00) for falling supply.

b. Always greater than 50 mV above PPOR (PORLEV = 10) for falling supply.

3.3.10 DC Programming Specifications

The following table lists guaranteed maximum and minimum specifications for the voltage and temperature ranges: 4.75V to 5.25V and $-40^{\circ}\text{C} \leq T_A \leq 85^{\circ}\text{C}$, or 3.0V to 3.6V and $-40^{\circ}\text{C} \leq T_A \leq 85^{\circ}\text{C}$, respectively. Typical parameters apply to 5V and 3.3V at 25°C and are for design guidance only.

Table 3-18. DC Programming Specifications

| Symbol | Description | Min | Typ | Max | Units | Notes |
|-----------------------|--|----------------|-----|-----------------|-------|--------------------------------------|
| I_{DDP} | Supply Current During Programming or Verify | – | 5 | 25 | mA | |
| V_{ILP} | Input Low Voltage During Programming or Verify | – | – | 0.8 | V | |
| V_{IHP} | Input High Voltage During Programming or Verify | 2.2 | – | – | V | |
| I_{ILP} | Input Current when Applying V_{ilp} to P1[0] or P1[1] During Programming or Verify | – | – | 0.2 | mA | Driving internal pull-down resistor. |
| I_{IHP} | Input Current when Applying V_{ihp} to P1[0] or P1[1] During Programming or Verify | – | – | 1.5 | mA | Driving internal pull-down resistor. |
| V_{OLV} | Output Low Voltage During Programming or Verify | – | – | $V_{SS} + 0.75$ | V | |
| V_{OHV} | Output High Voltage During Programming or Verify | $V_{DD} - 1.0$ | – | V_{DD} | V | |
| Flash _{ENPB} | Flash Endurance (per block) | 50,000 | – | – | – | Erase/write cycles per block. |
| Flash _{ENT} | Flash Endurance (total) ^a | 1,800,000 | – | – | – | Erase/write cycles. |
| Flash _{DR} | Flash Data Retention | 10 | – | – | Years | |

- a. A maximum of 36 x 50,000 block endurance cycles is allowed. This may be balanced between operations on 36x1 blocks of 50,000 maximum cycles each, 36x2 blocks of 25,000 maximum cycles each, or 36x4 blocks of 12,500 maximum cycles each (to limit the total number of cycles to 36x50,000 and that no single block ever sees more than 50,000 cycles).

For the full industrial range, the user must employ a temperature sensor user module (FlashTemp) and feed the result to the temperature argument before writing. Refer to the Flash APIs Application Note AN2015 at <http://www.cypress.com> under Application Notes for more information.

3.4 AC Electrical Characteristics

3.4.1 AC Chip-Level Specifications

The following table lists guaranteed maximum and minimum specifications for the voltage and temperature ranges: 4.75V to 5.25V and $-40^{\circ}\text{C} \leq T_A \leq 85^{\circ}\text{C}$, or 3.0V to 3.6V and $-40^{\circ}\text{C} \leq T_A \leq 85^{\circ}\text{C}$, respectively. Typical parameters apply to 5V and 3.3V at 25°C and are for design guidance only.

Table 3-19. AC Chip-Level Specifications

| Symbol | Description | Min | Typ | Max | Units | Notes |
|---------------------------|---|------|--------|-----------------------|-------|---|
| F _{IMO} | Internal Main Oscillator Frequency | 23.4 | 24 | 24.6 ^a | MHz | Trimmed. Utilizing factory trim values. |
| F _{CPU1} | CPU Frequency (5V Nominal) | 0.93 | 24 | 24.6 ^{a,b} | MHz | Trimmed. Utilizing factory trim values. |
| F _{CPU2} | CPU Frequency (3.3V Nominal) | 0.93 | 12 | 12.3 ^{b,c} | MHz | Trimmed. Utilizing factory trim values. |
| F _{48M} | Digital PSoC Block Frequency | 0 | 48 | 49.2 ^{a,b,d} | MHz | Refer to the AC Digital Block Specifications below. |
| F _{24M} | Digital PSoC Block Frequency | 0 | 24 | 24.6 ^{b,d} | MHz | |
| F _{32K1} | Internal Low Speed Oscillator Frequency | 15 | 32 | 64 | kHz | |
| F _{32K2} | External Crystal Oscillator | – | 32.768 | – | kHz | Accuracy is capacitor and crystal dependent. 50% duty cycle. |
| F _{PLL} | PLL Frequency | – | 23.986 | – | MHz | Multiple (x732) of crystal frequency. |
| Jitter24M2 | 24 MHz Period Jitter (PLL) | – | – | 600 | ps | |
| T _{PLLSLEW} | PLL Lock Time | 0.5 | – | 10 | ms | |
| T _{PLLSLEWS-LOW} | PLL Lock Time for Low Gain Setting | 0.5 | – | 50 | ms | |
| T _{OS} | External Crystal Oscillator Startup to 1% | – | 1700 | 2620 | ms | |
| T _{OSACC} | External Crystal Oscillator Startup to 100 ppm | – | 2800 | 3800 | ms | The crystal oscillator frequency is within 100 ppm of its final value by the end of the T _{OSACC} period. Correct operation assumes a properly loaded 1 uW maximum drive level 32.768 kHz crystal. 3.0V ≤ V _{DD} ≤ 5.5V, -40 °C ≤ T _A ≤ 85 °C. |
| Jitter32k | 32 kHz Period Jitter | – | 100 | – | ns | |
| T _{XRST} | External Reset Pulse Width | 10 | – | – | μs | |
| DC24M | 24 MHz Duty Cycle | 40 | 50 | 60 | % | |
| Step24M | 24 MHz Trim Step Size | – | 50 | – | kHz | |
| F _{out48M} | 48 MHz Output Frequency | 46.8 | 48.0 | 49.2 ^{a,c} | MHz | Trimmed. Utilizing factory trim values. |
| Jitter24M1 | 24 MHz Period Jitter (IMO) | – | 600 | – | ps | |
| F _{MAX} | Maximum frequency of signal on row input or row output. | – | – | 12.3 | MHz | |
| T _{RAMP} | Supply Ramp Time | 0 | – | – | μs | |

- 4.75V < V_{DD} < 5.25V.
- Accuracy derived from Internal Main Oscillator with appropriate trim for V_{DD} range.
- 3.0V < V_{DD} < 3.6V. See Application Note AN2012 "Adjusting PSoC Microcontroller Trims for Dual Voltage-Range Operation" for information on trimming for operation at 3.3V.
- See the individual user module data sheets for information on maximum frequencies for user modules.

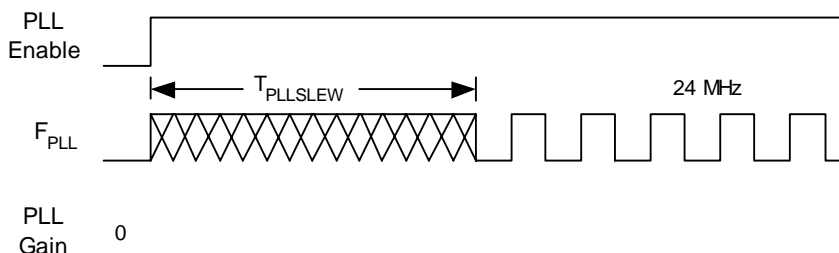


Figure 3-3. PLL Lock Timing Diagram

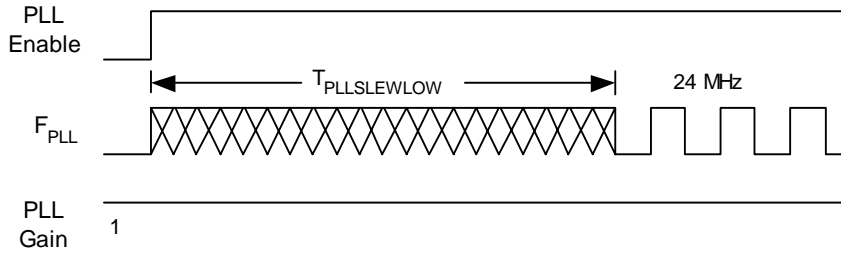


Figure 3-4. PLL Lock for Low Gain Setting Timing Diagram

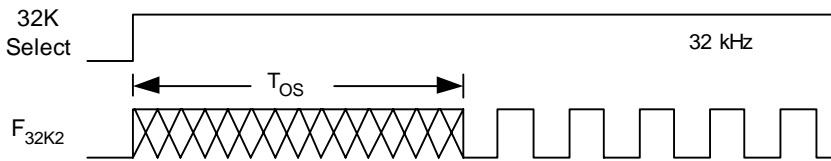


Figure 3-5. External Crystal Oscillator Startup Timing Diagram

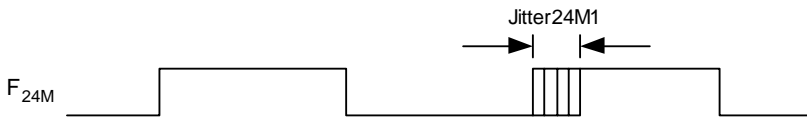


Figure 3-6. 24 MHz Period Jitter (IMO) Timing Diagram

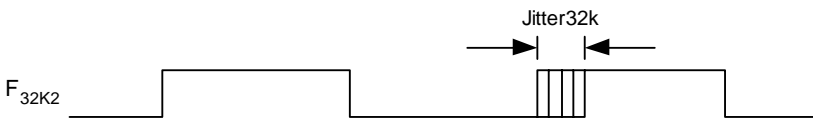


Figure 3-7. 32 kHz Period Jitter (ECO) Timing Diagram

3.4.2 AC General Purpose IO Specifications

The following table lists guaranteed maximum and minimum specifications for the voltage and temperature ranges: 4.75V to 5.25V and $-40^{\circ}\text{C} \leq T_A \leq 85^{\circ}\text{C}$, or 3.0V to 3.6V and $-40^{\circ}\text{C} \leq T_A \leq 85^{\circ}\text{C}$, respectively. Typical parameters apply to 5V and 3.3V at 25°C and are for design guidance only.

Table 3-20. AC GPIO Specifications

| Symbol | Description | Min | Typ | Max | Units | Notes |
|-------------|--|-----|-----|-----|-------|-------------------------------|
| F_{GPIO} | GPIO Operating Frequency | 0 | – | 12 | MHz | Normal Strong Mode |
| T_{RiseF} | Rise Time, Normal Strong Mode, Cload = 50 pF | 3 | – | 18 | ns | Vdd = 4.5 to 5.25V, 10% - 90% |
| T_{FallF} | Fall Time, Normal Strong Mode, Cload = 50 pF | 2 | – | 18 | ns | Vdd = 4.5 to 5.25V, 10% - 90% |
| T_{RiseS} | Rise Time, Slow Strong Mode, Cload = 50 pF | 10 | 27 | – | ns | Vdd = 3 to 5.25V, 10% - 90% |
| T_{FallS} | Fall Time, Slow Strong Mode, Cload = 50 pF | 10 | 22 | – | ns | Vdd = 3 to 5.25V, 10% - 90% |

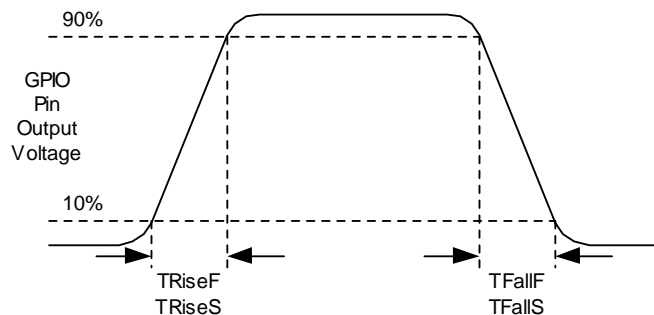


Figure 3-8. GPIO Timing Diagram

3.4.3 AC Operational Amplifier Specifications

The following tables list guaranteed maximum and minimum specifications for the voltage and temperature ranges: 4.75V to 5.25V and $-40^{\circ}\text{C} \leq T_A \leq 85^{\circ}\text{C}$, or 3.0V to 3.6V and $-40^{\circ}\text{C} \leq T_A \leq 85^{\circ}\text{C}$, respectively. Typical parameters apply to 5V and 3.3V at 25°C and are for design guidance only.

Settling times, slew rates, and gain bandwidth are based on the Analog Continuous Time PSoC block.

Power = High and Opamp Bias = High is not supported at 3.3V.

Table 3-21. 5V AC Operational Amplifier Specifications

| Symbol | Description | Min | Typ | Max | Units | Notes |
|-------------------|---|------|-----|------|------------------|-------|
| T _{ROA} | Rising Settling Time from 80% of ΔV to 0.1% of ΔV (10 pF load, Unity Gain) | | | | | |
| | Power = Low, Opamp Bias = Low | – | – | 3.9 | μs | |
| | Power = Medium, Opamp Bias = High | – | – | 0.72 | μs | |
| T _{SOA} | Falling Settling Time from 20% of ΔV to 0.1% of ΔV (10 pF load, Unity Gain) | | | | | |
| | Power = Low, Opamp Bias = Low | – | – | 5.9 | μs | |
| | Power = Medium, Opamp Bias = High | – | – | 0.92 | μs | |
| SR _{ROA} | Rising Slew Rate (20% to 80%)(10 pF load, Unity Gain) | | | | | |
| | Power = Low, Opamp Bias = Low | 0.15 | – | – | V/ μs | |
| | Power = Medium, Opamp Bias = High | 1.7 | – | – | V/ μs | |
| SR _{FOA} | Falling Slew Rate (20% to 80%)(10 pF load, Unity Gain) | | | | | |
| | Power = Low, Opamp Bias = Low | 0.01 | – | – | V/ μs | |
| | Power = Medium, Opamp Bias = High | 0.5 | – | – | V/ μs | |
| BW _{OA} | Gain Bandwidth Product | | | | | |
| | Power = Low, Opamp Bias = Low | 0.75 | – | – | MHz | |
| | Power = Medium, Opamp Bias = High | 3.1 | – | – | MHz | |
| E _{NOA} | Noise at 1 kHz (Power = Medium, Opamp Bias = High) | – | 100 | – | nV/rt-Hz | |

Table 3-22. 3.3V AC Operational Amplifier Specifications

| Symbol | Description | Min | Typ | Max | Units | Notes |
|-------------------|---|------|-----|------|------------------|-------|
| T _{ROA} | Rising Settling Time from 80% of ΔV to 0.1% of ΔV (10 pF load, Unity Gain) | | | | | |
| | Power = Low, Opamp Bias = Low | – | – | 3.92 | μs | |
| T _{SOA} | Falling Settling Time from 20% of ΔV to 0.1% of ΔV (10 pF load, Unity Gain) | | | | | |
| | Power = Low, Opamp Bias = Low | – | – | 5.41 | μs | |
| SR _{ROA} | Rising Slew Rate (20% to 80%)(10 pF load, Unity Gain) | | | | | |
| | Power = Low, Opamp Bias = Low | 0.31 | – | – | V/ μs | |
| SR _{FOA} | Falling Slew Rate (20% to 80%)(10 pF load, Unity Gain) | | | | | |
| | Power = Low, Opamp Bias = Low | 0.24 | – | – | V/ μs | |
| BW _{OA} | Gain Bandwidth Product | | | | | |
| | Power = Low, Opamp Bias = Low | 0.67 | – | – | MHz | |
| E _{NOA} | Noise at 1 kHz (Power = Medium, Opamp Bias = High) | – | 100 | – | nV/rt-Hz | |

When bypassed by a capacitor on P2[4], the noise of the analog ground signal distributed to each block is reduced by a factor of up to 5 (14 dB). This is at frequencies above the corner frequency defined by the on-chip 8.1k resistance and the external capacitor.

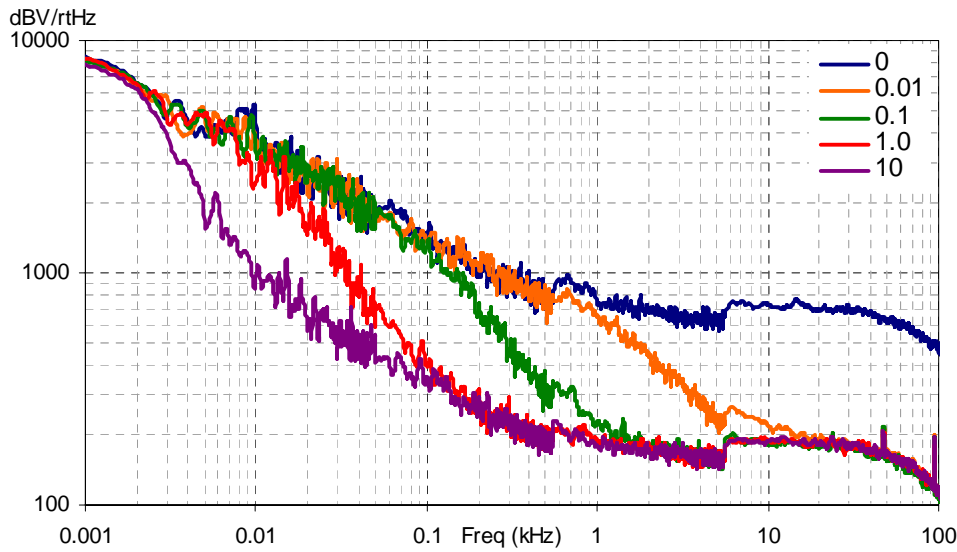


Figure 3-9. Typical AGND Noise with P2[4] Bypass

At low frequencies, the opamp noise is proportional to $1/f$, power independent, and determined by device geometry. At high frequencies, increased power level reduces the noise spectrum level.

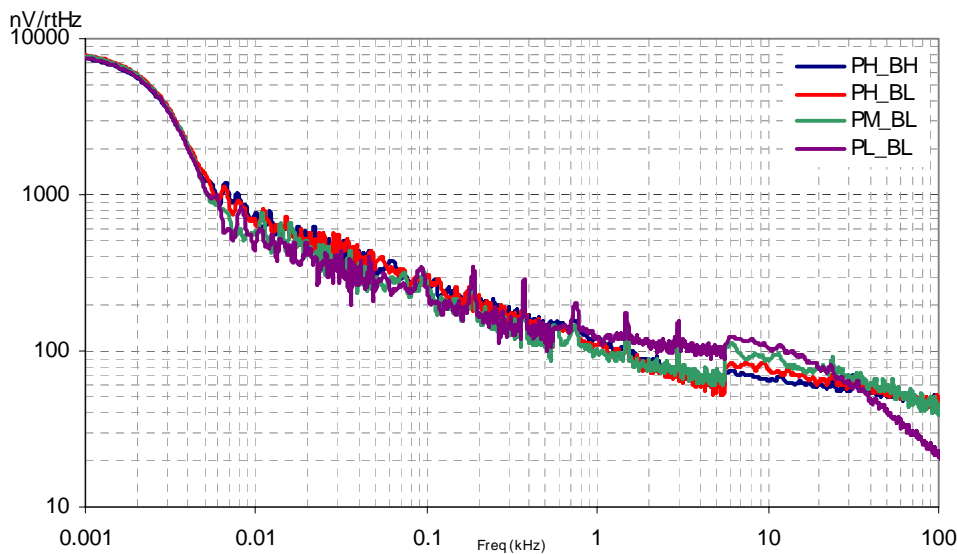


Figure 3-10. Typical Opamp Noise

3.4.4 AC Low Power Comparator Specifications

The following table lists guaranteed maximum and minimum specifications for the voltage and temperature ranges: 4.75V to 5.25V and $-40^{\circ}\text{C} \leq T_A \leq 85^{\circ}\text{C}$, 3.0V to 3.6V and $-40^{\circ}\text{C} \leq T_A \leq 85^{\circ}\text{C}$, or 2.4V to 3.0V and $-40^{\circ}\text{C} \leq T_A \leq 85^{\circ}\text{C}$, respectively. Typical parameters apply to 5V at 25°C and are for design guidance only.

Table 3-23. AC Low Power Comparator Specifications

| Symbol | Description | Min | Typ | Max | Units | Notes |
|------------|-------------------|-----|-----|-----|-------|--|
| T_{RLPC} | LPC response time | – | – | 50 | μs | ≥ 50 mV overdrive comparator reference set within V_{REFLPC} . |

3.4.5 AC Digital Block Specifications

The following table lists guaranteed maximum and minimum specifications for the voltage and temperature ranges: 4.75V to 5.25V and $-40^{\circ}\text{C} \leq T_A \leq 85^{\circ}\text{C}$, or 3.0V to 3.6V and $-40^{\circ}\text{C} \leq T_A \leq 85^{\circ}\text{C}$, respectively. Typical parameters apply to 5V and 3.3V at 25°C and are for design guidance only.

Table 3-24. AC Digital Block Specifications

| Function | Description | Min | Typ | Max | Units | Notes |
|-------------------|---|-----------------|-----|------|-------|---|
| All Functions | Maximum Block Clocking Frequency (> 4.75V) | | | 49.2 | | 4.75V < Vdd < 5.25V. |
| | Maximum Block Clocking Frequency (< 4.75V) | | | 24.6 | | 3.0V < Vdd < 4.75V. |
| Timer | Capture Pulse Width | 50 ^a | – | – | ns | |
| | Maximum Frequency, No Capture | – | – | 49.2 | MHz | 4.75V < Vdd < 5.25V. |
| | Maximum Frequency, With Capture | – | – | 24.6 | MHz | |
| Counter | Enable Pulse Width | 50 ^a | – | – | ns | |
| | Maximum Frequency, No Enable Input | – | – | 49.2 | MHz | 4.75V < Vdd < 5.25V. |
| | Maximum Frequency, Enable Input | – | – | 24.6 | MHz | |
| Dead Band | Kill Pulse Width: | | | | | |
| | Asynchronous Restart Mode | 20 | – | – | ns | |
| | Synchronous Restart Mode | 50 ^a | – | – | ns | |
| | Disable Mode | 50 ^a | – | – | ns | |
| | Maximum Frequency | – | – | 49.2 | MHz | 4.75V < Vdd < 5.25V. |
| CRCPRS (PRS Mode) | Maximum Input Clock Frequency | – | – | 49.2 | MHz | 4.75V < Vdd < 5.25V. |
| CRCPRS (CRC Mode) | Maximum Input Clock Frequency | – | – | 24.6 | MHz | |
| SPIM | Maximum Input Clock Frequency | – | – | 8.2 | MHz | Maximum data rate at 4.1 MHz due to 2 x over clocking. |
| SPIS | Maximum Input Clock Frequency | – | – | 4.1 | ns | |
| | Width of SS_ Negated Between Transmissions | 50 ^a | – | – | ns | |
| Transmitter | Maximum Input Clock Frequency ^b | | | | | |
| | Silicon A | – | – | 16.4 | MHz | Maximum data rate at 2.05 MHz due to 8 x over clocking. |
| | Silicon B | – | – | 24.6 | MHz | Maximum data rate at 3.08 MHz due to 8 x over clocking. |
| | Silicon B Maximum Input Clock Frequency with Vdd ≥ 4.75V, 2 Stop Bits | – | – | 49.2 | MHz | Maximum data rate at 6.15 MHz due to 8 x over clocking. |
| Receiver | Maximum Input Clock Frequency ^b | | | | | |
| | Silicon A | – | – | 16.4 | MHz | Maximum data rate at 2.05 MHz due to 8 x over clocking. |
| | Silicon B | – | – | 24.6 | MHz | Maximum data rate at 3.08 MHz due to 8 x over clocking. |
| | Silicon B Maximum Input Clock Frequency with Vdd ≥ 4.75V, 2 Stop Bits | – | – | 49.2 | MHz | Maximum data rate at 6.15 MHz due to 8 x over clocking. |

a. 50 ns minimum input pulse width is based on the input synchronizers running at 24 MHz (42 ns nominal period).

b. Refer to the [Ordering Information chapter on page 48](#).

3.4.6 AC Analog Output Buffer Specifications

The following tables list guaranteed maximum and minimum specifications for the voltage and temperature ranges: 4.75V to 5.25V and $-40^{\circ}\text{C} \leq T_A \leq 85^{\circ}\text{C}$, or 3.0V to 3.6V and $-40^{\circ}\text{C} \leq T_A \leq 85^{\circ}\text{C}$, respectively. Typical parameters apply to 5V and 3.3V at 25°C and are for design guidance only.

Table 3-25. 5V AC Analog Output Buffer Specifications

| Symbol | Description | Min | Typ | Max | Units | Notes |
|-------------------|---|------|-----|-----|-------|-------|
| T _{ROB} | Rising Settling Time to 0.1%, 1V Step, 100pF Load | | | | | |
| | Power = Low | – | – | 2.5 | μs | |
| | Power = High | – | – | 2.5 | μs | |
| T _{SOB} | Falling Settling Time to 0.1%, 1V Step, 100pF Load | | | | | |
| | Power = Low | – | – | 2.2 | μs | |
| | Power = High | – | – | 2.2 | μs | |
| SR _{ROB} | Rising Slew Rate (20% to 80%), 1V Step, 100pF Load | | | | | |
| | Power = Low | 0.65 | – | – | V/μs | |
| | Power = High | 0.65 | – | – | V/μs | |
| SR _{FOB} | Falling Slew Rate (80% to 20%), 1V Step, 100pF Load | | | | | |
| | Power = Low | 0.65 | – | – | V/μs | |
| | Power = High | 0.65 | – | – | V/μs | |
| BW _{OB} | Small Signal Bandwidth, 20mV _{pp} , 3dB BW, 100pF Load | | | | | |
| | Power = Low | 0.8 | – | – | MHz | |
| | Power = High | 0.8 | – | – | MHz | |
| BW _{OB} | Large Signal Bandwidth, 1V _{pp} , 3dB BW, 100pF Load | | | | | |
| | Power = Low | 300 | – | – | kHz | |
| | Power = High | 300 | – | – | kHz | |

Table 3-26. 3.3V AC Analog Output Buffer Specifications

| Symbol | Description | Min | Typ | Max | Units | Notes |
|-------------------|---|-----|-----|-----|-------|-------|
| T _{ROB} | Rising Settling Time to 0.1%, 1V Step, 100pF Load | | | | | |
| | Power = Low | – | – | 3.8 | μs | |
| | Power = High | – | – | 3.8 | μs | |
| T _{SOB} | Falling Settling Time to 0.1%, 1V Step, 100pF Load | | | | | |
| | Power = Low | – | – | 2.6 | μs | |
| | Power = High | – | – | 2.6 | μs | |
| SR _{ROB} | Rising Slew Rate (20% to 80%), 1V Step, 100pF Load | | | | | |
| | Power = Low | 0.5 | – | – | V/μs | |
| | Power = High | 0.5 | – | – | V/μs | |
| SR _{FOB} | Falling Slew Rate (80% to 20%), 1V Step, 100pF Load | | | | | |
| | Power = Low | 0.5 | – | – | V/μs | |
| | Power = High | 0.5 | – | – | V/μs | |
| BW _{OB} | Small Signal Bandwidth, 20mV _{pp} , 3dB BW, 100pF Load | | | | | |
| | Power = Low | 0.7 | – | – | MHz | |
| | Power = High | 0.7 | – | – | MHz | |
| BW _{OB} | Large Signal Bandwidth, 1V _{pp} , 3dB BW, 100pF Load | | | | | |
| | Power = Low | 200 | – | – | kHz | |
| | Power = High | 200 | – | – | kHz | |

3.4.7 AC External Clock Specifications

The following tables list guaranteed maximum and minimum specifications for the voltage and temperature ranges: 4.75V to 5.25V and $-40^{\circ}\text{C} \leq T_A \leq 85^{\circ}\text{C}$, or 3.0V to 3.6V and $-40^{\circ}\text{C} \leq T_A \leq 85^{\circ}\text{C}$, respectively. Typical parameters apply to 5V and 3.3V at 25°C and are for design guidance only.

Table 3-27. 5V AC External Clock Specifications

| Symbol | Description | Min | Typ | Max | Units | Notes |
|---------------------|------------------------|-------|-----|------|-------|-------|
| F _{OSCEXT} | Frequency | 0.093 | – | 24.6 | MHz | |
| – | High Period | 20.6 | – | 5300 | ns | |
| – | Low Period | 20.6 | – | – | ns | |
| – | Power Up IMO to Switch | 150 | – | – | μs | |

Table 3-28. 3.3V AC External Clock Specifications

| Symbol | Description | Min | Typ | Max | Units | Notes |
|---------------------|--|-------|-----|------|-------|-------|
| F _{OSCEXT} | Frequency with CPU Clock divide by 1 ^a | 0.093 | – | 12.3 | MHz | |
| F _{OSCEXT} | Frequency with CPU Clock divide by 2 or greater ^b | 0.186 | – | 24.6 | MHz | |
| – | High Period with CPU Clock divide by 1 | 41.7 | – | 5300 | ns | |
| – | Low Period with CPU Clock divide by 1 | 41.7 | – | – | ns | |
| – | Power Up IMO to Switch | 150 | – | – | μs | |

- Maximum CPU frequency is 12 MHz at 3.3V. With the CPU clock divider set to 1, the external clock must adhere to the maximum frequency and duty cycle requirements.
- If the frequency of the external clock is greater than 12 MHz, the CPU clock divider must be set to 2 or greater. In this case, the CPU clock divider will ensure that the fifty percent duty cycle requirement is met.

3.4.8 AC Programming Specifications

The following table lists guaranteed maximum and minimum specifications for the voltage and temperature ranges: 4.75V to 5.25V and $-40^{\circ}\text{C} \leq T_A \leq 85^{\circ}\text{C}$, or 3.0V to 3.6V and $-40^{\circ}\text{C} \leq T_A \leq 85^{\circ}\text{C}$, respectively. Typical parameters apply to 5V and 3.3V at 25°C and are for design guidance only.

Table 3-29. AC Programming Specifications

| Symbol | Description | Min | Typ | Max | Units | Notes |
|---------------------|--|-----|-----|-----|-------|-----------------------------|
| T _{RSCLK} | Rise Time of SCLK | 1 | – | 20 | ns | |
| T _{FSCLK} | Fall Time of SCLK | 1 | – | 20 | ns | |
| T _{SSCLK} | Data Set up Time to Falling Edge of SCLK | 40 | – | – | ns | |
| T _{HSCLK} | Data Hold Time from Falling Edge of SCLK | 40 | – | – | ns | |
| F _{SCLK} | Frequency of SCLK | 0 | – | 8 | MHz | |
| T _{ERASEB} | Flash Erase Time (Block) | – | 10 | – | ms | |
| T _{WRITE} | Flash Block Write Time | – | 10 | – | ms | |
| T _{DSCLK} | Data Out Delay from Falling Edge of SCLK | – | – | 45 | ns | V _{dd} > 3.6 |
| T _{DSCLK3} | Data Out Delay from Falling Edge of SCLK | – | – | 50 | ns | 3.0 ≤ V _{dd} ≤ 3.6 |

3.4.9 AC I²C Specifications

The following table lists guaranteed maximum and minimum specifications for the voltage and temperature ranges: 4.75V to 5.25V and $-40^{\circ}\text{C} \leq T_A \leq 85^{\circ}\text{C}$, or 3.0V to 3.6V and $-40^{\circ}\text{C} \leq T_A \leq 85^{\circ}\text{C}$, respectively. Typical parameters apply to 5V and 3.3V at 25°C and are for design guidance only.

Table 3-30. AC Characteristics of the I²C SDA and SCL Pins

| Symbol | Description | Standard Mode | | Fast Mode | | Units | Notes |
|-----------------|--|---------------|-----|------------------|-----|-------|-------|
| | | Min | Max | Min | Max | | |
| $F_{SCL I2C}$ | SCL Clock Frequency | 0 | 100 | 0 | 400 | kHz | |
| $T_{HDSTA I2C}$ | Hold Time (repeated) START Condition. After this period, the first clock pulse is generated. | 4.0 | – | 0.6 | – | μs | |
| $T_{LOW I2C}$ | LOW Period of the SCL Clock | 4.7 | – | 1.3 | – | μs | |
| $T_{HIGH I2C}$ | HIGH Period of the SCL Clock | 4.0 | – | 0.6 | – | μs | |
| $T_{SUSTA I2C}$ | Set-up Time for a Repeated START Condition | 4.7 | – | 0.6 | – | μs | |
| $T_{HDDAT I2C}$ | Data Hold Time | 0 | – | 0 | – | μs | |
| $T_{SUDAT I2C}$ | Data Set-up Time | 250 | – | 100 ^a | – | ns | |
| $T_{SUSTOI2C}$ | Set-up Time for STOP Condition | 4.0 | – | 0.6 | – | μs | |
| T_{BUFI2C} | Bus Free Time Between a STOP and START Condition | 4.7 | – | 1.3 | – | μs | |
| T_{SPI2C} | Pulse Width of spikes are suppressed by the input filter. | – | – | 0 | 50 | ns | |

a. A Fast-Mode I2C-bus device can be used in a Standard-Mode I2C-bus system, but the requirement $t_{SU, DAT} \geq 250$ ns must then be met. This will automatically be the case if the device does not stretch the LOW period of the SCL signal. If such device does stretch the LOW period of the SCL signal, it must output the next data bit to the SDA line $t_{rmax} + t_{SU, DAT} = 1000 + 250 = 1250$ ns (according to the Standard-Mode I2C-bus specification) before the SCL line is released.

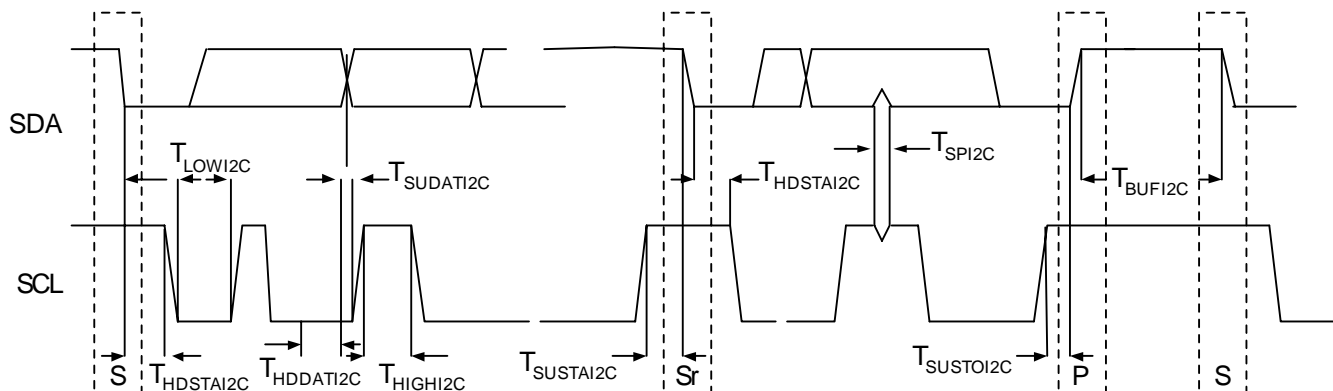


Figure 3-11. Definition for Timing for Fast/Standard Mode on the I²C Bus

4. Packaging Information



This chapter illustrates the packaging specifications for the CY8C27x43 PSoC device, along with the thermal impedances for each package and the typical package capacitance on crystal pins.

Important Note Emulation tools may require a larger area on the target PCB than the chip's footprint. For a detailed description of the emulation tools' dimensions, refer to the document titled *PSoC Emulator Pod Dimensions* at <http://www.cypress.com/design/MR10161>.

4.1 Packaging Dimensions

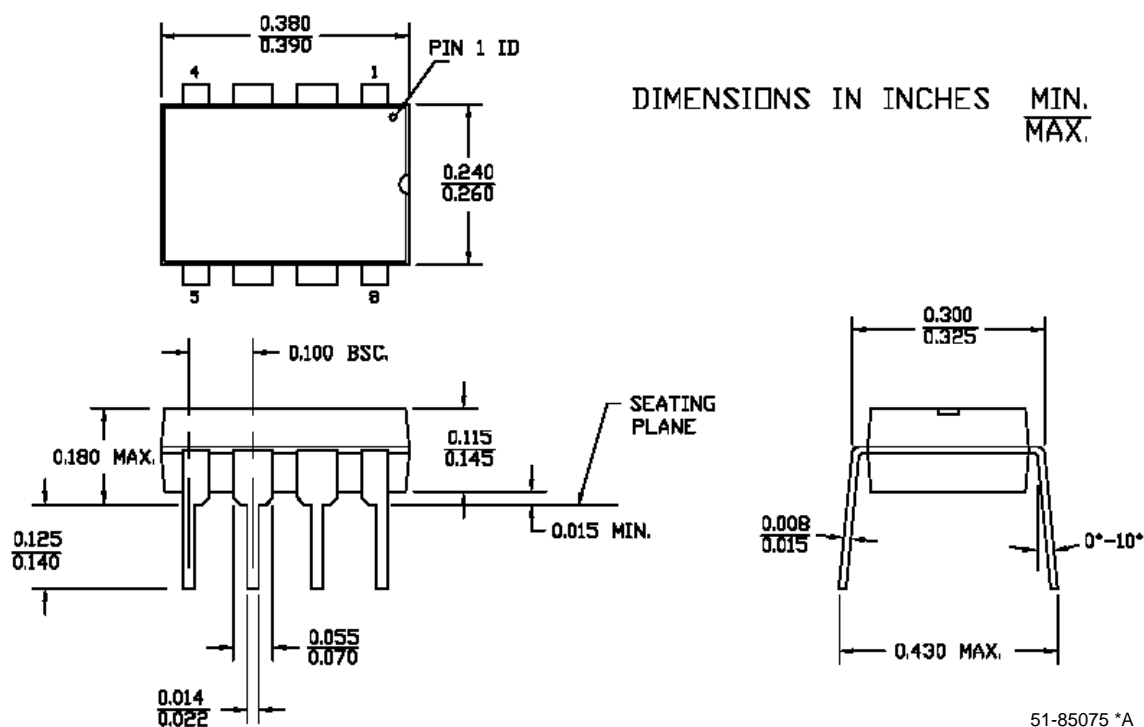


Figure 4-1. 8-Lead (300-Mil) PDIP

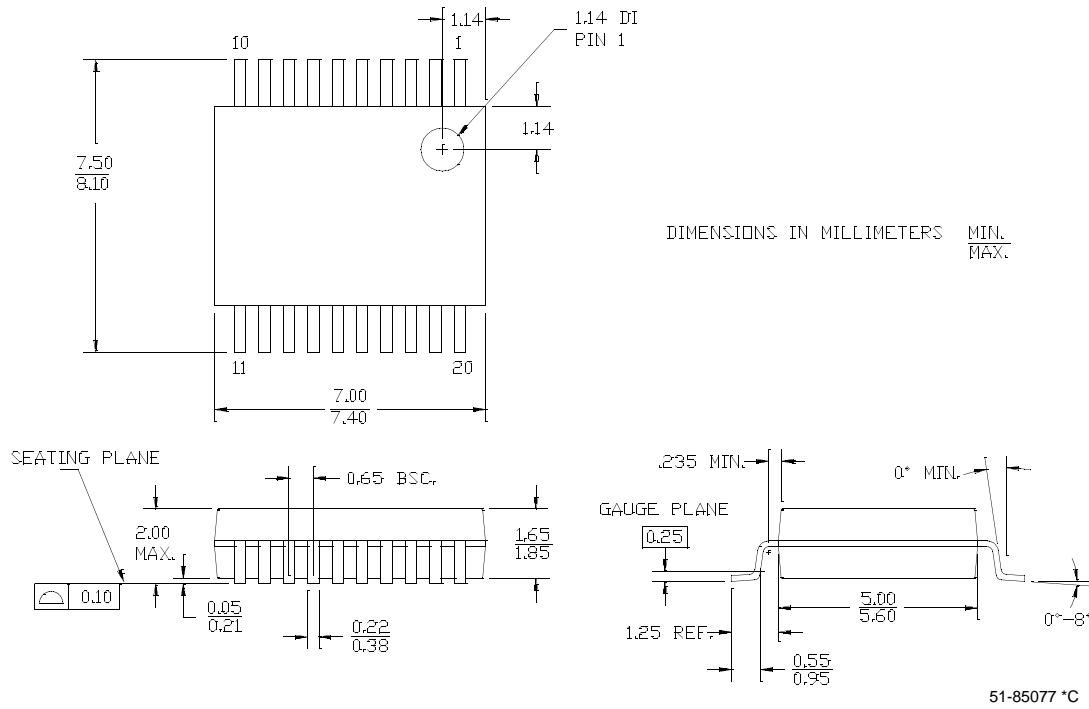


Figure 4-2. 20-Lead (210-Mil) SSOP

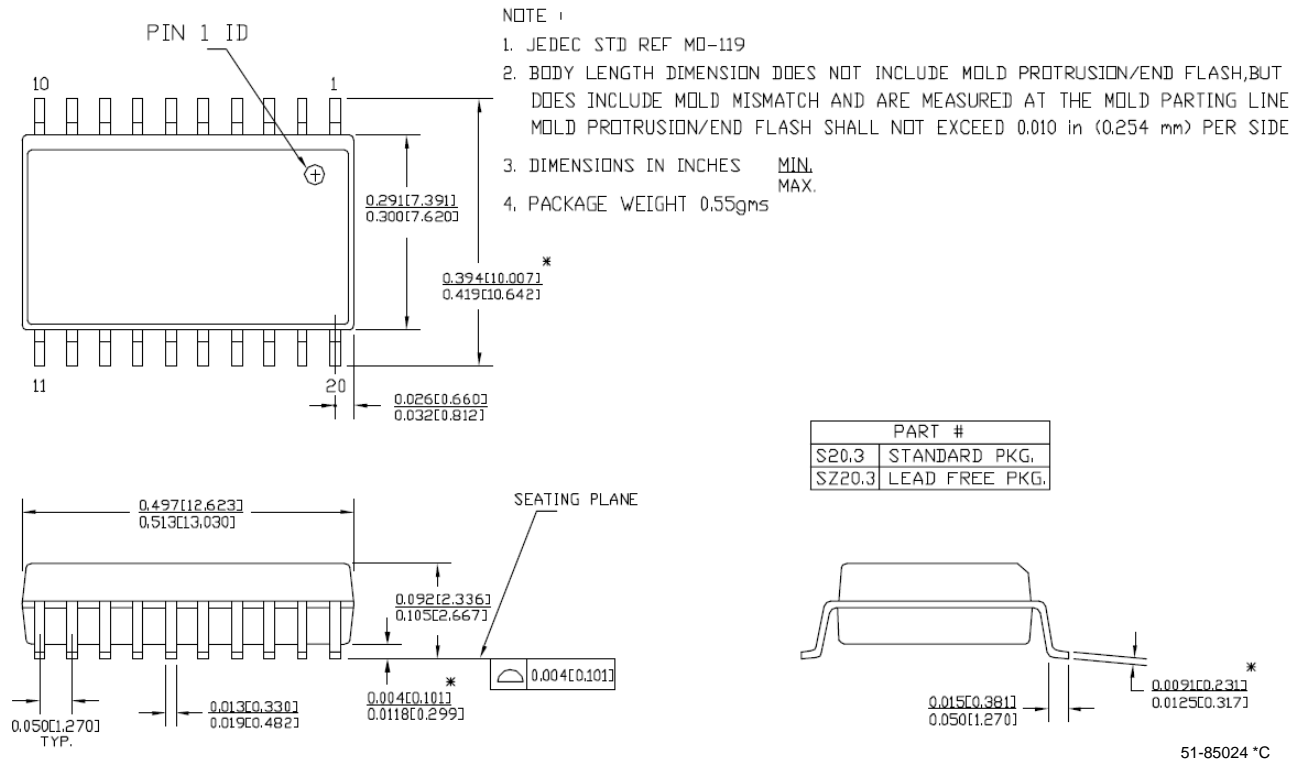


Figure 4-3. 20-Lead (300-Mil) Molded SOIC

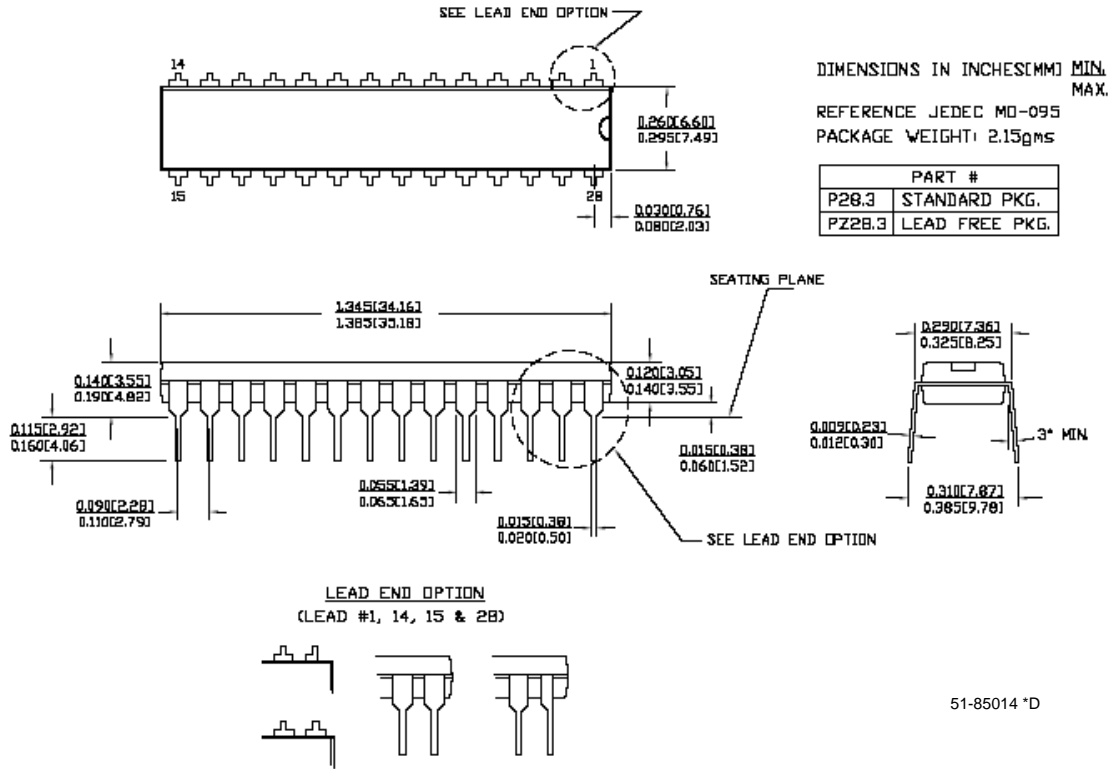


Figure 4-4. 28-Lead (300-Mil) Molded DIP

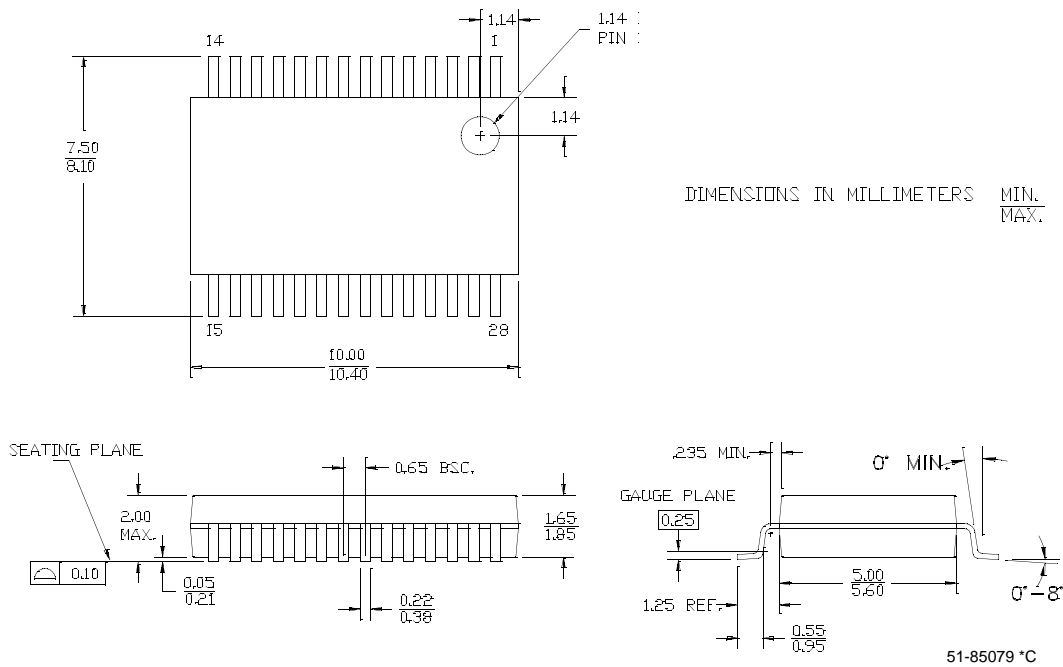


Figure 4-5. 28-Lead (210-Mil) SSOP

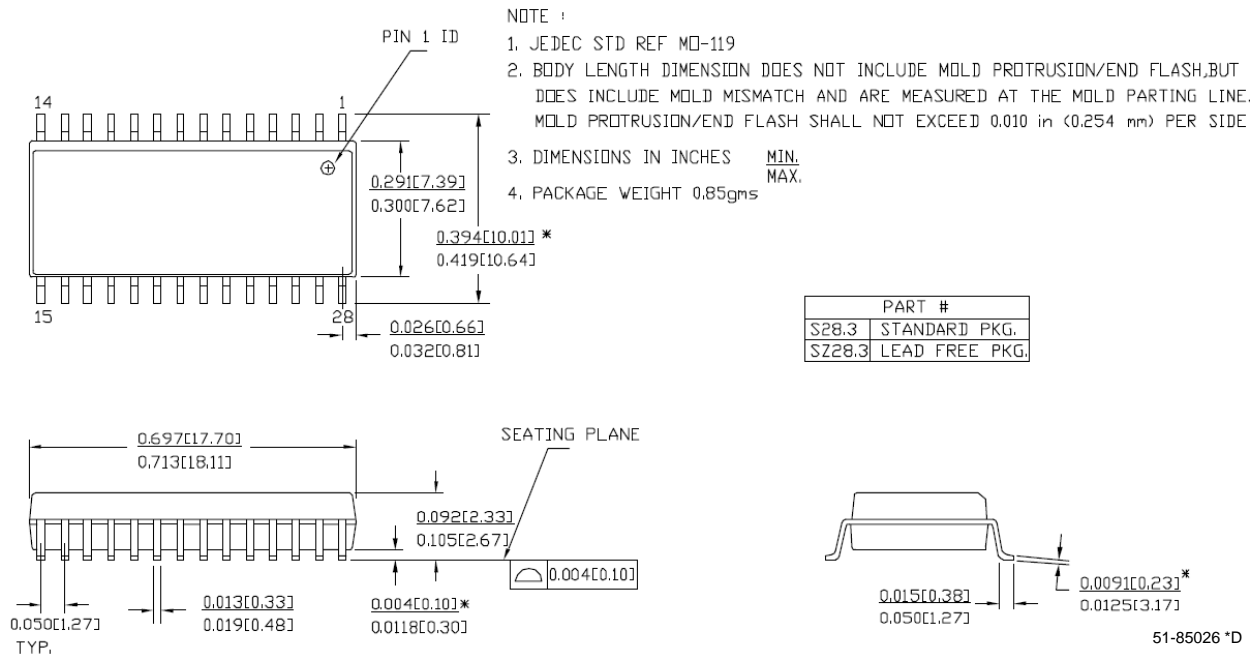


Figure 4-6. 28-Lead (300-Mil) Molded SOIC

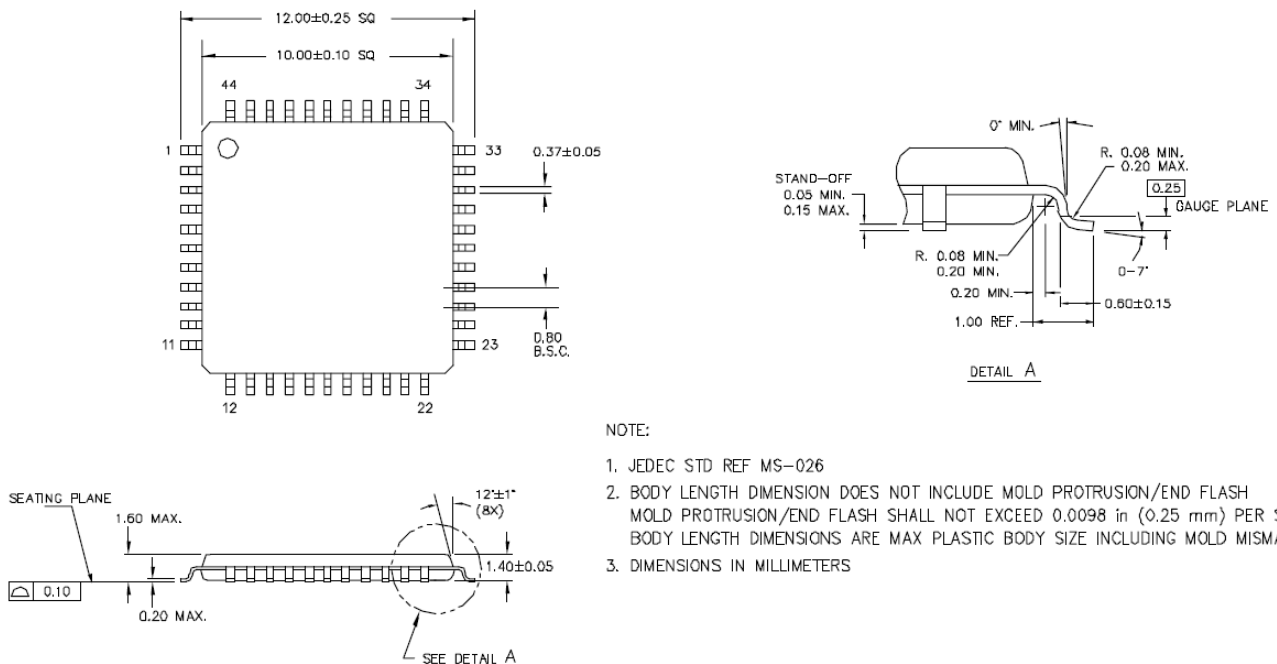


Figure 4-7. 44-Lead TQFP

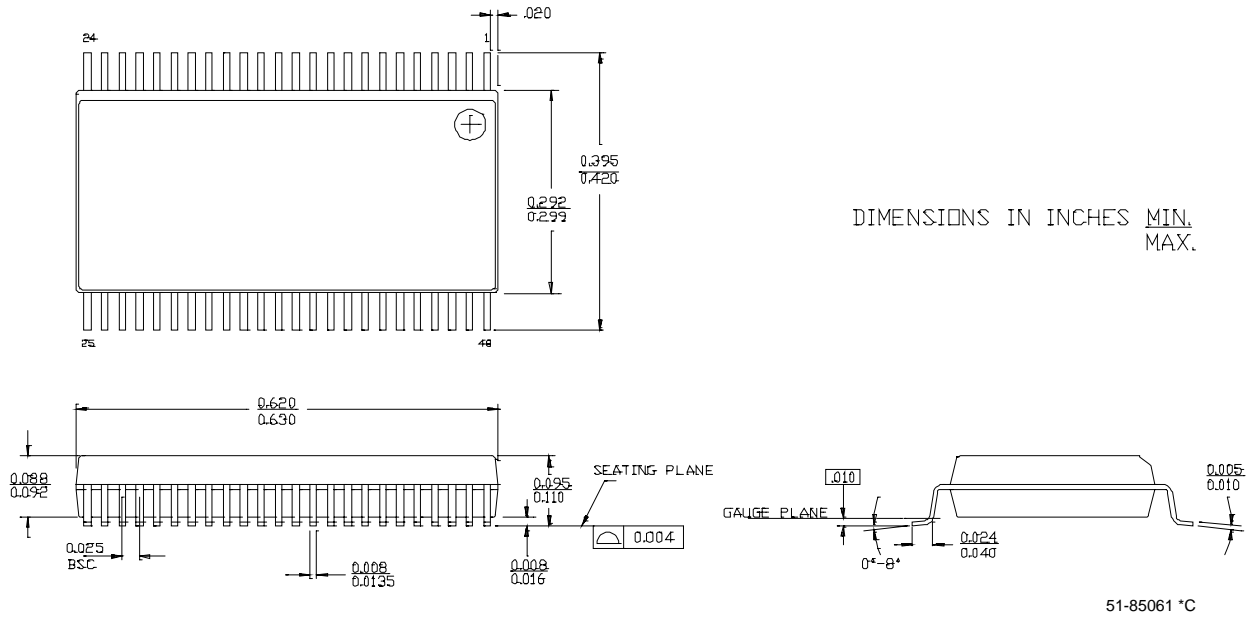


Figure 4-8. 48-Lead (300-Mil) SSOP

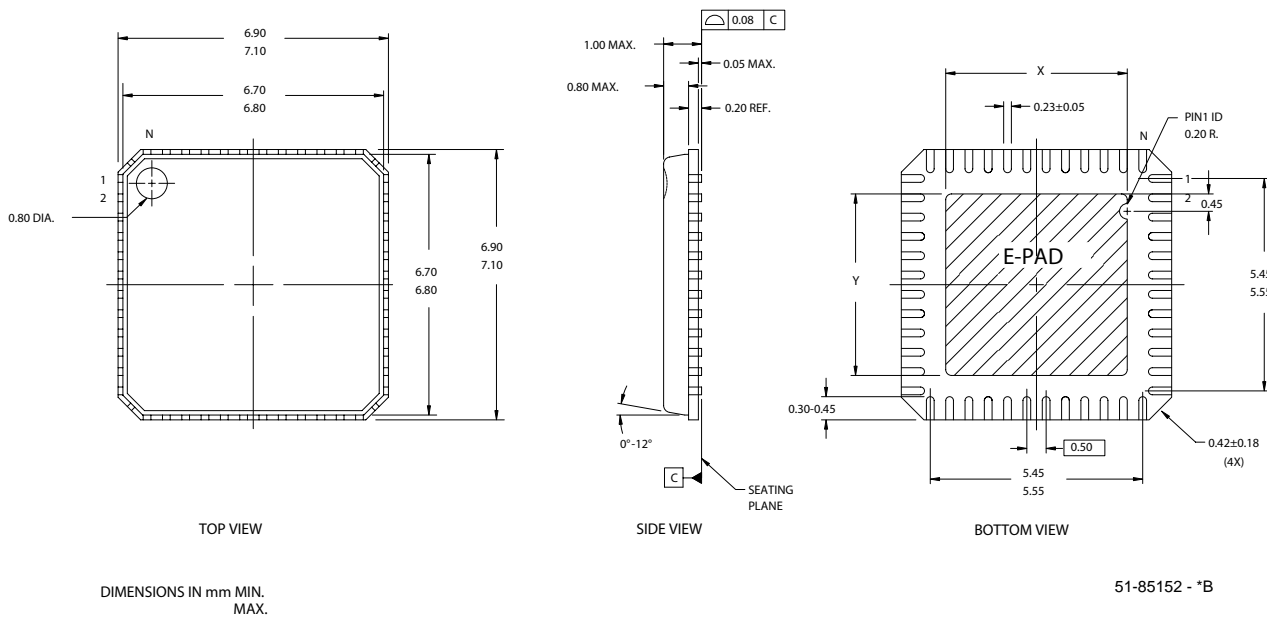


Figure 4-9. 48-Lead (7x7 mm) QFN

Important Note For information on the preferred dimensions for mounting QFN packages, see the following Application Note at http://www.amkor.com/products/notes_papers/MLFAppNote.pdf.

4.2 Thermal Impedances

Table 4-1. Thermal Impedances per Package

| Package | Typical θ_{JA} * |
|---------|-------------------------|
| 8 PDIP | 120 °C/W |
| 20 SSOP | 116 °C/W |
| 20 SOIC | 79 °C/W |
| 28 PDIP | 67 °C/W |
| 28 SSOP | 95 °C/W |
| 28 SOIC | 68 °C/W |
| 44 TQFP | 61 °C/W |
| 48 SSOP | 69 °C/W |
| 48 QFN | 18 °C/W |

* $T_J = T_A + \text{POWER} \times \theta_{JA}$

4.3 Capacitance on Crystal Pins

Table 4-2: Typical Package Capacitance on Crystal Pins

| Package | Package Capacitance |
|---------|---------------------|
| 8 PDIP | 2.8 pF |
| 20 SSOP | 2.6 pF |
| 20 SOIC | 2.5 pF |
| 28 PDIP | 3.5 pF |
| 28 SSOP | 2.8 pF |
| 28 SOIC | 2.7 pF |
| 44 TQFP | 2.6 pF |
| 48 SSOP | 3.3 pF |
| 48 QFN | 2.3 pF |

4.4 Solder Reflow Peak Temperature

Following is the minimum solder reflow peak temperature to achieve good solderability.

Table 4-3. Solder Reflow Peak Temperature

| Package | Silicon A* | | Silicon B* | |
|---------|----------------------------|--------------------------|---------------------------|--------------------------|
| | Minimum Peak Temperature** | Maximum Peak Temperature | Minimum Peak Temperature* | Maximum Peak Temperature |
| 8 PDIP | 220°C | 240°C | 240°C | 260°C |
| 20 SSOP | 220°C | 240°C | 240°C | 260°C |
| 20 SOIC | 220°C | 240°C | 220°C | 260°C |
| 28 PDIP | 220°C | 240°C | 240°C | 260°C |
| 28 SSOP | 220°C | 240°C | 240°C | 260°C |
| 28 SOIC | 220°C | 240°C | 220°C | 260°C |
| 44 TQFP | 220°C | 240°C | 220°C | 260°C |
| 48 SSOP | 220°C | 240°C | 220°C | 260°C |
| 48 QFN | 220°C | 240°C | 240°C | 260°C |

*Refer to the [Ordering Information chapter on page 48](#).

**Higher temperatures may be required based on the solder melting point. Typical temperatures for solder are 220 ± 5°C with Sn-Pb or 245 ± 5°C with Sn-Ag-Cu paste. Refer to the solder manufacturer specifications.

5. Development Tool Selection



This chapter presents the development tools available for all current PSoC device families including the CY8C27x43 family.

5.1 Software

5.1.1 PSoC Designer™

At the core of the PSoC development software suite is PSoC Designer. Utilized by thousands of PSoC developers, this robust software has been facilitating PSoC designs for half a decade. PSoC Designer is available free of charge at <http://www.cypress.com> under DESIGN RESOURCES >> Software and Drivers.

5.1.2 PSoC Express™

As the newest addition to the PSoC development software suite, PSoC Express is the first visual embedded system design tool that allows a user to create an entire PSoC project and generate a schematic, BOM, and data sheet without writing a single line of code. Users work directly with application objects such as LEDs, switches, sensors, and fans. PSoC Express is available free of charge at <http://www.cypress.com/psocexpress>.

5.1.3 PSoC Programmer

Flexible enough to be used on the bench in development, yet suitable for factory programming, PSoC Programmer works either as a standalone programming application or it can operate directly from PSoC Designer or PSoC Express. PSoC Programmer software is compatible with both PSoC ICE-Cube In-Circuit Emulator and PSoC MiniProg. PSoC programmer is available free of charge at <http://www.cypress.com/psocprogrammer>.

5.1.4 CY3202-C iMAGEcraft C Compiler

CY3202 is the optional upgrade to PSoC Designer that enables the iMAGEcraft C compiler. It can be purchased from the Cypress Online Store. At <http://www.cypress.com>, click the Online Store shopping cart icon at the bottom of the web page, and click *PSoC (Programmable System-on-Chip)* to view a current list of available items.

5.2 Development Kits

All development kits can be purchased from the Cypress Online Store.

5.2.1 CY3215-DK Basic Development Kit

The CY3215-DK is for prototyping and development with PSoC Designer. This kit supports in-circuit emulation and the software interface allows users to run, halt, and single step the processor and view the content of specific memory locations. Advance emulation features also supported through PSoC Designer. The kit includes:

- PSoC Designer Software CD
- ICE-Cube In-Circuit Emulator
- ICE Flex-Pod for CY8C29x66 Family
- Cat-5 Adapter
- Mini-Eval Programming Board
- 110 ~ 240V Power Supply, Euro-Plug Adapter
- iMAGEcraft C Compiler (Registration Required)
- ISSP Cable
- USB 2.0 Cable and Blue Cat-5 Cable
- 2 CY8C29466-24PXI 28-PDIP Chip Samples

5.2.2 CY3210-ExpressDK PSoC Express Development Kit

The CY3210-ExpressDK is for advanced prototyping and development with PSoC Express (may be used with ICE-Cube In-Circuit Emulator). It provides access to I²C buses, voltage reference, switches, upgradeable modules and more. The kit includes:

- PSoC Express Software CD
- Express Development Board
- 4 Fan Modules
- 2 Proto Modules
- MiniProg In-System Serial Programmer
- MiniEval PCB Evaluation Board
- Jumper Wire Kit
- USB 2.0 Cable
- Serial Cable (DB9)
- 110 ~ 240V Power Supply, Euro-Plug Adapter
- 2 CY8C24423A-24PXI 28-PDIP Chip Samples
- 2 CY8C27443-24PXI 28-PDIP Chip Samples
- 2 CY8C29466-24PXI 28-PDIP Chip Samples

5.3 Evaluation Tools

All evaluation tools can be purchased from the Cypress Online Store.

5.3.1 CY3210-MiniProg1

The CY3210-MiniProg1 kit allows a user to program PSoC devices via the MiniProg1 programming unit. The MiniProg is a small, compact prototyping programmer that connects to the PC via a provided USB 2.0 cable. The kit includes:

- MiniProg Programming Unit
- MiniEval Socket Programming and Evaluation Board
- 28-Pin CY8C29466-24PXI PDIP PSoC Device Sample
- 28-Pin CY8C27443-24PXI PDIP PSoC Device Sample
- PSoC Designer Software CD
- Getting Started Guide
- USB 2.0 Cable

5.3.2 CY3210-PSoCEval1

The CY3210-PSoCEval1 kit features an evaluation board and the MiniProg1 programming unit. The evaluation board includes an LCD module, potentiometer, LEDs, and plenty of breadboarding space to meet all of your evaluation needs. The kit includes:

- Evaluation Board with LCD Module
- MiniProg Programming Unit
- 28-Pin CY8C29466-24PXI PDIP PSoC Device Sample (2)
- PSoC Designer Software CD
- Getting Started Guide
- USB 2.0 Cable

5.3.3 CY3214-PSoCEvalUSB

The CY3214-PSoCEvalUSB evaluation kit features a development board for the CY8C24794-24LFXI PSoC device. Special features of the board include both USB and capacitive sensing development and debugging support. This evaluation board also includes an LCD module, potentiometer, LEDs, an enunciator and plenty of breadboarding space to meet all of your evaluation needs. The kit includes:

- PSoCEvalUSB Board
- LCD Module
- MiniProg Programming Unit
- Mini USB Cable
- PSoC Designer and Example Projects CD
- Getting Started Guide
- Wire Pack

5.4 Device Programmers

All device programmers can be purchased from the Cypress Online Store.

5.4.1 CY3216 Modular Programmer

The CY3216 Modular Programmer kit features a modular programmer and the MiniProg1 programming unit. The modular programmer includes three programming module cards and supports multiple Cypress products. The kit includes:

- Modular Programmer Base
- 3 Programming Module Cards
- MiniProg Programming Unit
- PSoC Designer Software CD
- Getting Started Guide
- USB 2.0 Cable

5.4.2 CY3207ISSP In-System Serial Programmer (ISSP)

The CY3207ISSP is a production programmer. It includes protection circuitry and an industrial case that is more robust than the MiniProg in a production-programming environment.

Note: CY3207ISSP needs special software and is not compatible with PSoC Programmer. The kit includes:

- CY3207 Programmer Unit
- PSoC ISSP Software CD
- 110 ~ 240V Power Supply, Euro-Plug Adapter
- USB 2.0 Cable

5.5 Accessories (Emulation and Programming)

Table 5-1. Emulation and Programming Accessories

| Part # | Pin Package | Flex-Pod Kit ^a | Foot Kit ^b | Adapter ^c |
|------------------|-------------|---------------------------|-----------------------|--|
| CY8C27143-24PXI | 8 PDIP | CY3250-27XXX | CY3250-8PDIP-FK | Adapters can be found at http://www.emulation.com . |
| CY8C27243-24PVXI | 20 SSOP | CY3250-27XXX | CY3250-20SSOP-FK | |
| CY8C27243-24SXI | 20 SOIC | CY3250-27XXX | CY3250-20SOIC-FK | |
| CY8C27443-24PXI | 28 PDIP | CY3250-27XXX | CY3250-28PDIP-FK | |
| CY8C27443-24PVXI | 28 SSOP | CY3250-27XXX | CY3250-28SSOP-FK | |
| CY8C27443-24SXI | 28 SOIC | CY3250-27XXX | CY3250-28SOIC-FK | |
| CY8C27543-24AXI | 44 TQFP | CY3250-27XXX | CY3250-44TQFP-FK | |
| CY8C27643-24PVXI | 48 SSOP | CY3250-27XXX | CY3250-48SSOP-FK | |
| CY8C27643-24LFXI | 48 QFN | CY3250-27XXXQFN | CY3250-48QFN-FK | |

- Flex-Pod kit includes a practice flex-pod and a practice PCB, in addition to two flex-pods.
- Foot kit includes surface mount feet that can be soldered to the target PCB.
- Programming adapter converts non-DIP package to DIP footprint. Specific details and ordering information for each of the adapters can be found at <http://www.emulation.com>.

5.6 3rd-Party Tools

Several tools have been specially designed by the following 3rd-party vendors to accompany PSoC devices during development and production. Specific details for each of these tools can be found at <http://www.cypress.com> under DESIGN RESOURCES >> Evaluation Boards.

5.7 Build a PSoC Emulator into Your Board

For details on how to emulate your circuit before going to volume production using an on-chip debug (OCD) non-production PSoC device, see Application Note “Debugging - Build a PSoC Emulator into Your Board - AN2323” at <http://www.cypress.com/an2323>.

6. Ordering Information



The following table lists the CY8C27x43 PSoC device's key package features and ordering codes.

Table 6-1. CY8C27x43 PSoC Device Key Features and Ordering Information

| Package | Ordering Code | Flash (Bytes) | RAM (Bytes) | Switch Mode Pump | Temperature Range | Digital Blocks (Rows of 4) | Analog Blocks (Columns of 3) | Digital IO Pins | Analog Inputs | Analog Outputs | XRES Pin |
|--|-------------------------------|---------------|-------------|------------------|-------------------|----------------------------|------------------------------|-----------------|---------------|----------------|----------|
| CY8C27x43 Silicon B – These parts are lead free and offer the following improvements. The DEC_CR1 register selections are enhanced to allow any digital block to be the decimator clock source, the ECO EX and ECO EXW bits in the CPU_SCR1 register are readable, and the accuracy of the analog reference is enhanced (see the Electrical Specifications chapter). All silicon A errata are fixed in silicon B. | | | | | | | | | | | |
| 8 Pin (300 Mil) DIP | CY8C27143-24PXI | 16K | 256 | No | -40C to +85C | 8 | 12 | 6 | 4 | 4 | No |
| 20 Pin (210 Mil) SSOP | CY8C27243-24PVXI | 16K | 256 | Yes | -40C to +85C | 8 | 12 | 16 | 8 | 4 | Yes |
| 20 Pin (210 Mil) SSOP (Tape and Reel) | CY8C27243-24PVXIT | 16K | 256 | Yes | -40C to +85C | 8 | 12 | 16 | 8 | 4 | Yes |
| 20 Pin (300 Mil) SOIC | CY8C27243-24SXI | 16K | 256 | Yes | -40C to +85C | 8 | 12 | 16 | 8 | 4 | Yes |
| 20 Pin 300 Mil) SOIC (Tape and Reel) | CY8C27243-24SXIT | 16K | 256 | Yes | -40C to +85C | 8 | 12 | 16 | 8 | 4 | Yes |
| 28 Pin (300 Mil) DIP | CY8C27443-24PXI | 16K | 256 | Yes | -40C to +85C | 8 | 12 | 24 | 12 | 4 | Yes |
| 28 Pin (210 Mil) SSOP | CY8C27443-24PVXI | 16K | 256 | Yes | -40C to +85C | 8 | 12 | 24 | 12 | 4 | Yes |
| 28 Pin (210 Mil) SSOP (Tape and Reel) | CY8C27443-24PVXIT | 16K | 256 | Yes | -40C to +85C | 8 | 12 | 24 | 12 | 4 | Yes |
| 28 Pin (300 Mil) SOIC | CY8C27443-24SXI | 16K | 256 | Yes | -40C to +85C | 8 | 12 | 24 | 12 | 4 | Yes |
| 28 Pin (300 Mil) SOIC (Tape and Reel) | CY8C27443-24SXIT | 16K | 256 | Yes | -40C to +85C | 8 | 12 | 24 | 12 | 4 | Yes |
| 44 Pin TQFP | CY8C27543-24AXI | 16K | 256 | Yes | -40C to +85C | 8 | 12 | 40 | 12 | 4 | Yes |
| 44 Pin TQFP (Tape and Reel) | CY8C27543-24AXIT | 16K | 256 | Yes | -40C to +85C | 8 | 12 | 40 | 12 | 4 | Yes |
| 48 Pin (300 Mil) SSOP | CY8C27643-24PVXI | 16K | 256 | Yes | -40C to +85C | 8 | 12 | 44 | 12 | 4 | Yes |
| 48 Pin (300 Mil) SSOP (Tape and Reel) | CY8C27643-24PVXIT | 16K | 256 | Yes | -40C to +85C | 8 | 12 | 44 | 12 | 4 | Yes |
| 48 Pin (7x7) QFN | CY8C27643-24LFXI | 16K | 256 | Yes | -40C to +85C | 8 | 12 | 44 | 12 | 4 | Yes |
| 48 Pin (7x7) QFN (Tape and Reel) | CY8C27643-24LFXIT | 16K | 256 | Yes | -40C to +85C | 8 | 12 | 44 | 12 | 4 | Yes |
| 56 Pin OCD SSOP | CY8C27002-24PVXI ^a | 16K | 256 | Yes | -40C to +85C | 8 | 12 | 44 | 14 | 4 | Yes |
| CY8C27x43 Silicon A – Silicon A is not recommended for new designs. | | | | | | | | | | | |
| 8 Pin (300 Mil) DIP | CY8C27143-24PI | 16K | 256 | No | -40C to +85C | 8 | 12 | 6 | 4 | 4 | No |
| 20 Pin (210 Mil) SSOP | CY8C27243-24PVI | 16K | 256 | Yes | -40C to +85C | 8 | 12 | 16 | 8 | 4 | Yes |
| 20 Pin (210 Mil) SSOP (Tape and Reel) | CY8C27243-24PVIT | 16K | 256 | Yes | -40C to +85C | 8 | 12 | 16 | 8 | 4 | Yes |
| 20 Pin (300 Mil) SOIC | CY8C27243-24SI | 16K | 256 | Yes | -40C to +85C | 8 | 12 | 16 | 8 | 4 | Yes |
| 20 Pin 300 Mil) SOIC (Tape and Reel) | CY8C27243-24SIT | 16K | 256 | Yes | -40C to +85C | 8 | 12 | 16 | 8 | 4 | Yes |
| 28 Pin (300 Mil) DIP | CY8C27443-24PI | 16K | 256 | Yes | -40C to +85C | 8 | 12 | 24 | 12 | 4 | Yes |

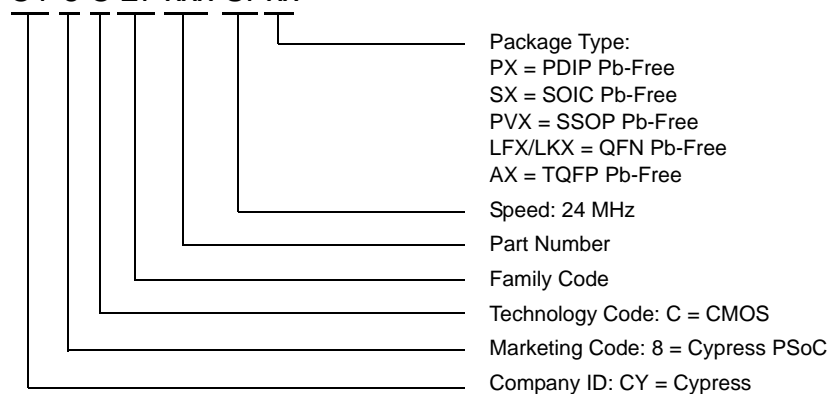
Table 6-1. CY8C27x43 PSoC Device Key Features and Ordering Information (continued)

| Package | Ordering Code | Flash (Bytes) | RAM (Bytes) | Switch Mode Pump | Temperature Range | Digital Blocks (Rows of 4) | Analog Blocks (Columns of 3) | Digital IO Pins | Analog Inputs | Analog Outputs | XRES Pin |
|---------------------------------------|------------------|---------------|-------------|------------------|-------------------|----------------------------|------------------------------|-----------------|---------------|----------------|----------|
| 28 Pin (210 Mil) SSOP | CY8C27443-24PVI | 16K | 256 | Yes | -40C to +85C | 8 | 12 | 24 | 12 | 4 | Yes |
| 28 Pin (210 Mil) SSOP (Tape and Reel) | CY8C27443-24PVIT | 16K | 256 | Yes | -40C to +85C | 8 | 12 | 24 | 12 | 4 | Yes |
| 28 Pin (300 Mil) SOIC | CY8C27443-24SI | 16K | 256 | Yes | -40C to +85C | 8 | 12 | 24 | 12 | 4 | Yes |
| 28 Pin (300 Mil) SOIC (Tape and Reel) | CY8C27443-24SIT | 16K | 256 | Yes | -40C to +85C | 8 | 12 | 24 | 12 | 4 | Yes |
| 44 Pin TQFP | CY8C27543-24AI | 16K | 256 | Yes | -40C to +85C | 8 | 12 | 40 | 12 | 4 | Yes |
| 44 Pin TQFP (Tape and Reel) | CY8C27543-24AIT | 16K | 256 | Yes | -40C to +85C | 8 | 12 | 40 | 12 | 4 | Yes |
| 48 Pin (300 Mil) SSOP | CY8C27643-24PVI | 16K | 256 | Yes | -40C to +85C | 8 | 12 | 44 | 12 | 4 | Yes |
| 48 Pin (300 Mil) SSOP (Tape and Reel) | CY8C27643-24PVIT | 16K | 256 | Yes | -40C to +85C | 8 | 12 | 44 | 12 | 4 | Yes |
| 48 Pin (7x7) MLF | CY8C27643-24LFI | 16K | 256 | Yes | -40C to +85C | 8 | 12 | 44 | 12 | 4 | Yes |
| 48 Pin (7x7) MLF (Tape and Reel) | CY8C27643-24LFIT | 16K | 256 | Yes | -40C to +85C | 8 | 12 | 44 | 12 | 4 | Yes |

a. This part may be used for in-circuit debugging. It is NOT available for production

6.1 Ordering Code Definitions

CY 8 C 27 xxx-SPxx



Thermal Rating:
 C = Commercial
 I = Industrial
 E = Extended

7. Sales and Service Information



Cypress Semiconductor

198 Champion Court
San Jose, CA 95134
408.943.2600

Web Sites: Company Information – <http://www.cypress.com>
 Sales – http://www.cypress.com/aboutus/sales_locations.cfm
 Technical Support – <http://www.cypress.com/support/login.cfm>

7.1 Revision History

Table 7-1. CY8C27x43 Data Sheet Revision History

| Document Title: CY8C27143, CY8C27243, CY8C27443, CY8C27543, and CY8C27643 PSoC Mixed-Signal Array Final Data Sheet | | | | |
|---|--------|----------------------|----------------------|---|
| Document Number: 38-12012 | | | | |
| Revision | ECN # | Issue Date | Origin of Change | Description of Change |
| ** | 127087 | 7/01/2003 | New Silicon. | New document (Revision **). |
| *A | 128780 | 7/29/2003 | Engineering and NWJ. | New electrical spec additions, fix of Core Architecture links, corrections to some text, tables, drawings, and format. |
| *B | 128992 | 8/14/2003 | NWJ | Interrupt controller table fixed, refinements to Electrical Spec section and Register chapter. |
| *C | 129283 | 8/28/2003 | NWJ | Significant changes to the Electrical Specifications section. |
| *D | 129442 | 9/09/2003 | NWJ | Changes made to Electrical Spec section. Added 20/28-Lead SOIC packages and pinouts. |
| *E | 130129 | 10/13/2003 | NWJ | Revised document for Silicon Revision A. |
| *F | 130651 | 10/28/2003 | NWJ | Refinements to Electrical Specification section and I2C chapter. |
| *G | 131298 | 11/18/2003 | NWJ | Revisions to GDI, RDI, and Digital Block chapters. Revisions to AC Digital Block Spec and miscellaneous register changes. |
| *H | 229416 | See ECN | SFV | New data sheet format and organization. Reference the <i>PSoC Mixed-Signal Array Technical Reference Manual</i> for additional information. Title change. |
| *I | 247529 | See ECN | SFV | Added Silicon B information to this data sheet. |
| *J | 355555 | See ECN | HMT | Add DS standards, update device table, swap 48-pin SSOP 45 and 46, add Reflow Peak Temp. table. Add new color and logo. Re-add pinout ISSP notation. Add URL to preferred dimensions for mounting MLF packages. Update Transmitter and Receiver AC Digital Block Electrical Specifications. |
| *K | 523233 | See ECN | HMT | Add Low Power Comparator (LPC) AC/DC electrical spec. tables. Add new Dev. Tool section. Add CY8C20x34 to PSoC Device Characteristics table. Add OCD pinout and package diagram. Add ISSP note to pinout tables. Update package diagram revisions. Update typical and recommended Storage Temperature per industrial specs. Update CY branding and QFN convention. Update copyright and trademarks. |
| Distribution: External Public | | Posting: None | | |

7.2 Copyrights and Code Protection

Copyrights

© Cypress Semiconductor Corp. 2002-2006. All rights reserved. PSoC Designer™, Programmable System-on-Chip™, and PSoC Express are trademarks and PSoC® is a registered trademark of Cypress Semiconductor Corp. All other trademarks or registered trademarks referenced herein are property of the respective corporations.

The information contained herein is subject to change without notice. Cypress Semiconductor assumes no responsibility for the use of any circuitry other than circuitry embodied in a Cypress Semiconductor product. Nor does it convey or imply any license under patent or other rights. Cypress Semiconductor does not authorize its products for use as critical components in life-support systems where a malfunction or failure may reasonably be expected to result in significant injury to the user. The inclusion of Cypress Semiconductor products in life-support systems application implies that the manufacturer assumes all risk of such use and in doing so indemnifies Cypress Semiconductor against all charges. Cypress Semiconductor products are not warranted nor intended to be used for medical, life-support, life-saving, critical control or safety applications, unless pursuant to an express written agreement with Cypress Semiconductor.

Flash Code Protection

Note the following details of the Flash code protection features on Cypress Semiconductor PSoC devices.

Cypress Semiconductor products meet the specifications contained in their particular data sheets. Cypress Semiconductor believes that its family of products is one of the most secure families of its kind on the market today, regardless of how they are used. There may be methods, unknown to Cypress Semiconductor, that can breach the code protection features. Any of these methods, to our knowledge, would be dishonest and possibly illegal. Neither Cypress Semiconductor nor any other semiconductor manufacturer can guarantee the security of their code. Code protection does not mean that we are guaranteeing the product as "unbreakable."

Cypress Semiconductor is willing to work with the customer who is concerned about the integrity of their code. Code protection is constantly evolving. We at Cypress Semiconductor are committed to continuously improving the code protection features of our products.

Cypress Semiconductor is willing to work with the customer who is concerned about the integrity of their code. Code protection is constantly evolving. We at Cypress Semiconductor are committed to continuously improving the code protection features of our products.



ООО «НИОКРсистемс» - это оперативные поставки широкого спектра электронных компонентов отечественного и импортного производства напрямую от производителей и с крупнейших мировых складов. Реализуемая нашей компанией продукция насчитывает более полумиллиона наименований.

Благодаря этому наша компания предлагает к поставке практически не ограниченный ассортимент компонентов как оптовыми, мелкооптовыми партиями, так и в розницу.

Благодаря развитой сети поставщиков, помогаем в поиске и приобретении экзотичных или снятых с производства компонентов.

Наша компания это:

- Гарантия качества поставляемой продукции
- Широкий ассортимент
- Минимальные сроки поставок
- Техническая поддержка
- Подбор комплектации
- Индивидуальный подход
- Гибкое ценообразование
- Работаем по 275 ФЗ