

Description

The GM1117 is a positive low dropout regulator and is available in an adjustable version and fixed output voltage from 1.5V to 5.0V. All internal circuitry is designed to operate down to 800mV input to output differential and the dropout voltage is fully specified as a function of load current. On chip trimming adjusts the reference/output voltage to within $\pm 1\%$. Current limit is also trimmed in order to minimize the stress on both the regulator and the power source circuitry under overloaded conditions.

Features

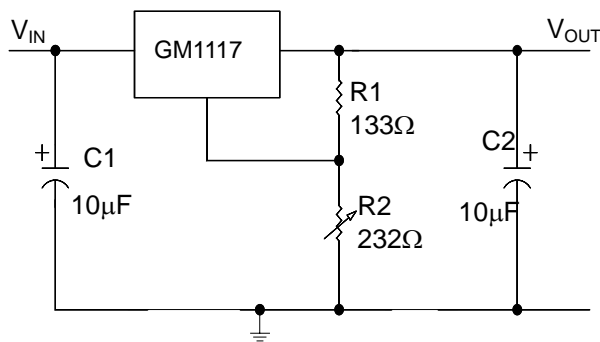
- ◆ Adjustable or Fixed Output
- ◆ Output Current of 1.0A
- ◆ Dropout Voltage 1.5V max @ 1.0A
- ◆ Line Regulation 0.2% max.
- ◆ Load Regulation 0.4% max.
- ◆ Fast Transient Response
- ◆ Current Limit Protection
- ◆ Thermal Shutdown Protection

Application

High Efficiency Linear Regulators
Post Regulators for Switching Supplies
Microprocessor Supply

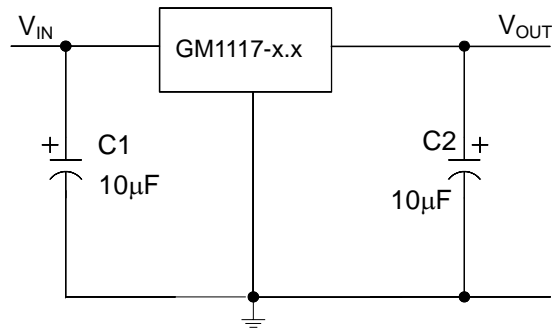
Battery Powered Equipment
Reference Voltage Sources
Hard Drive Controllers
Battery Chargers
Adjustable Power Supply

Typical Application Circuits



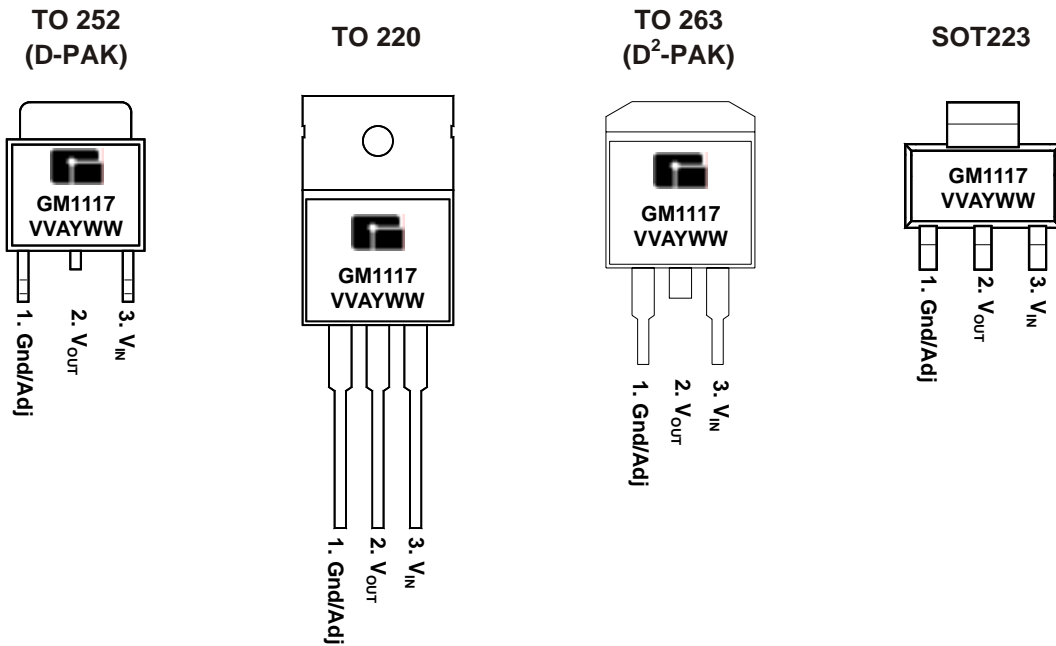
Adjustable Regulator

$$V_{OUT} = 1.25V \left(1 + \frac{R2}{R1} \right)$$



Fixed Output Voltage Regulator

Marking Information and Pin Configurations (Top View)



VV: Voltage suffix (15 = 1.5V, 50 = 5.0V...A = Adj)
 A: Assembly / Test site code
 Y: Year
 WW: Week

Ordering Information

Ordering Number	Output Voltage	Package	Shipping
GM1117-AST3T	Adj	SOT-223	80 Units/Tube
GM1117-AST3R		SOT-223	2,500 Units / Tape & Reel
GM1117-ATC3T		TO-252	80 Units/Tube
GM1117-ATC3R		TO-252	2,500 Units / Tape & Reel
GM1117-ATB3T		TO-220	50 Units/Tube
GM1117-ATA3T		TO-263	50 Units/Tube
GM1117-ATA3R		TO-263	800 Units / Tape & Reel
GM1117-1.5ST3T	1.5V	SOT-223	80 Units/Tube
GM1117-1.5ST3R		SOT-223	2,500 Units / Tape & Reel
GM1117-1.5TC3T		TO-252	80 Units/Tube
GM1117-1.5TC3R		TO-252	2,500 Units / Tape & Reel
GM1117-1.5TB3T		TO-220	50 Units/Tube
GM1117-1.5TA3T		TO-263	50 Units/Tube
GM1117-1.5TA3R		TO-263	800 Units / Tape & Reel
GM1117-1.8ST3T	1.8V	SOT-223	80 Units/Tube
GM1117-1.8ST3R		SOT-223	2,500 Units / Tape & Reel
GM1117-1.8TC3T		TO-252	80 Units/Tube
GM1117-1.8TC3R		TO-252	2,500 Units / Tape & Reel
GM1117-1.8TB3T		TO-220	50 Units/Tube
GM1117-1.8TA3T		TO-263	50 Units/Tube
GM1117-1.8TA3R		TO-263	800 Units / Tape & Reel
GM1117-2.5ST3T	2.5V	SOT-223	80 Units/Tube
GM1117-2.5ST3R		SOT-223	2,500 Units / Tape & Reel
GM1117-2.5TC3T		TO-252	80 Units/Tube
GM1117-2.5TC3R		TO-252	2,500 Units / Tape & Reel
GM1117-2.5TB3T		TO-220	50 Units/Tube
GM1117-2.5TA3T		TO-263	50 Units/Tube
GM1117-2.5TA3R		TO-263	800 Units / Tape & Reel

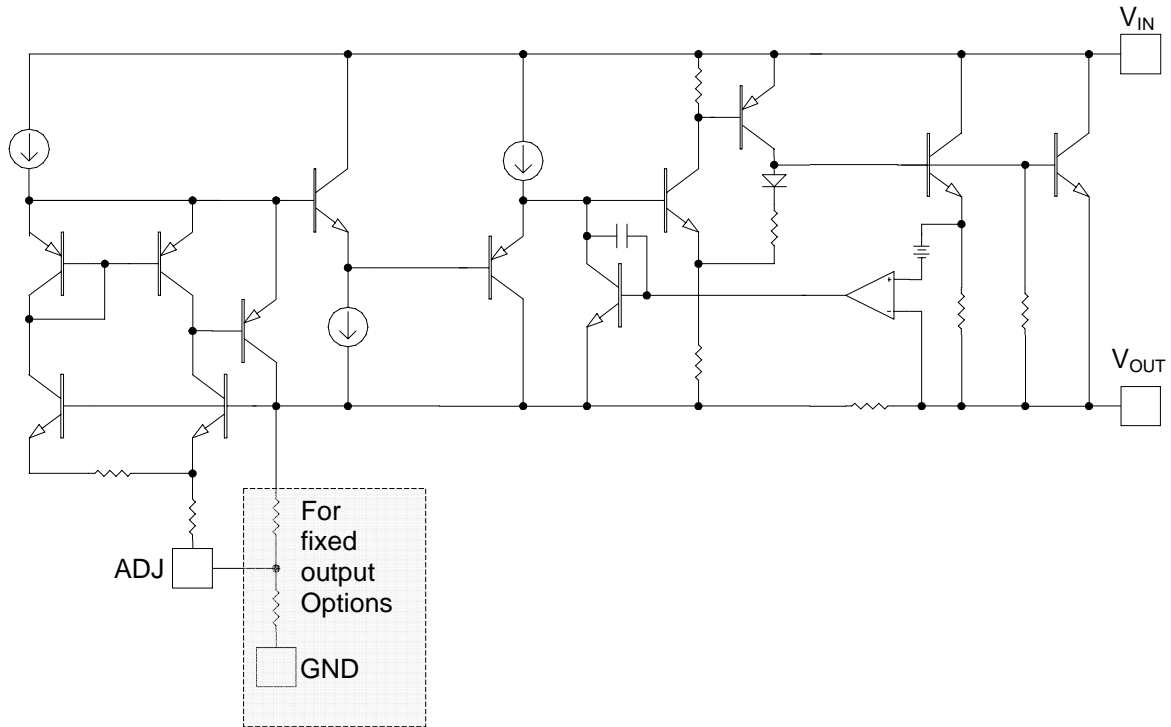
Ordering Information (Continued)

Ordering Number	Output Voltage	Package	Shipping
GM1117-2.85ST3T	2.85V	SOT-223	80 Units/Tube
GM1117-2.85ST3R		SOT-223	2,500 Units / Tape & Reel
GM1117-2.85TC3T		TO-252	80 Units/Tube
GM1117-2.85TC3R		TO-252	2,500 Units / Tape & Reel
GM1117-2.85TB3T		TO-220	50 Units/Tube
GM1117-2.85TA3T		TO-263	50 Units/Tube
GM1117-2.85TA3R		TO-263	800 Units / Tape & Reel
GM1117-3.0ST3T	3.0V	SOT-223	80 Units/Tube
GM1117-3.0ST3R		SOT-223	2,500 Units / Tape & Reel
GM1117-3.0TC3T		TO-252	80 Units/Tube
GM1117-3.0TC3R		TO-252	2,500 Units / Tape & Reel
GM1117-3.0TB3T		TO-220	50 Units/Tube
GM1117-3.0TA3T		TO-263	50 Units/Tube
GM1117-3.0TA3R		TO-263	800 Units / Tape & Reel
GM1117-3.3ST3T	3.3V	SOT-223	80 Units/Tube
GM1117-3.3ST3R		SOT-223	2,500 Units / Tape & Reel
GM1117-3.3TC3T		TO-252	80 Units/Tube
GM1117-3.3TC3R		TO-252	2,500 Units / Tape & Reel
GM1117-3.3TB3T		TO-220	50 Units/Tube
GM1117-3.3TA3T		TO-263	50 Units/Tube
GM1117-3.3TA3R		TO-263	800 Units / Tape & Reel
GM1117-5.0ST3T	5.0V	SOT-223	80 Units/Tube
GM1117-5.0ST3R		SOT-223	2,500 Units / Tape & Reel
GM1117-5.0TC3T		TO-252	80 Units/Tube
GM1117-5.0TC3R		TO-252	2,500 Units / Tape & Reel
GM1117-5.0TB3T		TO-220	50 Units/Tube
GM1117-5.0TA3T		TO-263	50 Units/Tube
GM1117-5.0TA3R		TO-263	800 Units / Tape & Reel

Absolute Maximum Ratings

PARAMETER		SYMBOL	RATINGS	UNITS
Input Voltage		V_{IN}	7	V
Thermal Resistance, Junction to Case	SOT-223	θ_{JA}	15.0	/W
	TO-252 (D PAK)		6.0	
	TO-263 (D ² PAK)		3.0	
Operating Junction Temperature	Control Section	T_J	0 to 125	
	Power Transistor		0 to 150	
Storage Temperature		T_{stg}	- 60 to 150	

Block Diagram



Electrical Characteristics ($T_A = 25^\circ\text{C}$, unless otherwise noted)

Parameter		Symbol	Condition	Min	Typ	Max	Unit
Reference Voltage	GM1117-Adj	V_{REF}	$I_{OUT} = 10\text{mA}$, $V_{IN} = 5\text{V}$	1.238	1.250	1.262	V
			$10\text{mA} \leq I_{OUT} \leq 1.0\text{A}$, $2.65\text{V} \leq V_{IN} \leq 10\text{V}$	1.225	1.250	1.275	
Output Voltage	GM1117-1.8	V_{OUT}	$I_{OUT} = 10\text{mA}$, $V_{IN} = 3.3\text{V}$	1.782	1.800	1.818	V
			$10\text{mA} \leq I_{OUT} \leq 1.0\text{A}$, $3.3\text{V} \leq V_{IN} \leq 10\text{V}$	1.764	1.800	1.836	
	GM1117-2.5		$I_{OUT} = 10\text{mA}$, $V_{IN} = 4\text{V}$	2.475	2.500	2.525	
			$10\text{mA} \leq I_{OUT} \leq 1.0\text{A}$, $4\text{V} \leq V_{IN} \leq 10\text{V}$	2.450	2.500	2.550	
	GM1117-3.3		$I_{OUT} = 10\text{mA}$, $V_{IN} = 4.8\text{V}$	3.267	3.300	3.333	
			$10\text{mA} \leq I_{OUT} \leq 1.0\text{A}$, $4.8\text{V} \leq V_{IN} \leq 10\text{V}$	3.234	3.300	3.366	
GM1117-5.0	$I_{OUT} = 10\text{mA}$, $V_{IN} = 6.5\text{V}$	4.950	5.000	5.050			
	$10\text{mA} \leq I_{OUT} \leq 1.0\text{A}$, $6.5\text{V} \leq V_{IN} \leq 10\text{V}$	4.900	5.000	5.100			
Line Regulation	GM1117-Adj	ΔV_{OI}	$I_{OUT} = 10\text{mA}$, $2.75\text{V} \leq V_{IN} \leq 7\text{V}$		0.04	0.2	%V
	GM1117-1.8		$I_{OUT} = 10\text{mA}$, $3.3\text{V} \leq V_{IN} \leq 7\text{V}$				
	GM1117-2.5		$I_{OUT} = 10\text{mA}$, $4\text{V} \leq V_{IN} \leq 7\text{V}$				
	GM1117-3.3		$I_{OUT} = 10\text{mA}$, $4.8\text{V} \leq V_{IN} \leq 7\text{V}$				
	GM1117-5.0		$I_{OUT} = 10\text{mA}$, $6.5\text{V} \leq V_{IN} \leq 7\text{V}$				
Line Regulation		ΔV_{OL}	$V_{IN} = V_{OUT} + 1\text{V}$ $10\text{mA} \leq I_{OUT} \leq 1.0\text{A}$		0.2	0.4	%mA
Dropout Voltage		ΔV	$I_{OUT} = 1\text{A}$		1.15	1.3	V
Current Limit		I_{CL}	$V_{IN} = V_{OUT} + 3\text{V}$	1.1	3.1		A
Quiescent Current (Fixed Output Voltage Versions)		I_Q	$V_{IN} = V_{OUT} + 1\text{V}$ $10\text{mA} \leq I_{OUT} \leq 1.0\text{A}$		7	13	mA
Adjust Pin Current	GM1117-Adj	I_{Adj}	$I_{OUT} = 10\text{mA}$, $2.75\text{V} \leq V_{IN} \leq 7\text{V}$		55	90	μA
Temperature Coefficient			$V_{IN} = V_{OUT} + 1.5\text{V}$ $I_{OUT} = 10\text{mA}$		0.005		%/
Thermal Regulation		T_C	$T_A = 25^\circ\text{C}$, 30ms pulse		0.003		%/W
Ripple Rejection		R_A	$V_{IN} = V_{OUT} + 1.5\text{V}$ $I_{OUT} = 10\text{mA}$	60	72		dB

Typical Performance Characteristics

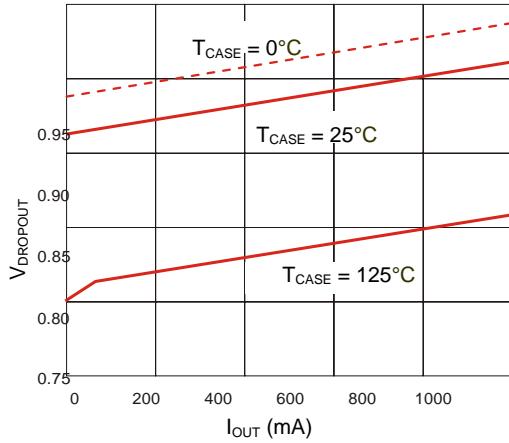


Figure 1. Dropout Voltage vs. Output Current

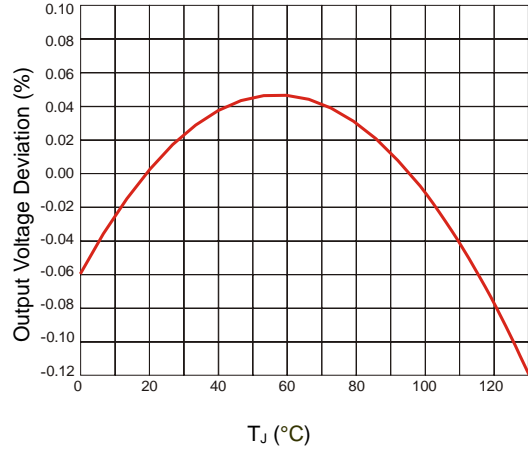


Figure 2. Reference Voltage vs. Temperature

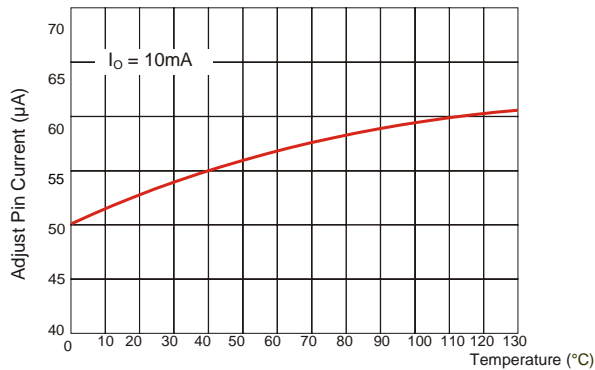


Figure 3. Adjust Pin Current vs. Temperature

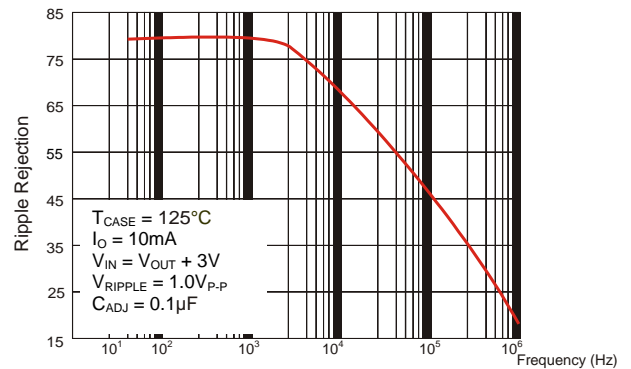


Figure 4. Ripple Rejection vs. Frequency

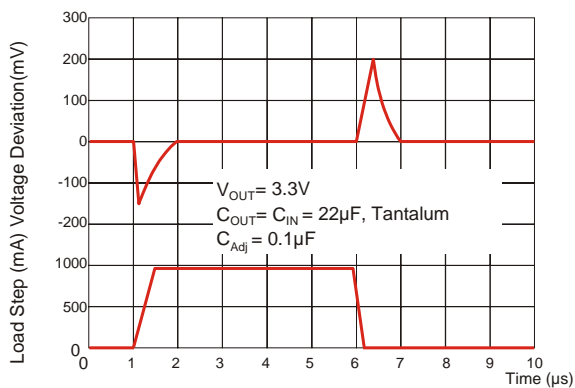


Figure 5. Transient Response

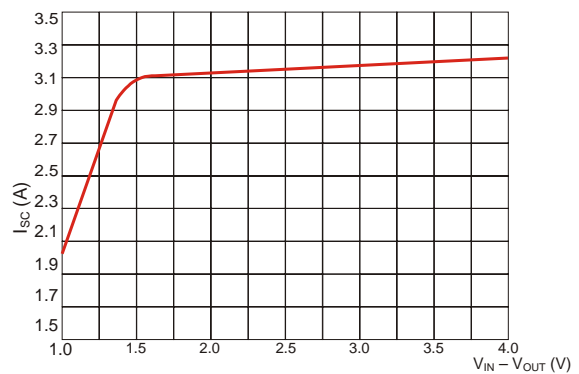
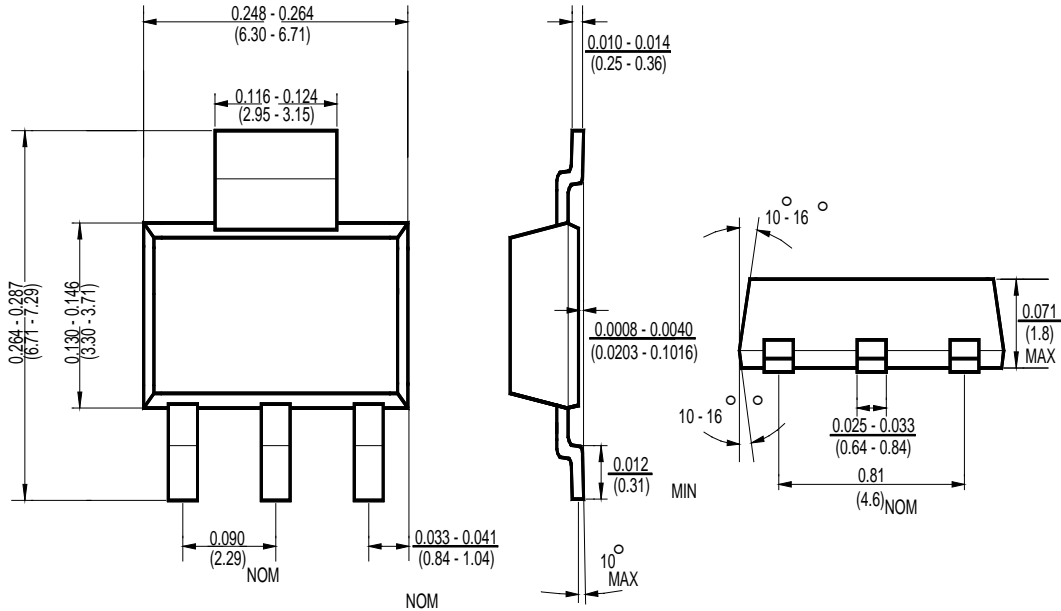
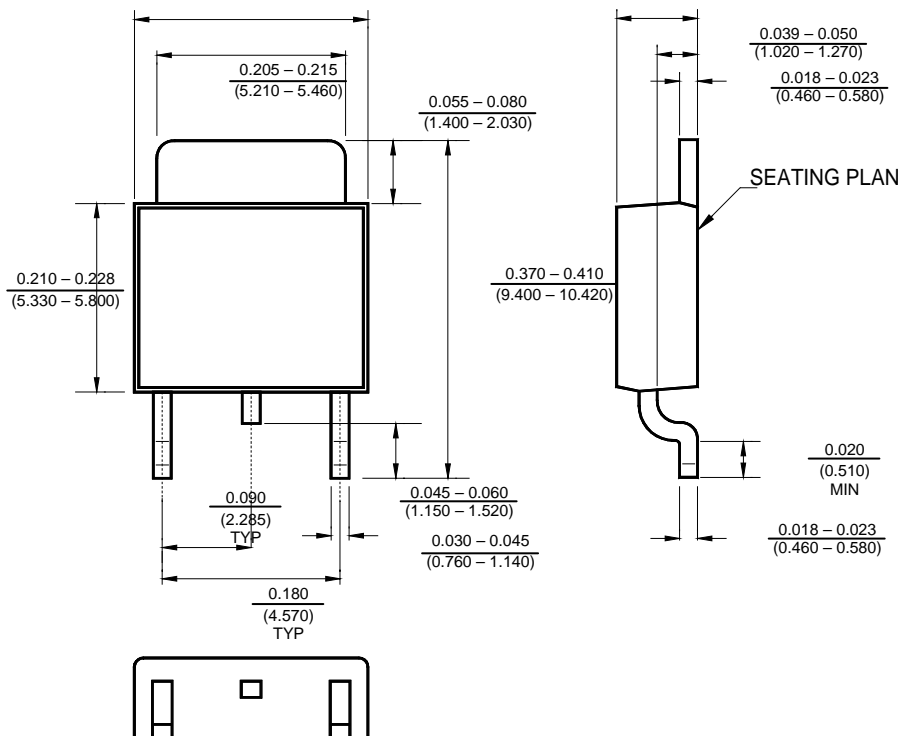


Figure 6. Short Circuit Current vs. $V_{IN} - V_{OUT}$

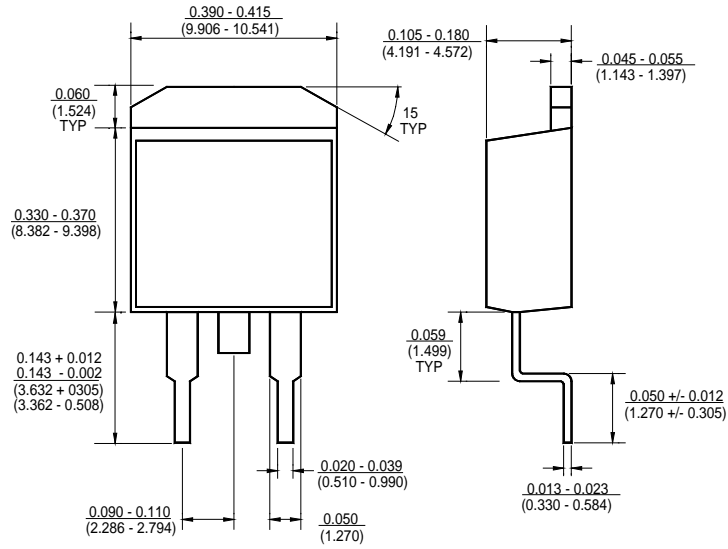
Package Outline Dimensions – SOT223



Package Outline Dimensions – TO252



Package Outline Dimensions – TO263



Ordering Number

<u>GM</u>	<u>1117</u>	<u>A</u>	<u>ST3</u>	<u>R</u>
APM Gamma Micro	Circuit Type	Output Voltage A: Adj 1.8 =1.8V 2.5 =2.5V 3.3 = 3.3V 5.0 =5.0V	Package Type ST3: SOT223 TA3: TO263 TB3: TO220 TC3: TO252	Shipping Type R: Taping & Reel T: Tube



ООО «НИОКРсистемс» - это оперативные поставки широкого спектра электронных компонентов отечественного и импортного производства напрямую от производителей и с крупнейших мировых складов. Реализуемая нашей компанией продукция насчитывает более полумиллиона наименований.

Благодаря этому наша компания предлагает к поставке практически не ограниченный ассортимент компонентов как оптовыми, мелкооптовыми партиями, так и в розницу.

Благодаря развитой сети поставщиков, помогаем в поиске и приобретении экзотичных или снятых с производства компонентов.

Наша компания это:

- Гарантия качества поставляемой продукции
- Широкий ассортимент
- Минимальные сроки поставок
- Техническая поддержка
- Подбор комплектации
- Индивидуальный подход
- Гибкое ценообразование
- Работаем по 275 ФЗ