

21-27GHz Down-Converter

GaAs Monolithic Microwave IC in SMD leadless package

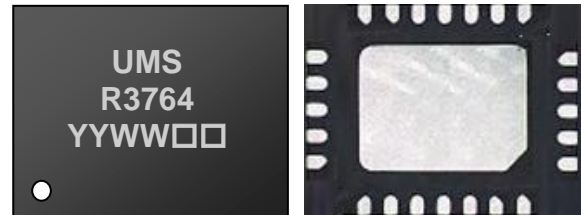
Description

The CHR3764-QEG is a multifunction monolithic circuit, which integrates a balanced cold FET mixer, a multiplier by two, and a RF LNA including gain control.

It is designed for a wide range of applications, typically ISM and commercial communication systems.

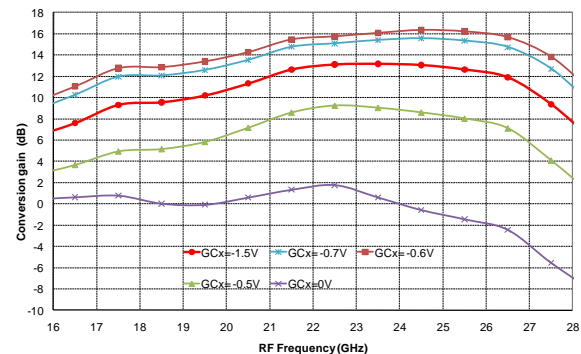
The circuit is manufactured with a pHEMT process, 0.25µm gate length, via holes through the substrate, air bridges and electron beam gate lithography.

It is supplied in RoHS compliant SMD package.



Main Features

- Broadband RF performance 21-26.5GHz
- 13dB conversion gain
- 3.1dB Noise Figure, for IF>0.1GHz
- 1dBm Input IP3
- 14dB Gain Control
- 15dBc Image Rejection
- DC bias: Vd=4Volt @ Id=320mA
- 24L-QFN4x5
- MSL1



Main Characteristics

Tamb.= +25°C, Vd = 4V

Symbol	Parameter	Min	Typ	Max	Unit
F _{RF}	RF frequency range	21		26.5	GHz
F _{OL}	LO frequency range	8.5		15	GHz
F _{IF}	IF frequency range	DC		3.5	GHz
NF	Noise Figure@ min. att., for IF>0.1GHz		3.0		dB

Electrical Characteristics

Tamb = +25°C, VD = VDL = 4V

Symbol	Parameter	Min	Typ	Max	Unit
F _{RF}	RF frequency range	21		26.5	GHz
F _{OL}	LO frequency range	8.5		15	GHz
F _{IF}	IF frequency range	DC		3.5	GHz
G _C	Conversion Gain @ min. attenuation	9	13		dB
ΔG	Gain control range		14		dB
NF	Noise Figure @ min. att. from 21 to 24GHz, for IF>0.1GHz		3.1	3.6	dB
	Noise Figure @ min. att. from 24 to 26.5GHz, for IF>0.1GHz		3.6	4.1	dB
Im_rej	Image rejection ⁽¹⁾		15		dBc
P _{LO}	LO Input power		0	5	dBm
IIP3	Input IP3 @ min. attenuation	0	2		dBm
	Input IP3 @ all gain range (ΔG)	-4	-2		dBm
2LO/RF	2LO leakage at RF port @ max. gain		30		dBc
RL _{RF}	RF Return loss		-10		dB
RL _{OL}	LO Return loss		-8		dB
VD, VDL	DC drain voltage		4		V
Id	Drain current (ID + IDL)		320		mA
VGL	LNA DC gate voltage ⁽²⁾		-0.6		V
GC2,3	Gain control DC voltage	-2	-1.5	0	V
VGM	Mixer DC gate voltage		-0.7		V

These values are representative of onboard measurements as defined on the drawing in paragraph "Evaluation mother board".

⁽¹⁾ An external combiner 90° is required on IF ports, I / Q.

⁽²⁾ Typical VGL value for IDL = 75mA

See in paragraph "biasing option" other possibility to optimise differently the performances

Note: Id is not affected by gain control (GC2, GC3).

Absolute Maximum Ratings ⁽¹⁾T_{amb.} = +25°C

Symbol	Parameter	Values	Unit
VD	Drain bias voltage	5	V
Id	Drain bias current	450	mA
VGL	LNA DC gate voltage	-2 to +0.4	V
VGM	Mixer DC gate voltage	-2 to +0.4	V
GC2,3	Gain control voltage	-2 to +0.8	V
P _{RF}	Maximum peak input power overdrive	10	dBm
P _{LO}	Maximum LO input power	10	dBm
T _j	Junction temperature ⁽²⁾	175	°C
T _a	Operating temperature range	-40 to +85	°C
T _{stg}	Storage temperature range	-55 to +150	°C

⁽¹⁾ Operation of this device above anyone of these parameters may cause permanent damage.

⁽²⁾ See "Device thermal performances"

Typical Bias ConditionsT_{amb.} = +25°C

Symbol	Pad N°	Parameter	Values	Unit
VDL, VD	10, 12	DC drain voltages	4	V
Id	10, 12	Total drain current	320	mA
VGL	9	DC gate voltage	-0.4	V
VGM	11	DC gate voltage	-0.7	V
GC2, GC3	7, 8	Gain control DC voltage	-2 to +0	V

Device thermal performances

All the figures given in this section are obtained assuming that the QFN device is cooled down only by conduction through the package thermal pad (no convection mode considered). The temperature is monitored at the package back-side interface (Tcase) as shown below. The system maximum temperature must be adjusted in order to guarantee that Tcase remains below than the maximum value specified in the next table. So, the system PCB must be designed to comply with this requirement.

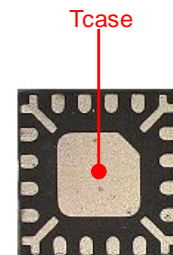
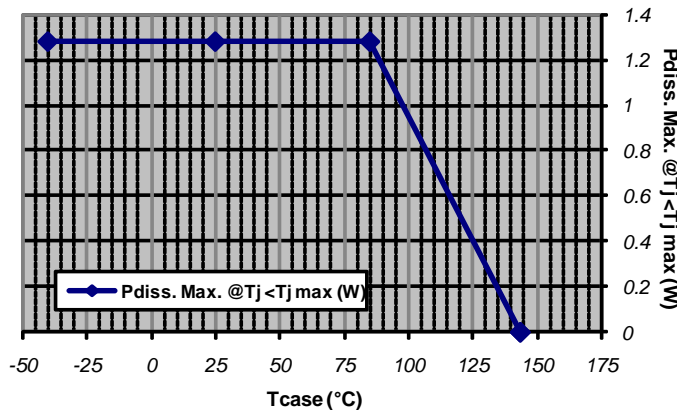
A derating must be applied on the dissipated power if the Tcase temperature cannot be maintained below than the maximum temperature specified (see the curve Pdiss. Max) in order to guarantee the nominal device life time (MTTF).

DEVICE THERMAL SPECIFICATION : CHR3764-QEG		
Recommended max. junction temperature (Tj max)	:	143 °C
Junction temperature absolute maximum rating	:	175 °C
Max. continuous dissipated power (Pdiss. Max.)	:	1.3 W
=> Pdiss. Max. derating above Tcase ⁽¹⁾ = 85 °C	:	22 mW/°C
Junction-Case thermal resistance (Rth J-C) ⁽²⁾	:	<45 °C/W
Minimum Tcase operating temperature ⁽³⁾	:	-40 °C
Maximum Tcase operating temperature ⁽³⁾	:	85 °C
Minimum storage temperature	:	-55 °C
Maximum storage temperature	:	150 °C

(1) Derating at junction temperature constant = Tj max.

(2) Rth J-C is calculated for a worst case considering the **hottest junction** of the MMIC and all the devices biased.

(3) Tcase=Package back side temperature measured under the die-attach-pad (see the drawing below).



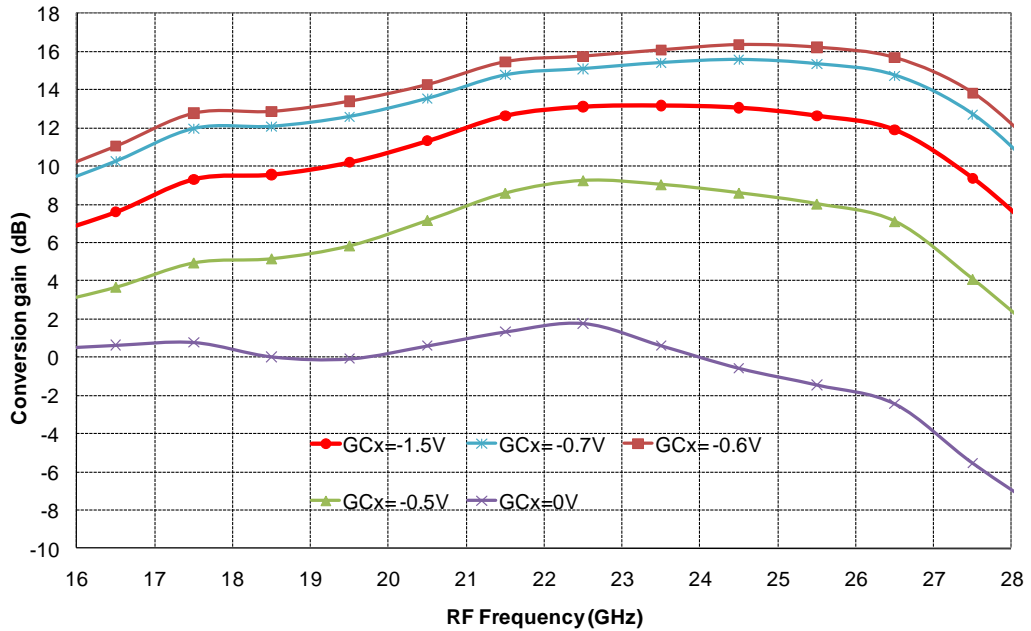
Example: QFN 16L 3x3
Location of temperature reference point (Tcase) on package's bottom side

6.0

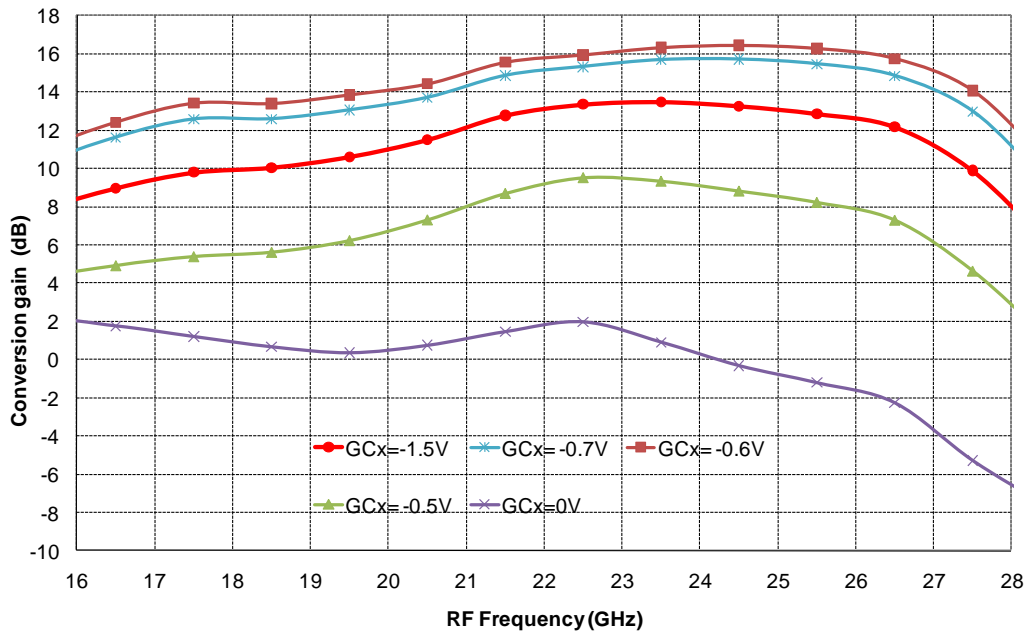
Typical Board Measurements

Tamb = +25°C, VD = VDL = 4V, VGL = -0.6V, VGM = -0.7V, P_LO = 0dBm
 Board is defined on the drawing at paragraph "Evaluation mother board". The board losses are de-embedded. The results are given in the package access planes.

Conversion Gain in Supradyn Mode versus RF Frequency & GCx
 $F_{RF} = 2 \times F_{LO} + F_{IF}$, $F_{IF} = 1.5\text{GHz}$

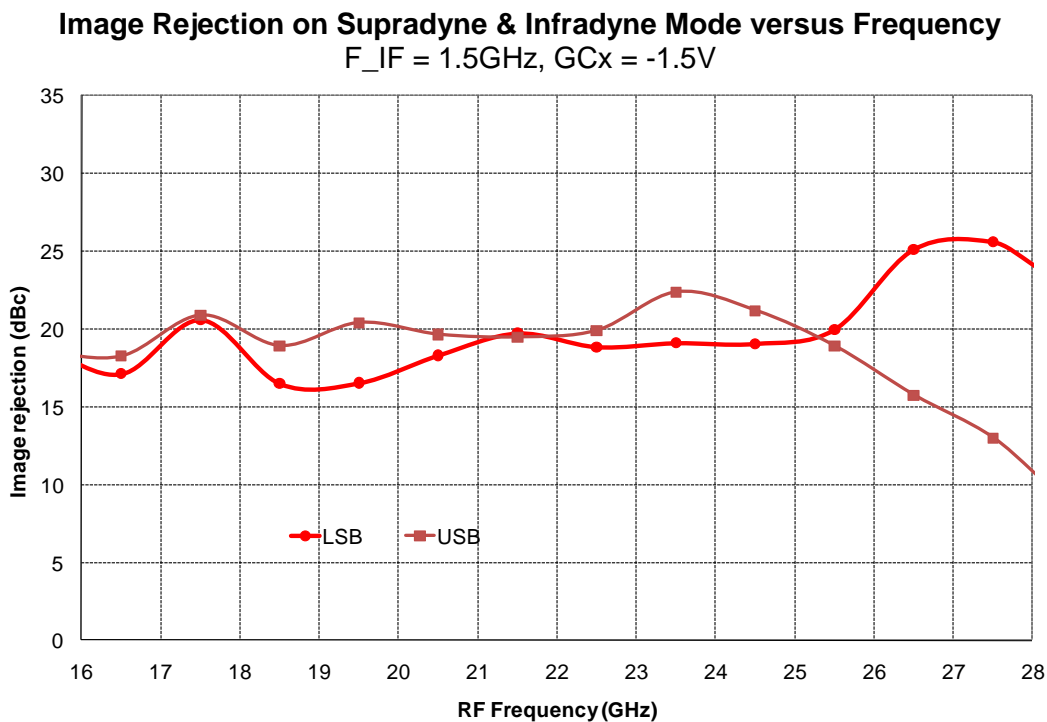
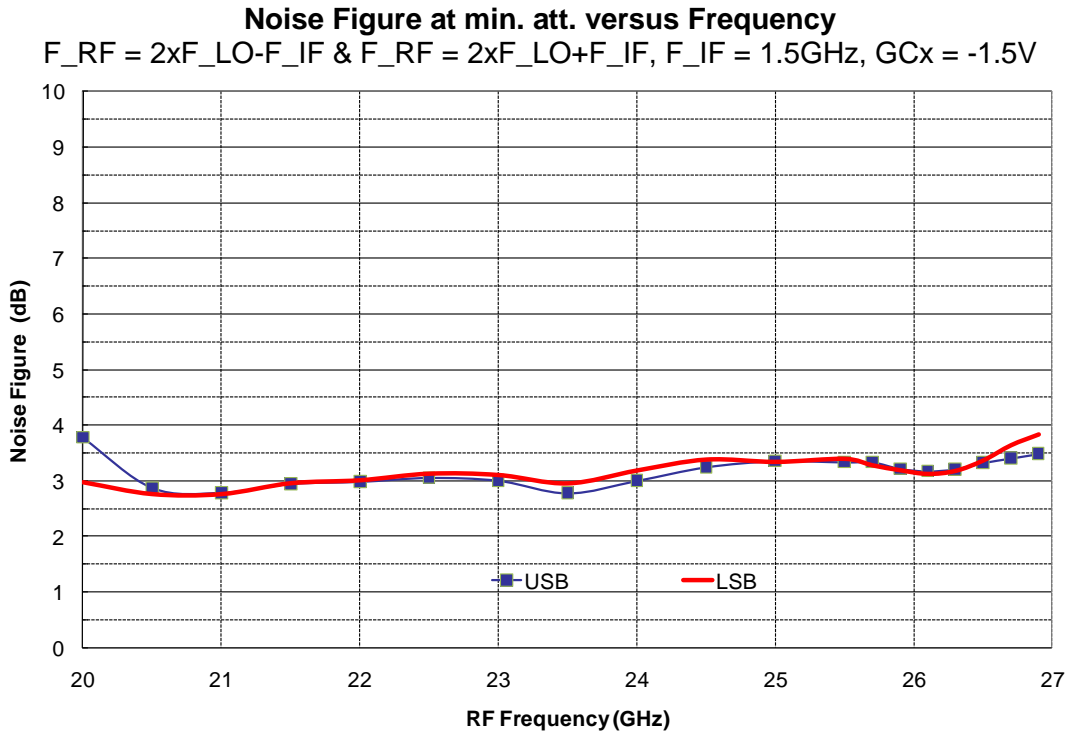


Conversion Gain in Infradyne Mode versus RF Frequency & GCx
 $RF = 2 \times F_{LO} - F_{IF}$, $F_{IF} = 1.5\text{GHz}$



Typical Board Measurements

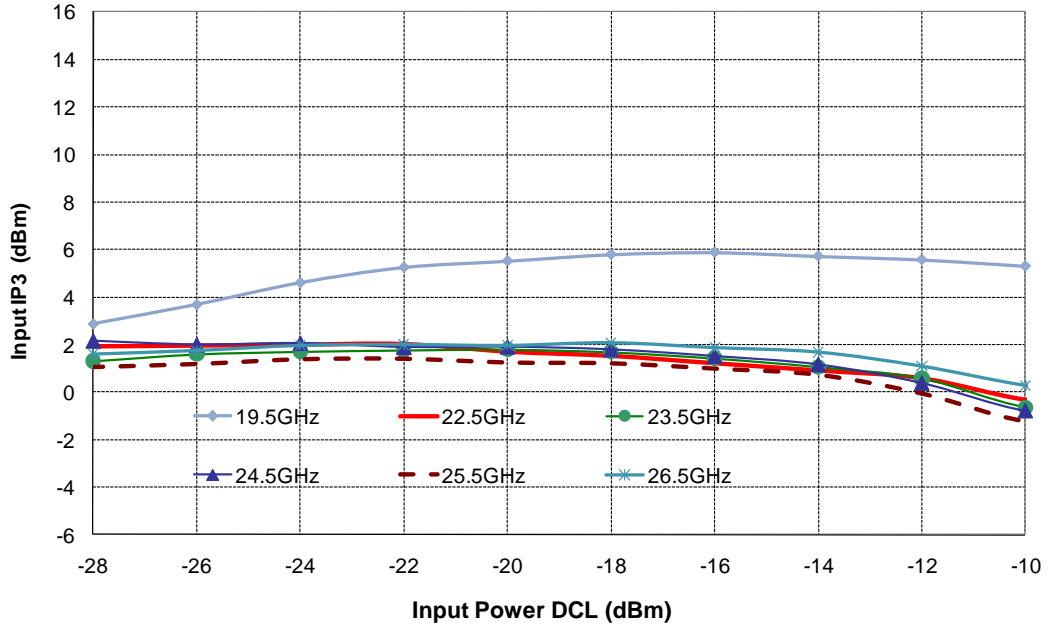
Tamb = +25°C, VD = VDL = 4V, VGL = -0.6V, VGM = -0.7V, P_LO = 0dBm



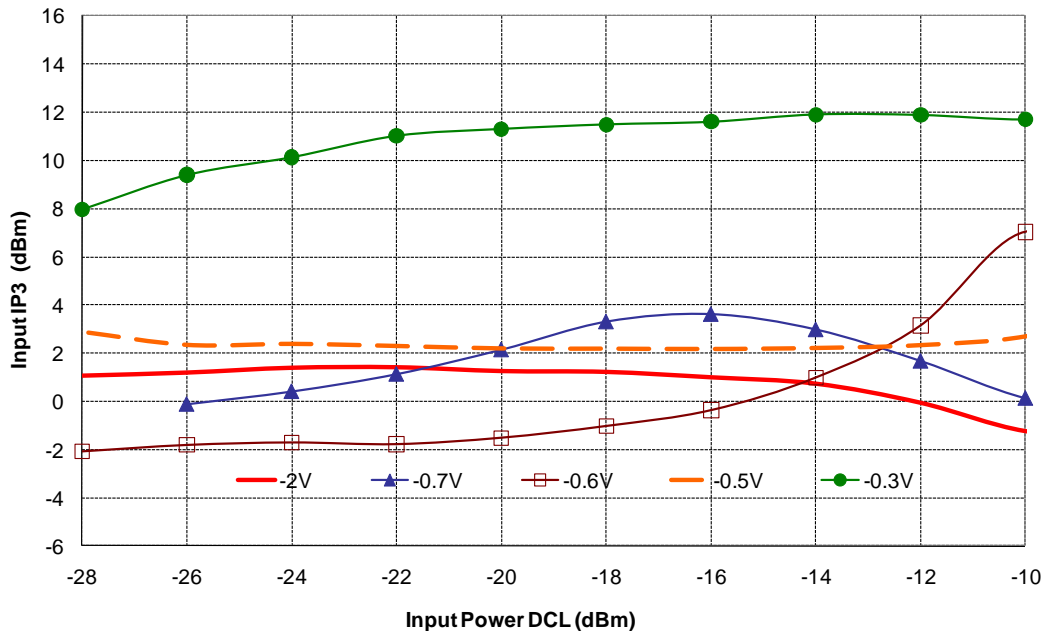
Typical Board Measurements

Tamb = +25°C, VD = VDL = 4V, VGL = -0.6V, VGM = -0.7V, P_LO = 0dBm

Input IP3 versus Frequency at GCx = -1.5V
 F_RF = 2xF_LO-F_IF, F_IF = 1.5GHz

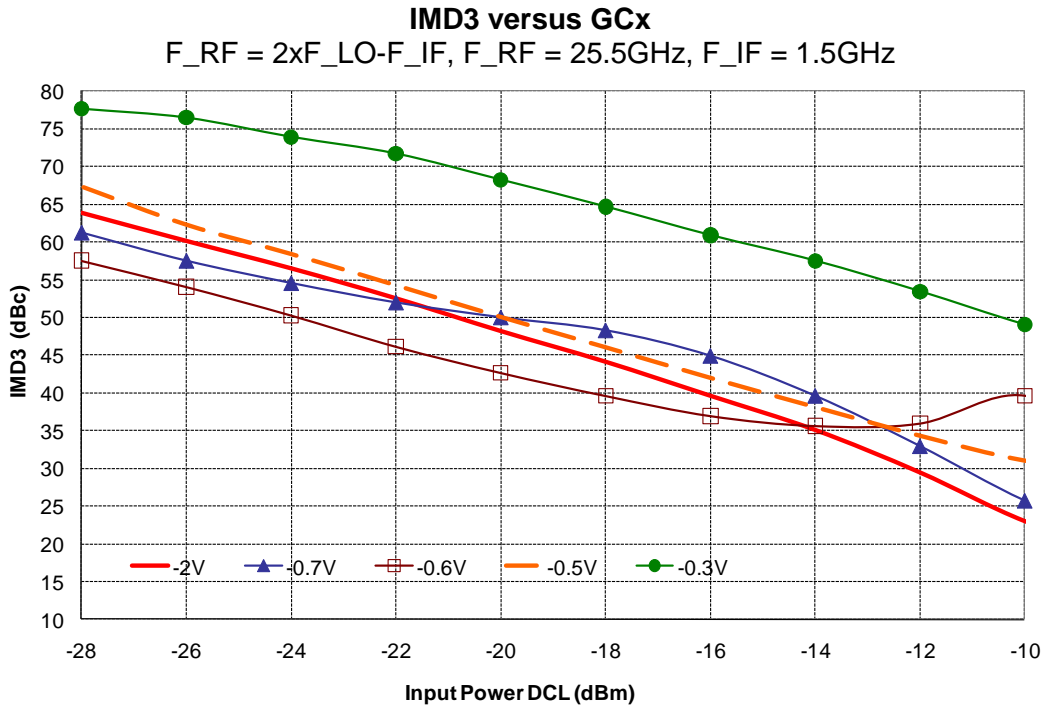


Input IP3 versus GCx
 F_RF = 2xF_LO-F_IF, F_RF = 25.5GHz, F_IF = 1.5GHz

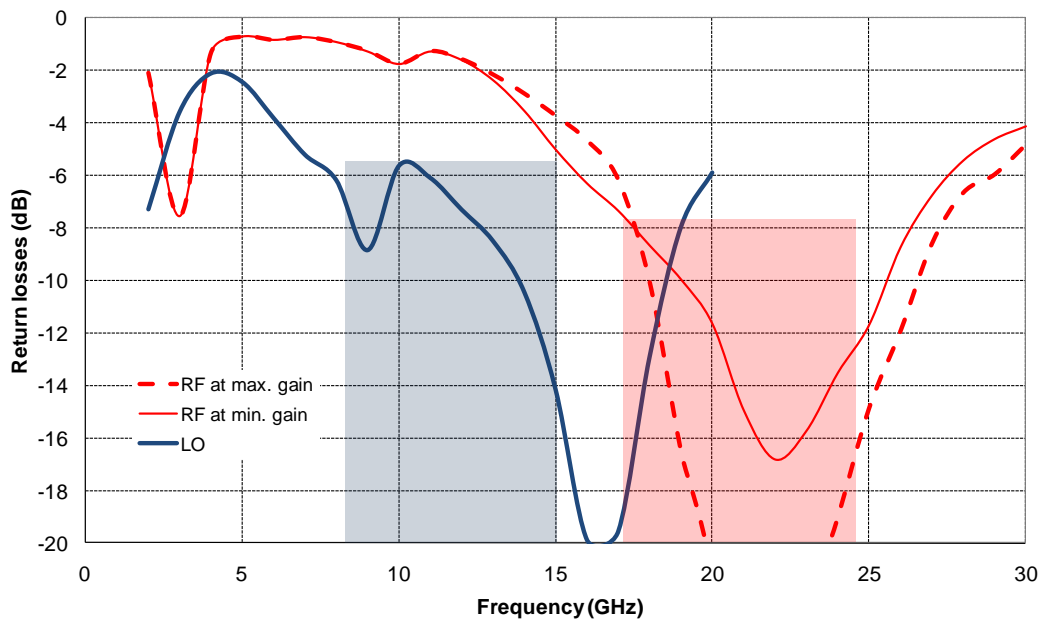


Typical Board Measurements

Tamb = +25°C, VD = VDL = 4V, VGL = -0.6V, VGM = -0.7V, P_LO = 0dBm



RF & LO return loss



Typical Board Measurements

Tamb = +25°C, VD = VDL = 4V, VGL = -0.6V, VGM = -0.7V, P_LO = 0dBm

Spurious on IF outputs

$$RF = 2LO + IF$$

$$P_{RF} = -20\text{dBm} / P_{LO} = 0\text{dBm @12GHz}$$

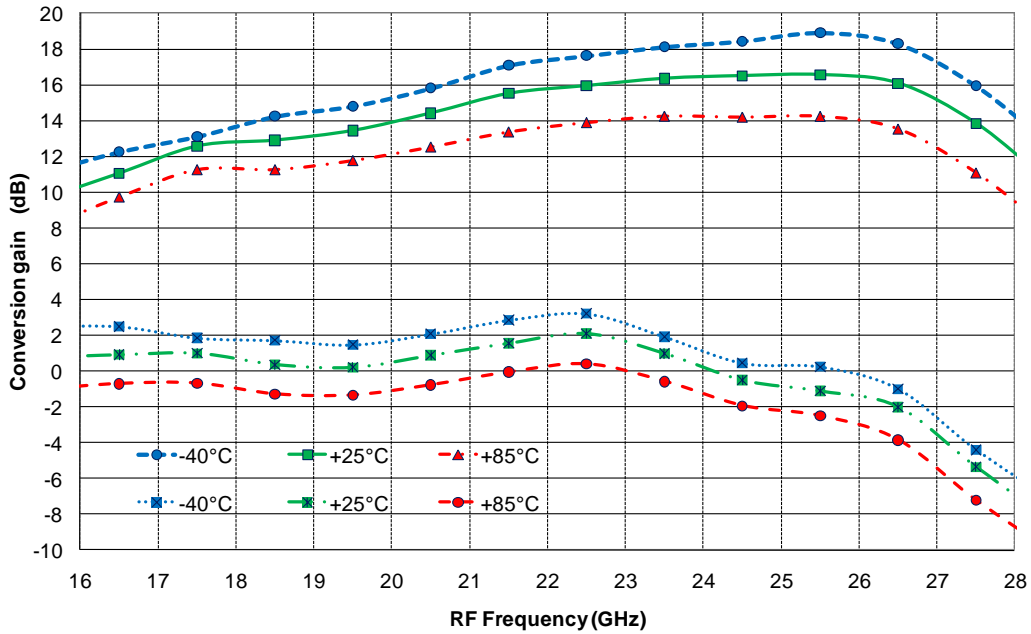
mRF	nLO				
	0	1	2	3	4
0	xx	37	20	41	37
1	26	49	>55	39	52
2	>50	>50	>55	>60	23

All values in dBc below IF power level (IF = 1.5GHz).
Data measured without external hybrid coupler.

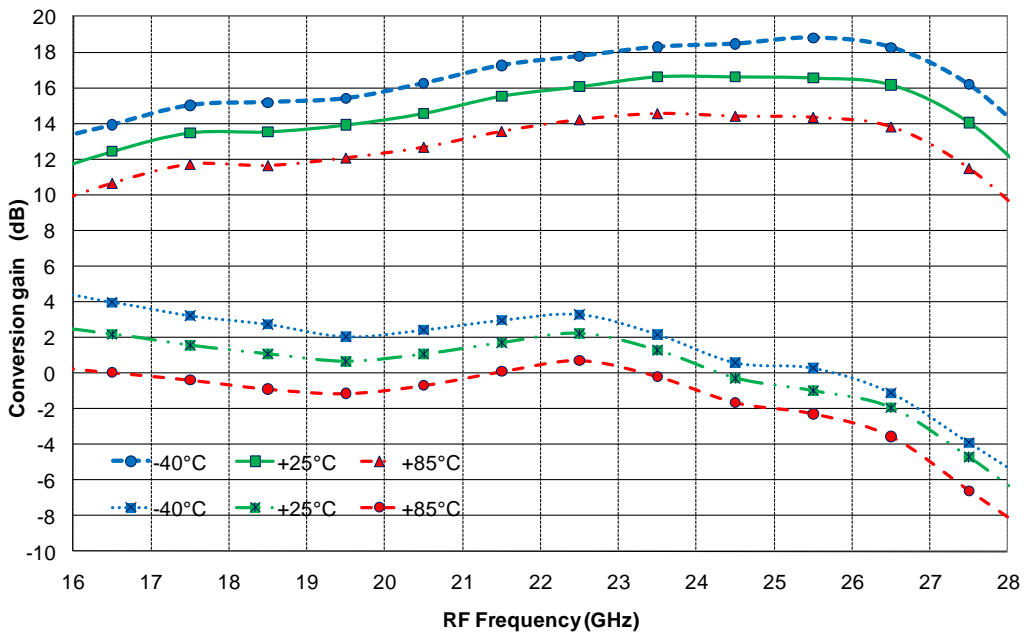
Temperature Board Measurements

T = [-40, +25, 85] °C, VD = VDL = 4V, VGL = -0.6V, VGM = -0.7V, P_LO = 0dBm
 Board is defined on the drawing at paragraph "Evaluation mother board". The board losses are de-embedded. The results are given in the package access planes.

Conversion Gain in Supradyn Mode versus Frequency
 $F_{RF} = 2 \times F_{LO} + F_{IF}$, $F_{IF} = 1.5\text{GHz}$, $GCx = -1.5\text{V}$ & 0V
 Board losses de-embedded (result given on package access planes)



Conversion Gain in Infradyne Mode versus Frequency
 $RF = 2 \times F_{LO} - F_{IF}$, $F_{IF} = 2.0\text{GHz}$, $GCx = -1.5\text{V}$ & 0V
 Board losses de-embedded (result given on package access planes)



Temperature Board Measurements

T = [-40, +25, 85] °C, VD = VDL = 4V, VGL = -0.6V, VGM = -0.7V, P_LO = 0dBm

Noise Figure in Supradyne Mode at min. att. versus Frequency
 F_RF = 2xF_LO+F_IF, F_IF = 1.5GHz, GCx = -1.5V
 Board losses de-embedded (result given on package access planes)

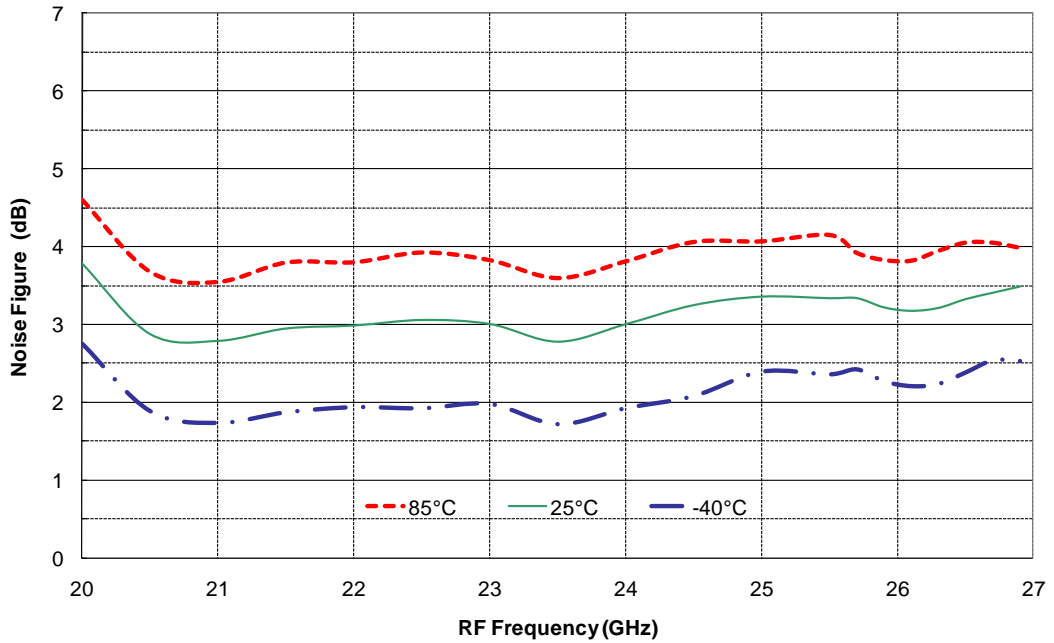
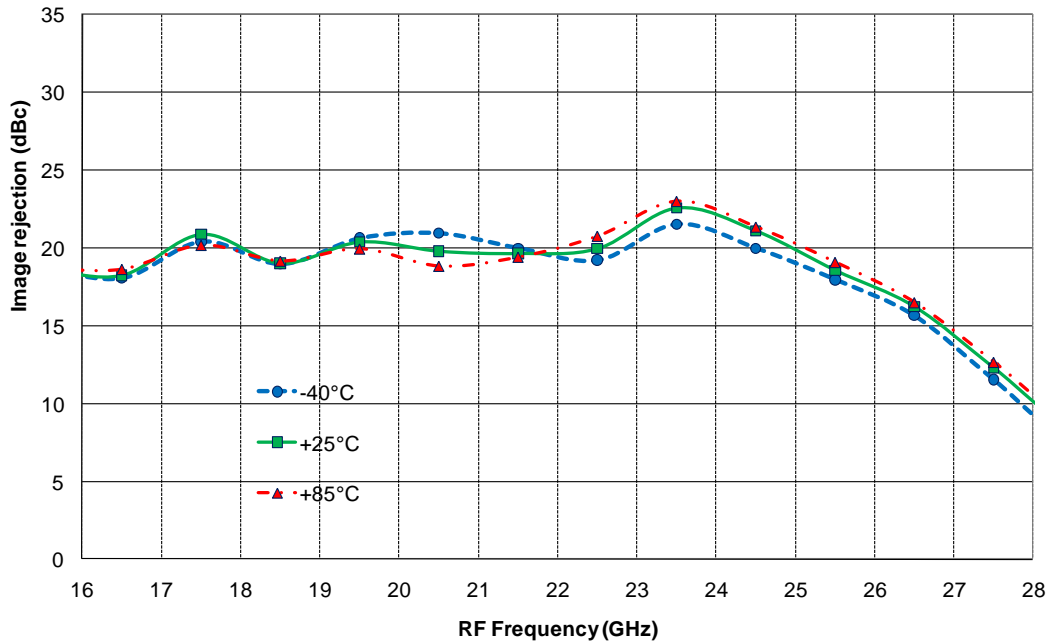


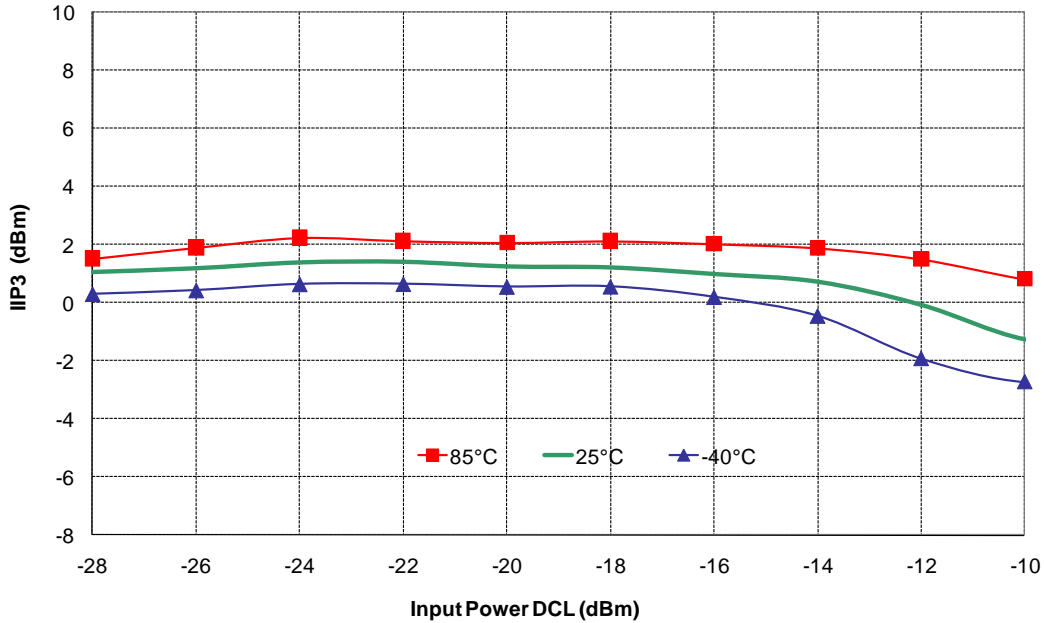
Image Rejection on Supradyne Mode versus Frequency
 F_IF = 1.5GHz, GCx = -1.5V



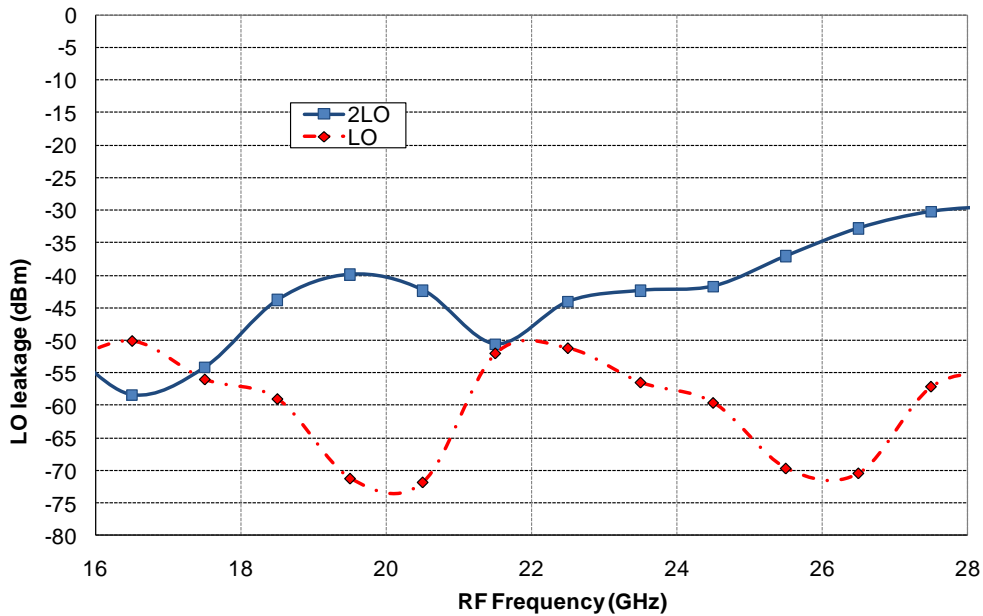
Temperature Board Measurements

T = [-40, +25, 85] °C, VD = VDL = 4V, VGL = -0.6V, VGM = -0.7V, P_LO = 0dBm

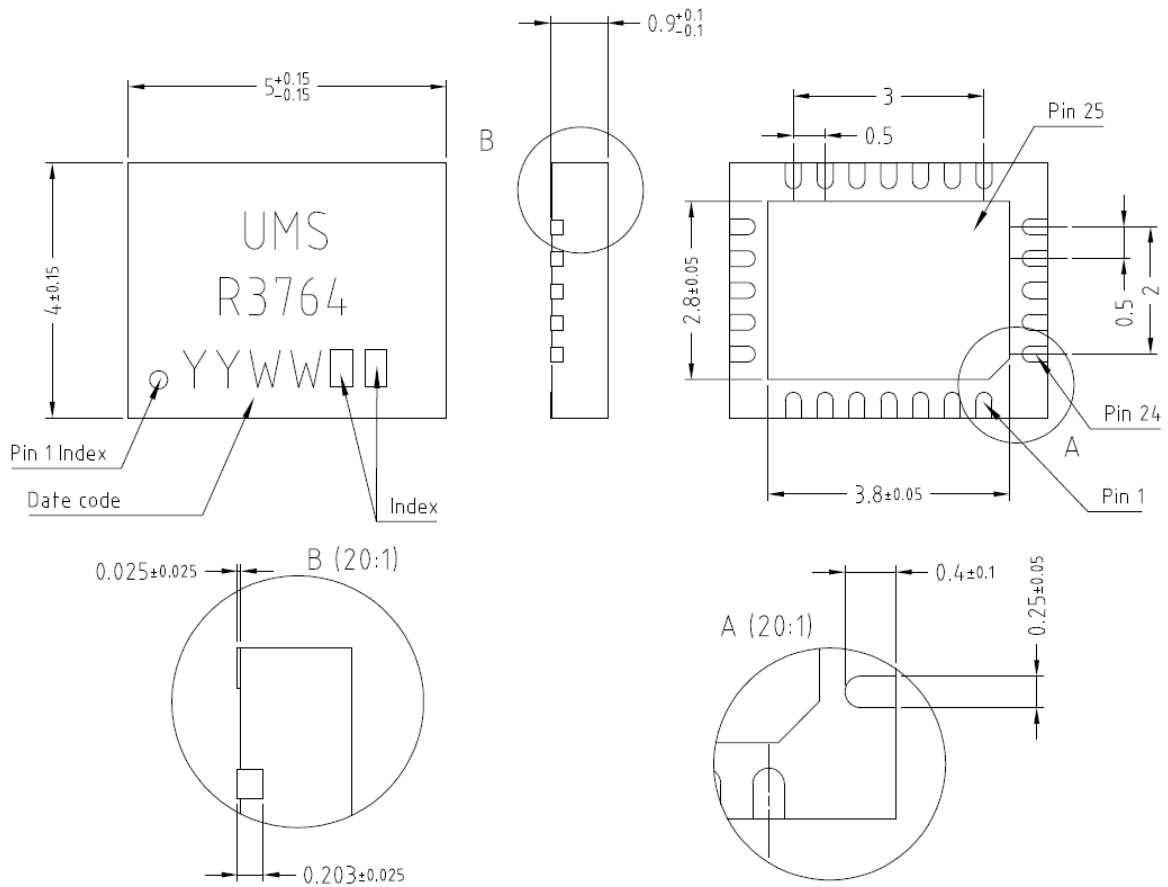
Input IP3 versus Temperature at GCx = -1.5V
 F_RF = 2xF_LO-F_IF, F_RF = 25.5GHz, F_IF = 1.5GHz



LO & 2LO leakage at GCx = -1.5V
 At RF port and T= 25°C



Package outline ⁽¹⁾



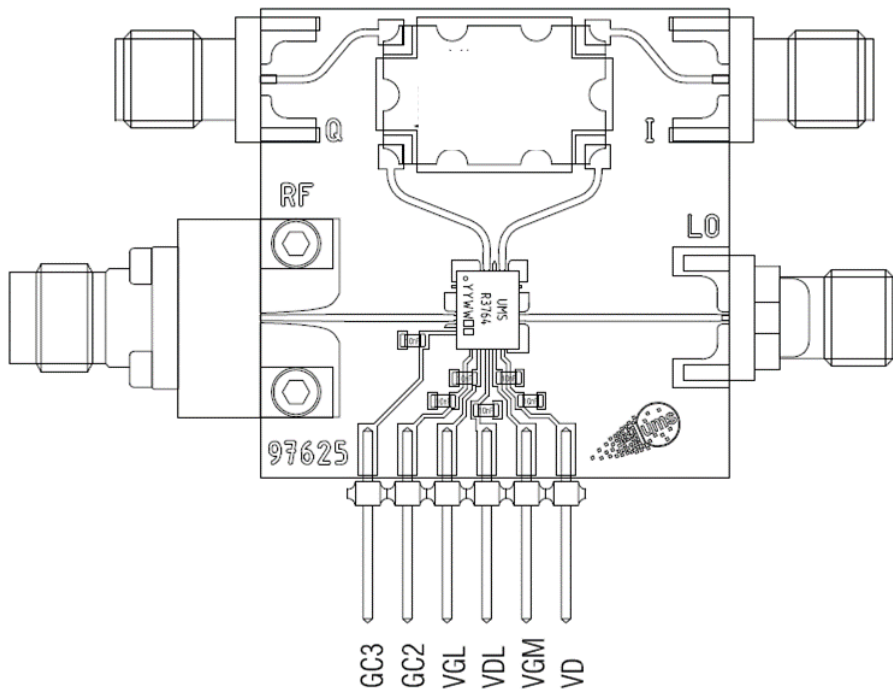
Matt tin, Lead Free	(Green)	1- Nc	9- VGL	17- Nc
Units :	mm	2- Nc	10- VDL	18- Nc
From the standard :	JEDEC MO-220	3- Nc	11- VGM	19- Nc
	(VGGD)	4- GND ⁽²⁾	12- VD	20- IF_I out
	25- GND	5- RF in	13- Nc	21- GND ⁽²⁾
		6- GND ⁽²⁾	14- GND ⁽²⁾	22- IF_Q out
		7- GC3	15- LO in	23- Nc
		8- GC2	16- GND ⁽²⁾	24- Nc

⁽¹⁾ The package outline drawing included to this data-sheet is given for indication. Refer to the application note AN0017 (<http://www.ums-gaas.com>) for exact package dimensions.

⁽²⁾ It is strongly recommended to ground all pins marked "Gnd" through the PCB board. Ensure that the PCB board is designed to provide the best possible ground to the package.

Evaluation mother board

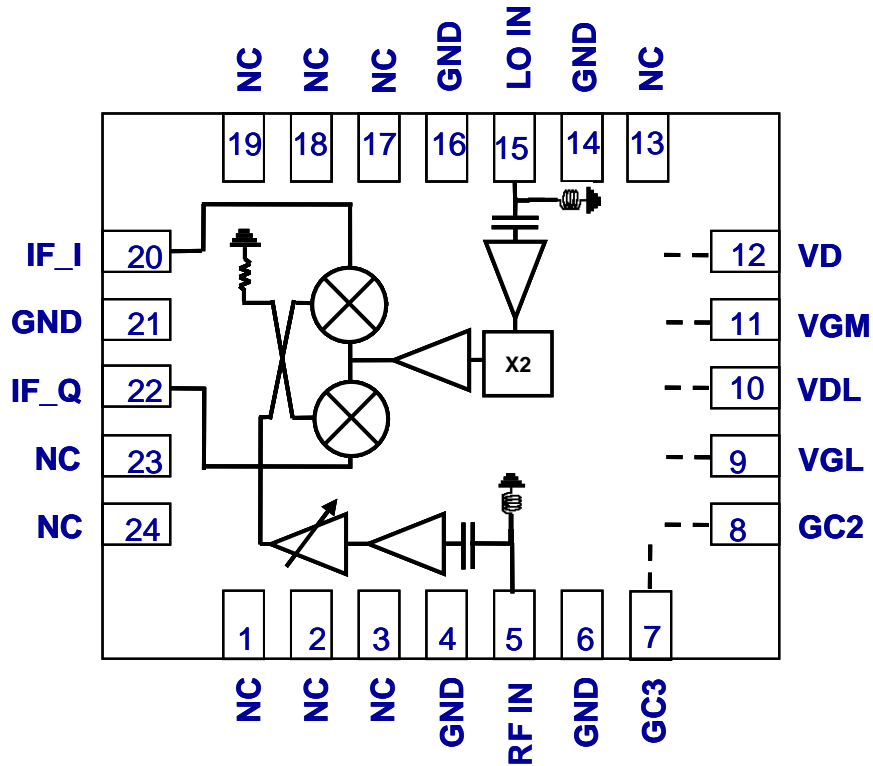
- Compatible with the proposed footprint.
- Based on typically Ro4003 / 8mils or equivalent.
- Using a micro-strip to coplanar transition to access the package.
- Recommended for the implementation of this product on a module board.
- Decoupling capacitors of 10nF \pm 10% are recommended for all DC accesses.
- See application note AN0017 for details.



Hybrid coupler 90° 1-2GHz

Notes

Due to ESD protection circuits on RF and LO inputs, an external capacitance might be requested to isolate the product from external voltage that could be present on these accesses in the application.

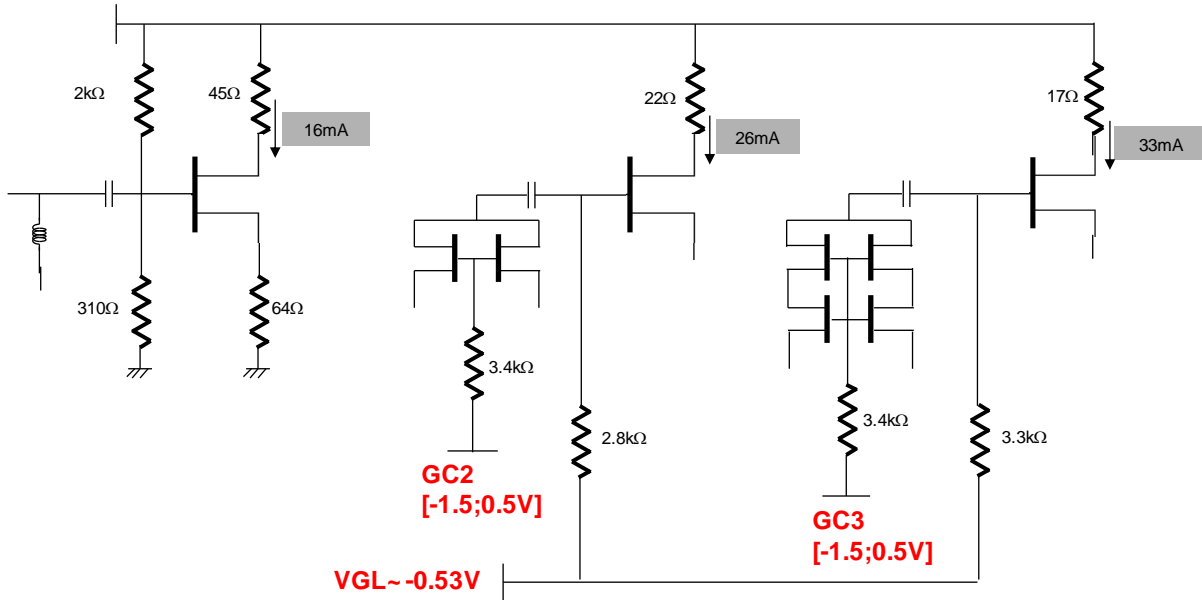


ESD protections are implemented on gate accesses.
 The DC connections do not include any decoupling capacitor in package, therefore it is mandatory to provide a good external DC decoupling on the PC board with SMT capacitor, as close as possible to the package. Recommended value is 10nF

DC Schematic

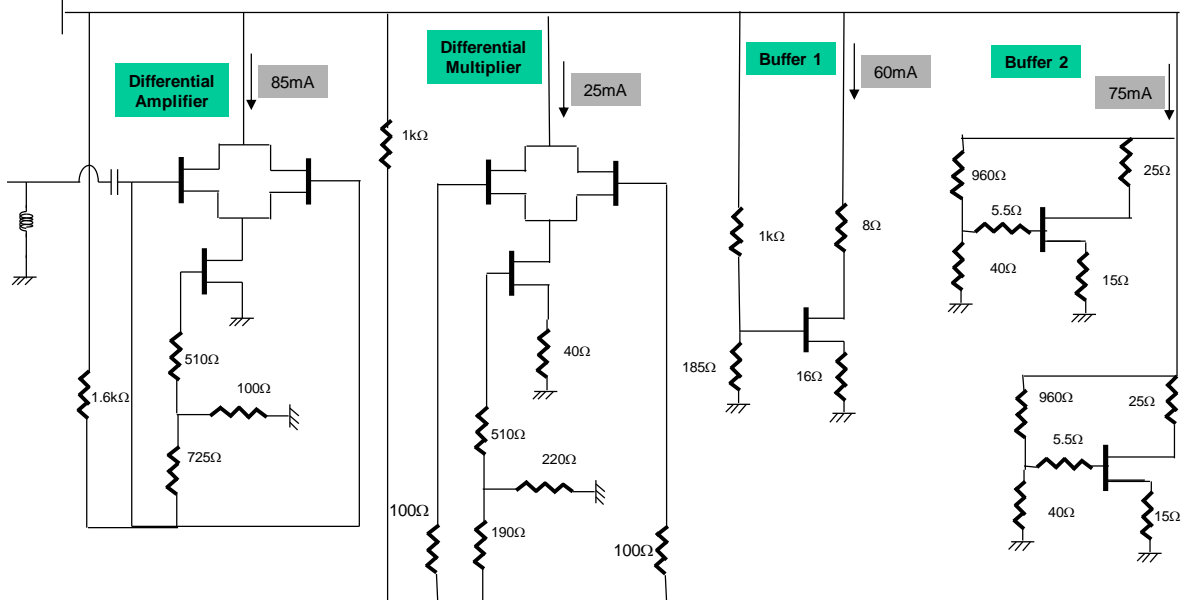
LNA (4V, 75mA)

V_{DL}=4V



LO Buffer (4V, 245mA)

V_D=4V



Biasing Options

In order to improve the conversion gain and the noise figure, the biasing could be tuned.

VGL voltage allows controlling IDL current.

Table below gives the typical value for main characteristics.

Parameter	VD=VDL= 4.0V IDL= 75mA	VD=VDL= 4.5V IDL= 110mA
Conversion Gain@min. att. (dB)	13	14
Noise Figure@min. att. from 17 to 24GHz (dB)	3.1	3.0
Input IP3@min. att. (dBm)	1	2
VGL (V)	-0.6	-0.4
ID (mA)	245	250
ID + IDL (mA)	320	360
Total DC power consumption (mW)	1280	1620

Recommended package footprint

Refer to the application note AN0017 available at <http://www.ums-gaas.com> for package footprint recommendations.

SMD mounting procedure

For the mounting process standard techniques involving solder paste and a suitable reflow process can be used. For further details, see application note AN0017.

Recommended environmental management

Refer to the application note AN0019 available at <http://www.ums-gaas.com> for environmental data on UMS package products.

Recommended ESD management

Refer to the application note AN0020 available at <http://www.ums-gaas.com> for ESD sensitivity and handling recommendations for the UMS package products.

Ordering Information

QFN 4x5 RoHS compliant package:

CHR3764-QEG/XY

Stick: XY = 20

Tape & reel: XY = 21

Information furnished is believed to be accurate and reliable. However **United Monolithic Semiconductors S.A.S.** assumes no responsibility for the consequences of use of such information nor for any infringement of patents or other rights of third parties which may result from its use. No license is granted by implication or otherwise under any patent or patent rights of **United Monolithic Semiconductors S.A.S.** Specifications mentioned in this publication are subject to change without notice. This publication supersedes and replaces all information previously supplied. **United Monolithic Semiconductors S.A.S.** products are not authorised for use as critical components in life support devices or systems without express written approval from **United Monolithic Semiconductors S.A.S.**



ООО «НИОКРсистемс» - это оперативные поставки широкого спектра электронных компонентов отечественного и импортного производства напрямую от производителей и с крупнейших мировых складов. Реализуемая нашей компанией продукция насчитывает более полумиллиона наименований.

Благодаря этому наша компания предлагает к поставке практически не ограниченный ассортимент компонентов как оптовыми, мелкооптовыми партиями, так и в розницу.

Благодаря развитой сети поставщиков, помогаем в поиске и приобретении экзотичных или снятых с производства компонентов.

Наша компания это:

- Гарантия качества поставляемой продукции
- Широкий ассортимент
- Минимальные сроки поставок
- Техническая поддержка
- Подбор комплектации
- Индивидуальный подход
- Гибкое ценообразование
- Работаем по 275 ФЗ