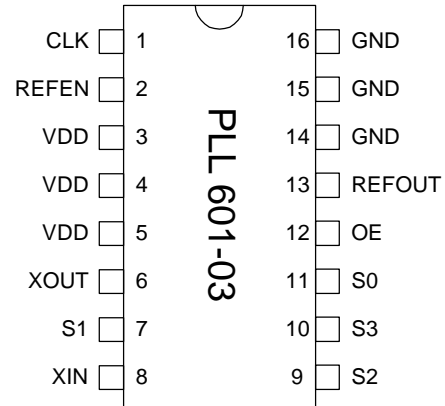


Low Phase Noise PLL Clock Multiplier

FEATURES

- Full swing CMOS outputs with 25 mA drive capability at TTL levels.
- Reference 10-30MHz crystal or clock.
- Integrated crystal load capacitor: no external load capacitor required.
- Output clocks up to 198MHz at 3.3V.
- Low phase noise (-126dBc/Hz @ 1kHz).
- Output Enable function.
- Low jitter (RMS): 6.4ps (period), 9.4ps (accum.)
- Advanced low power sub-micron CMOS process.
- 3.3V operation.
- Available in 16-Pin SOIC or TSSOP.

PIN CONFIGURATION



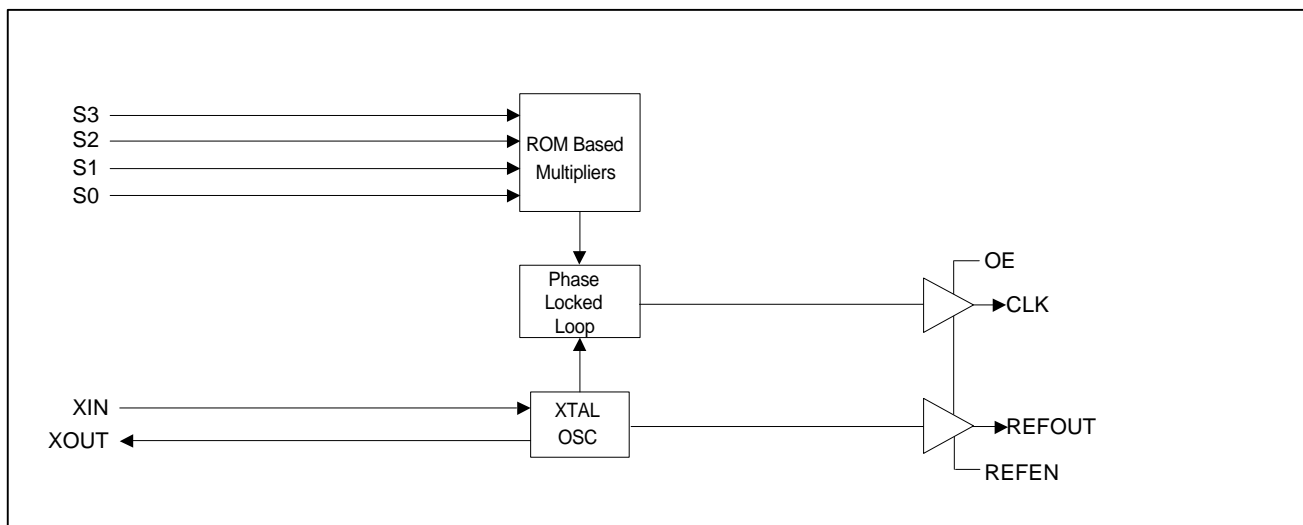
DESCRIPTIONS

The PLL601-03 is a low cost, high performance and low phase noise clock synthesizer. It implements PhaseLink's proprietary analog and digital Phase Locked Loop techniques to allow the user to select the desired multiplier value. The chip accepts crystal or clock inputs ranging from 10 to 30MHz, depending on selected multiplier, and produces output clocks up to 198MHz at 3.3V.

MULTIPLIER SELECT TABLE

| S3 | S2 | S1 | S0 | Multiplier | Xtal range |
|----|----|----|----|------------------------|------------|
| 0 | 0 | 0 | 0 | Reserved | |
| 0 | 0 | 0 | 1 | 11x | 10-18MHz |
| 0 | 1 | 0 | 1 | 5x | 20-30MHz |
| 1 | 0 | 0 | 1 | Frequency Pass through | |
| 1 | 1 | 0 | 1 | 6x | 11-22MHz |

BLOCK DIAGRAM



Low Phase Noise PLL Clock Multiplier
PIN DESCRIPTIONS

| Name | Number | Type | Description |
|--------|----------|------|---|
| CLK | 1 | O | Clock output from VCO. Equals the input frequency times multiplier. |
| REFEN | 2 | I | Reference clock enable. When Low, it turns off REFOUT. |
| VDD | 3,4,5 | P | 3.3V Power Supply. |
| XIN | 8 | I | Crystal input to be connected to 10-30MHz fundamental parallel mode crystal ($C_L=15\text{pF}$). On chip load capacitors: No external capacitor required. |
| XOUT | 6 | O | Crystal Connection. |
| OE | 12 | I | Output Enable. Tri-state CLK and REFOUT when low. Has internal pull-up. |
| REFOUT | 13 | O | Buffered crystal oscillator clock output. Controlled by REFEN. |
| S0 | 11 | I | Multiplier Select Pin 0. Determines CLK output. Has internal pull-up. |
| S1 | 7 | I | Multiplier Select Pin 1. Determines CLK output. Has internal pull-up. |
| S2 | 9 | I | Multiplier Select Pin 1. Determines CLK output. Has internal pull-up. |
| S3 | 10 | I | Multiplier Select Pin 3. Determines CLK output. Has internal pull-up. |
| GND | 14,15,16 | P | Ground. |

Low Phase Noise PLL Clock Multiplier
ELECTRICAL SPECIFICATIONS
1. Absolute Maximum Ratings

| PARAMETERS | SYMBOL | MIN. | MAX. | UNITS |
|-------------------------------|----------|------|--------------|-------|
| Supply Voltage Range | V_{CC} | -0.5 | 7 | V |
| Input Voltage Range | V_I | -0.5 | $V_{CC}+0.5$ | V |
| Output Voltage Range | V_O | -0.5 | $V_{CC}+0.5$ | V |
| Soldering Temperature | | | 260 | °C |
| Storage Temperature | T_S | -65 | 150 | °C |
| Ambient Operating Temperature | | 0 | 70 | °C |

Exposure of the device under conditions beyond the limits specified by Maximum Ratings for extended periods may cause permanent damage to the device and affect product reliability. These conditions represent a stress rating only, and functional operations of the device at these or any other conditions above the operational limits noted in this specification is not implied.

2. AC Specification

| PARAMETERS | CONDITIONS | MIN. | TYP. | MAX. | UNITS |
|--|--|------|------|------|--------|
| Input Frequency | Depends on selected multiplier | 10 | | 30 | MHz |
| Output Frequency | At 3.3V | | | 160 | MHz |
| Output Rise Time | 0.8V to 2.0V with no load | | | 1.5 | ns |
| Output Fall Time | 2.0V to 0.8V with no load | | | 1.5 | ns |
| Duty Cycle | At $V_{DD}/2$ | 45 | 50 | 55 | % |
| Period jitter RMS | With capacitive decoupling between VDD and GND | | 6.4 | | ps |
| Accumulated jitter RMS | With capacitive decoupling between VDD and GND | | 9.4 | | ps |
| Phase Noise, relative to carrier, 155Mhz(x8) | 100Hz offset, 3.3V | | -103 | | dBc/Hz |
| Phase Noise, relative to carrier, 155Mhz(x8) | 1kHz offset, 3.3V | | -126 | | dBc/Hz |
| Phase Noise, relative to carrier, 155Mhz(x8) | 10kHz offset, 3.3V | | -133 | | dBc/Hz |
| Phase Noise, relative to carrier, 155Mhz(x8) | 100kHz offset, 3.3V | | -128 | | dBc/Hz |

Low Phase Noise PLL Clock Multiplier
3. DC Specification

| PARAMETERS | SYMBOL | CONDITIONS | MIN. | TYP. | MAX. | UNITS |
|-----------------------------------|-----------------|-------------------------|-------------|-------|-------------|-------|
| Operating Voltage | VDD | | 3.135 | | 3.465 | V |
| Input High Voltage | V _{IH} | | 2 | | | V |
| Input Low Voltage | V _{IL} | | | | 0.8 | V |
| Input High Voltage | V _{IH} | For XIN pin | (VDD/2) + 1 | VDD/2 | | V |
| Input Low Voltage | V _{IL} | For XIN pin | | VDD/2 | (VDD/2) – 1 | V |
| Output High Voltage | V _{OH} | I _{OH} = -25mA | 2.4 | | | V |
| Output Low Voltage | V _{OL} | I _{OL} = 25mA | | | 0.4 | V |
| Output High Voltage At CMOS Level | V _{OH} | I _{OH} = -8mA | VDD-0.4 | | | V |
| Operating Supply Current | I _{DD} | No Load | | 35 | | mA |
| Short-circuit Current | I _S | | | ±120 | | mA |
| Input Capacitance | C _{IN} | OE, Select Pins | | 5 | | pF |

4. Crystal Specifications

| PARAMETERS | SYMBOL | CONDITIONS | MIN. | TYP. | MAX. | UNITS |
|------------------------------------|-----------------------|---------------------------|------|------|------|-------|
| Crystal Resonator Frequency | F _{XIN} | Parallel Fundamental Mode | 10 | | 30 | MHz |
| Crystal Loading Capacitance Rating | C _{L (xtal)} | | | 15 | | pF |

Low Phase Noise PLL Clock Multiplier

PACKAGE INFORMATION

16 PIN Narrow SOIC, TSSOP (mm)

| Symbol | SOIC | | TSSOP | |
|--------|----------|-------|----------|------|
| | Min. | Max. | Min. | Max. |
| A | 1.35 | 1.75 | - | 1.20 |
| A1 | 0.10 | 0.25 | 0.05 | 0.15 |
| B | 0.33 | 0.51 | 0.19 | 0.30 |
| C | 0.19 | 0.25 | 0.09 | 0.20 |
| D | 9.80 | 10.00 | 4.90 | 5.10 |
| E | 3.80 | 4.00 | 4.30 | 4.50 |
| H | 5.80 | 6.20 | 6.40 BSC | |
| L | 0.40 | 1.27 | 0.45 | 0.75 |
| e | 1.27 BSC | | 0.65 BSC | |

ORDERING INFORMATION

For part ordering, please contact our Sales Department:
 47745 Fremont Blvd., Fremont, CA 94538, USA
 Tel: (510) 492-0990 Fax: (510) 492-0991

PART NUMBER
 The order number for this device is a combination of the following:
 Device number, Package type and Operating temperature range

PLL601-03 X C

PART NUMBER _____

- TEMPERATURE
 C=COMMERCIAL
 M=MILITARY
 I=INDUSTRIAL
- PACKAGE TYPE
 S=SOIC, O=TSSOP

PhaseLink Corporation, reserves the right to make changes in its products or specifications, or both at any time without notice. The information furnished by Phaselink is believed to be accurate and reliable. However, PhaseLink makes no guarantee or warranty concerning the accuracy of said information and shall not be responsible for any loss or damage of whatever nature resulting from the use of, or reliance upon this product.

LIFE SUPPORT POLICY: PhaseLink's products are not authorized for use as critical components in life support devices or systems without the express written approval of the President of PhaseLink Corporation.



ООО «НИОКРсистемс» - это оперативные поставки широкого спектра электронных компонентов отечественного и импортного производства напрямую от производителей и с крупнейших мировых складов. Реализуемая нашей компанией продукция насчитывает более полумиллиона наименований.

Благодаря этому наша компания предлагает к поставке практически не ограниченный ассортимент компонентов как оптовыми, мелкооптовыми партиями, так и в розницу.

Благодаря развитой сети поставщиков, помогаем в поиске и приобретении экзотичных или снятых с производства компонентов.

Наша компания это:

- Гарантия качества поставляемой продукции
- Широкий ассортимент
- Минимальные сроки поставок
- Техническая поддержка
- Подбор комплектации
- Индивидуальный подход
- Гибкое ценообразование
- Работаем по 275 ФЗ