

FDH/FDLL 300/A / 333



DO-35



LL-34

THE PLACEMENT OF THE EXPANSION GAP
HAS NO RELATIONSHIP TO THE LOCATION
OF THE CATHODE TERMINAL

COLOR BAND MARKING

| DEVICE | 1ST BAND | 2ND BAND |
|----------|----------|----------|
| FDLL300 | BROWN | GREEN |
| FDLL300A | BROWN | YELLOW |
| FDLL333 | BROWN | BLUE |

High Conductance Low Leakage Diode

Sourced from Process 1M. See MMBD1501/A-1505/A for characteristics.

Absolute Maximum Ratings*

TA = 25°C unless otherwise noted

| Symbol | Parameter | Value | Units |
|----------------|--------------------------------|-------------|-------|
| W_{IV} | Working Inverse Voltage | 125 | V |
| I_O | Average Rectified Current | 200 | mA |
| I_F | DC Forward Current | 500 | mA |
| i_f | Recurrent Peak Forward Current | 600 | mA |
| $i_{f(surge)}$ | Peak Forward Surge Current | | |
| | Pulse width = 1.0 second | 1.0 | A |
| | Pulse width = 1.0 microsecond | 4.0 | A |
| T_{stg} | Storage Temperature Range | -65 to +200 | °C |
| T_J | Operating Junction Temperature | 175 | °C |

*These ratings are limiting values above which the serviceability of any semiconductor device may be impaired.

NOTES:

- 1) These ratings are based on a maximum junction temperature of 200 degrees C.
- 2) These are steady state limits. The factory should be consulted on applications involving pulsed or low duty cycle operations.

Thermal Characteristics

TA = 25°C unless otherwise noted

| Symbol | Characteristic | Max | Units |
|-----------------|---|----------------------|-------|
| | | FDH/FDLL 300/A / 333 | |
| P_D | Total Device Dissipation Derate above 25°C | 500 | mW |
| | | 3.33 | mW/°C |
| $R_{\theta JA}$ | Thermal Resistance, Junction to Ambient | 300 | °C/W |

High Conductance Low Leakage Diode

(continued)

Electrical Characteristics

T_A = 25°C unless otherwise noted

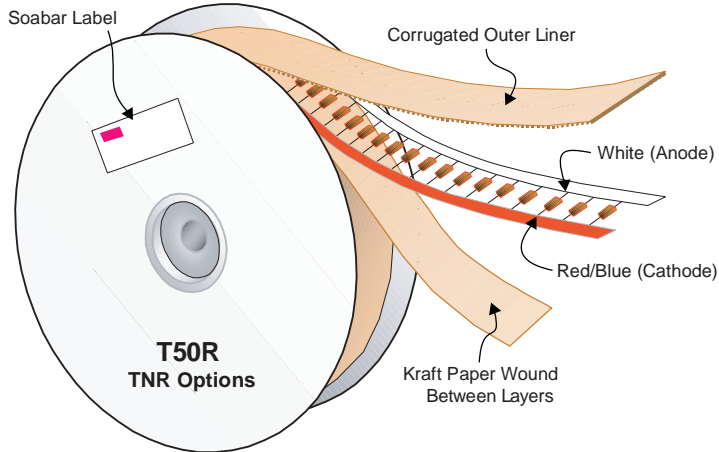
| Symbol | Parameter | Test Conditions | Min | Max | Units |
|----------------|-------------------|--|--|--|---|
| B _V | Breakdown Voltage | I _R = 100 μA | 150 | | V |
| I _R | Reverse Current | FDH/FDLL 300/A FDH/FDLL 333 | V _R = 125 V V _R = 125 V, T _A = 150°C V _R = 125 V V _R = 125 V, T _A = 100°C | 1.0 3.0 3.0 500 | nA μA nA nA |
| V _F | Forward Voltage | FDH/FDLL 300/A FDH/FDLL 300 FDH/FDLL 300A FDH/FDLL 300/A FDH/FDLL 300 FDH/FDLL 300A FDH/FDLL 300/A FDH/FDLL 300/A FDH/FDLL 300/A FDH/FDLL 333 | I _F = 1.0 mA I _F = 5.0 mA I _F = 5.0 mA I _F = 10 mA I _F = 50 mA I _F = 50 mA I _F = 100 mA I _F = 200 mA I _F = 50 mA I _F = 100 mA I _F = 150 mA I _F = 200 mA I _F = 250 mA I _F = 300 mA | 680 750 760 800 880 890 920 1.0 800 830 860 0.87 0.88 0.9 | mV mV mV mV mV mV mV V mV mV mV V V V V |
| C _O | Diode Capacitance | V _R = 0, f = 1.0 MHz | | 6.0 | pF |

FDH300/A / FDLL300/A / FDH333 / FDLL333

DO-35 Tape and Reel Data



DO-35 Packaging Configuration: Figure 1.0



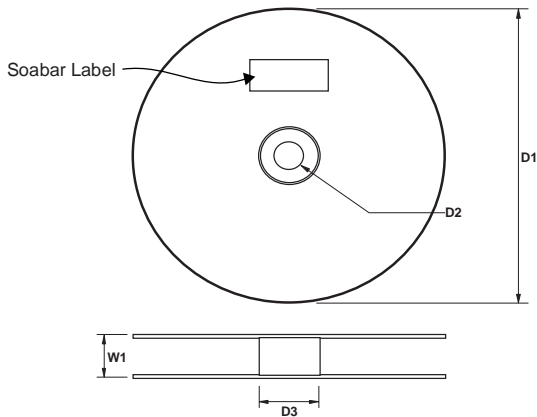
DO-35 Packaging Information Table: Figure 2.0

| DO-35 Packaging Information | | | |
|-----------------------------|------------|-------------|-------------------------|
| Packaging Option | T50R | T50A | Standard (no flow code) |
| Packaging type | TNR | Ammo | Bag |
| Qty per Reel/Tube/Bag | 10,000 | 5,000 | 500 |
| Reel Size (inch diameter) | 13 | - | - |
| Inside Tape Spacing (mm) | 52 | 52 | - |
| Int Box Dimension (mm) | 254x79x794 | 406x267x184 | 279x133x108 |
| Max qty per Box | 30,000 | 50,000 | 5,000 |
| Weight per unit (gm) | 0.137 | 0.137 | 0.137 |
| Weight per Reel/Ammo (kg) | 2.23 | 0.800 | - |
| Note/Comments | | | Bulk |

Soabar Label sample

| | | | |
|--|---------|----------|------------|
| FAIRCHILD SEMICONDUCTOR | | P.O. No. | |
| TYPE | IN5225A | MARK | BLK-BRN |
| REV | A2 | PART No. | |
| PKG | | EC No. | |
| QTY | 10,000 | M.O. No. | OX5046F035 |
| Q.C. | | DATE | D9903 |
| MFD. UNDER US PAT 3,025,589 & OTHER US PATS & APPLICATIONS | | | |

DO-35 Reel Dimensions: Figure 3.0



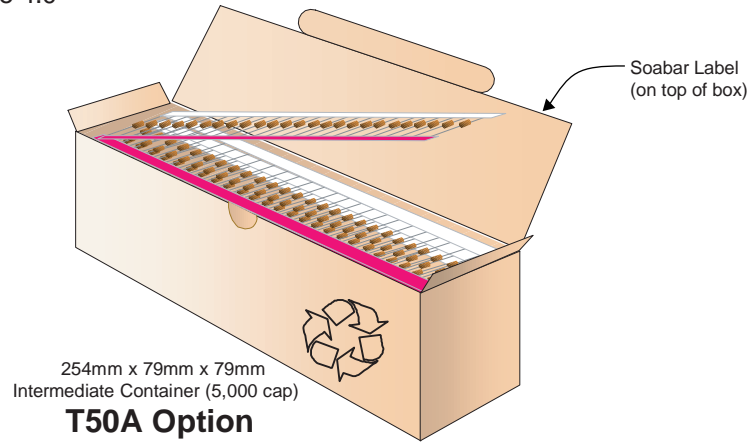
REEL DIMENSIONS

| ITEM DESCRIPTION | SYMBOL | MINIMUM | MAXIMUM |
|--------------------------------|--------|---------|---------|
| Reel Diameter | D1 | 10.375 | 10.625 |
| Arbor Hole Diameter (Standard) | D2 | 1.245 | 1.255 |
| Core Diameter | D3 | 3.190 | 3.310 |
| Flange to Flange Inner Width | W1 | | 3.400 |

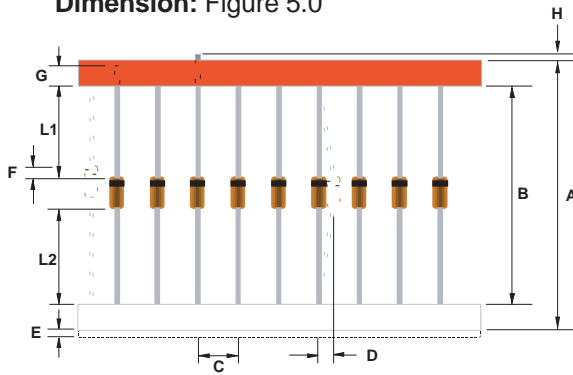
Note: All Dimensions are in inches

DO-35 Tape and Ammo Data, continued

DO-35 Ammo Packing Configuration: Figure 4.0



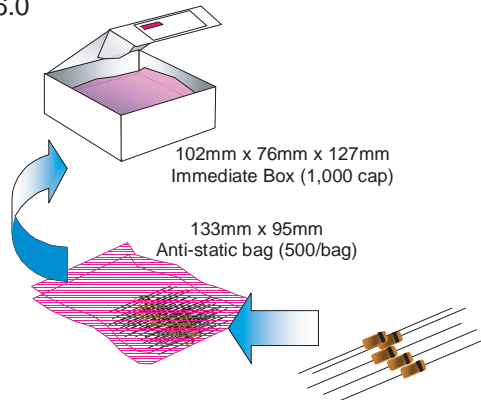
DO-35 Taping Dimension: Figure 5.0



TAPING DIMENSIONS

| | INCH | MM | MILS | NOTES |
|-------|----------------------------|--------------------------|-------------------------|------------------------------|
| A | 2.520 +0.066/ -0.027 | 64.00 +1.69/ -0.69 | 2519 +66.5/ -27.0 | Overall width |
| B | 2.047±0.027 | 52 ±0.69 | 2047±27 | Inside Tape Spacing |
| C | 0.200 ±0.0157 | 5.08 ±0.40 | 200 ±15.7 | Component Pitch |
| D | 0.047(max) | 1.2(max) | 47(max) | Component Misalignment |
| E | 0.022(max) | 0.55(max) | 22(max) | Tape Mismatch |
| F | 0.027(max) | ±0.69 | ±27 | Units in line w/ one another |
| G | 0.126(min) | 3.2(min) | 126(min) | Lead amount between tapes |
| H | 0 | 0 | 0 | Lead amount beyond tapes |
| L1-L2 | ±0.027 | ±0.69 | ±27 | Delta between two leads |

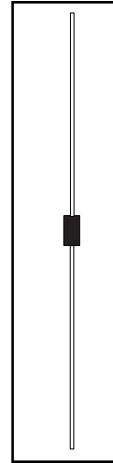
DO-35 Bulk Packing Configuration: Figure 6.0



DO-35 Package Dimensions



DO-35 (FS PKG Code D2)

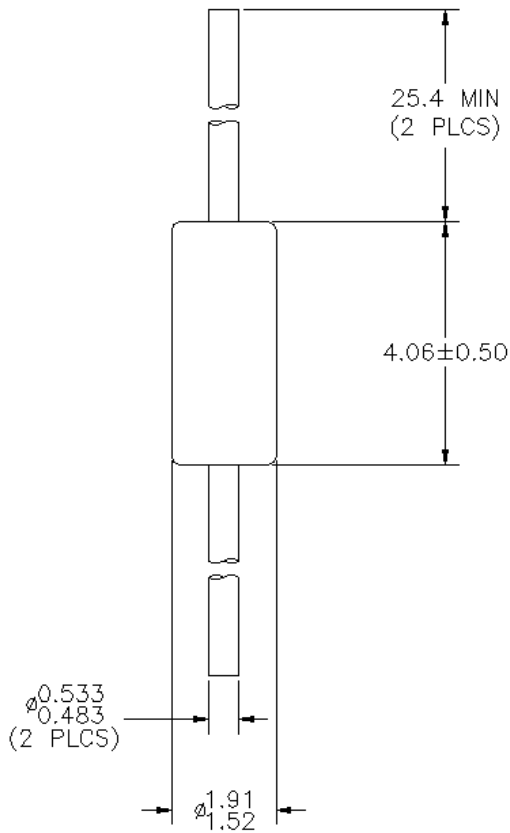


1:1

Scale 1:1 on letter size paper

Dimensions shown below are in millimeters

Part Weight per unit (gram): 0.137



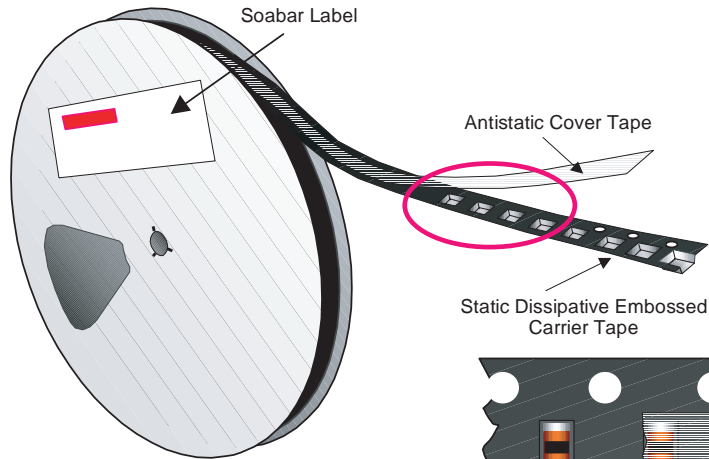
NOTES: UNLESS OTHERWISE SPECIFIED

- A) THIS PACKAGE CONFORMS TO JEDEC DO-204, VAR. AH, ISSUE B, DATED JANUARY 20, 1976.
- B) HERMITICALLY SEALED GLASS PACKAGE

LL-34 Tape and Reel Data



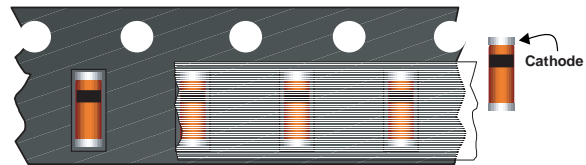
LL-34 Packaging Configuration: Figure 1.0



Packaging Description:

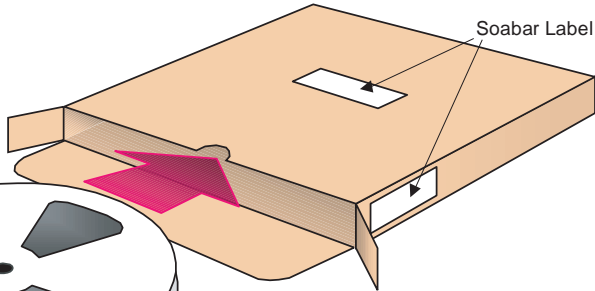
LL-34 parts are shipped in tape. The carrier tape is made from a dissipative (carbon filled) polycarbonate resin. The cover tape is a multilayer film (Heat Activated Adhesive in nature) primarily composed of polyester film, adhesive layer, sealant, and anti-static sprayed agent. These reeled parts in standard option are shipped with 2,500 units per 7" or 178cm diameter reel. The reels are white in color and is made of recyclable chipboard. Other option comes in 10,000 units per 13" or 330cm diameter reel. This and some other options are described in the Packaging Information table.

These full reels are individually labeled and placed inside a bleach box (illustrated in figure 1.0) made of recyclable corrugated paper. One bleach box contains six reels maximum. These bleach boxes are placed inside a labeled shipping box which comes in different sizes depending on the number of reels shipped.



LL-34 Unit Orientation

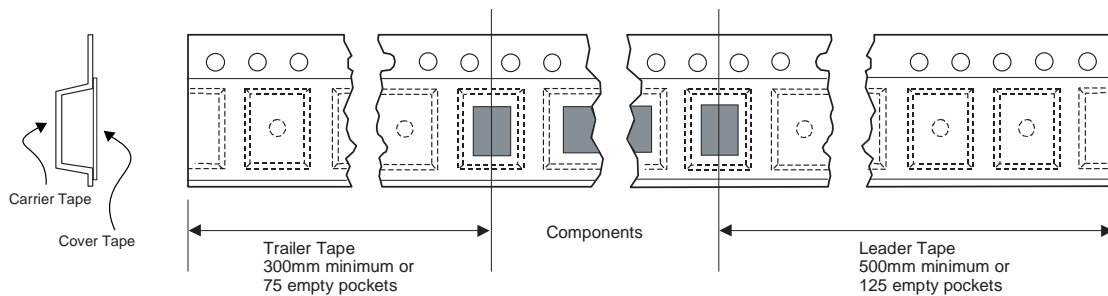
| LL-34 Packaging Information | |
|-----------------------------|-------------------------|
| Packaging Option | Standard (no flow code) |
| Packaging type | TNR |
| Qty per Reel/Tube/Bag | 2,500/1,000 (bulk) |
| Reel Size | 7" Dia |
| Box Dimension (mm) | 190x190x90 |
| Max qty per Box | 15,000 |
| Weight per unit (gm) | 0.030 |
| Weight per Reel (kg) | 0.150 |
| Note/Comments | |



Soabar Label sample

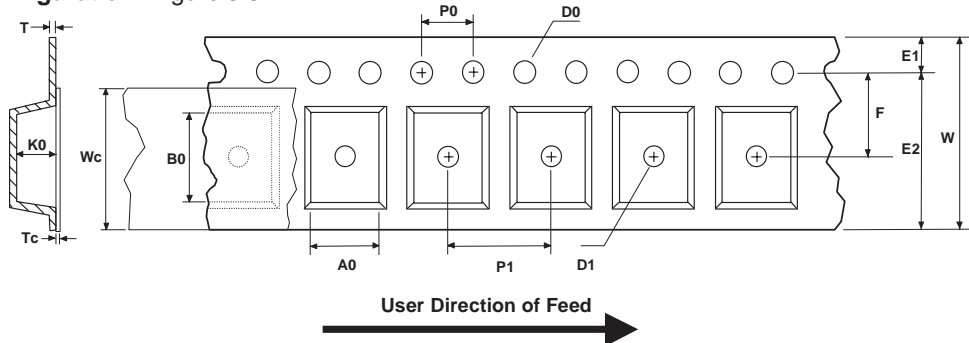
| | | | |
|--|----------|----------|------------|
| FAIRCHILD SEMICONDUCTOR | | P.O. No. | |
| TYPE | FDLL4148 | MARK | BLK-BRN |
| REV | A2 | PART No. | |
| PKG | | EC No. | |
| QTY | 2,500 | M.O. No. | OX5046F035 |
| Q.C. | | DATE | D9903 |
| MFD. UNDER US PAT 3,025,589 & OTHER US PATS & APPLICATIONS | | | |

LL-34 Tape Leader and Trailer Configuration: Figure 2.0



LL-34 Tape and Reel Data, continued

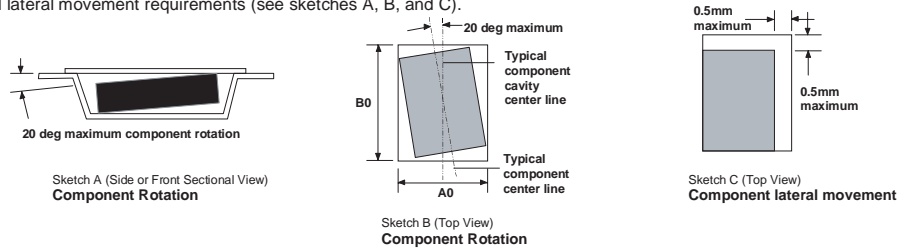
LL-34 Embossed Carrier Tape Configuration: Figure 3.0



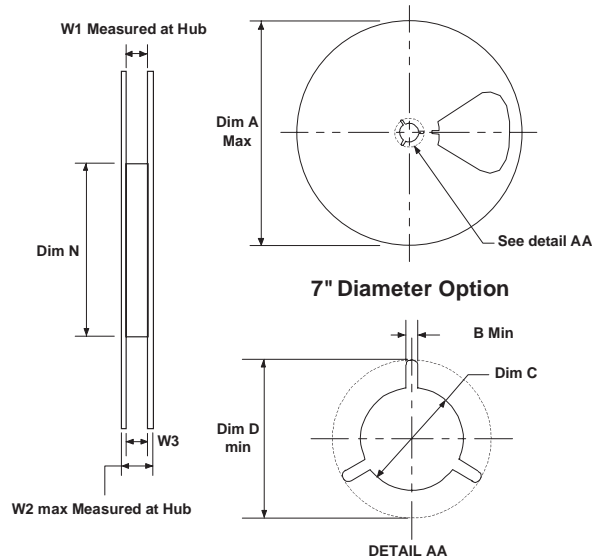
Dimensions are in millimeter

| Pkg type | A0 | B0 | W | D0 | D1 | E1 | E2 | F | P1 | P0 | K0 | T | Wc | Tc |
|----------------|----------------|----------------|---------------|----------------|----------------|-----------------|-------------|-----------------|---------------|-----------------|----------------|----------------|---------------|-------------|
| LL-34 (8mm) | 1.7 +/-0.10 | 3.7 +/-0.10 | 8.0 +/-0.3 | 1.5 +/-0.10 | 1.1 +/-0.10 | 1.75 +/-0.10 | 6.25 min | 3.50 +/-0.05 | 4.0 +/-0.1 | 4.05 +/-0.05 | 1.7 +/-0.10 | 0.3 +/-0.05 | 5.5 +/-0.2 | 0.10 max |

Notes: A0, B0, and K0 dimensions are determined with respect to the EIA/Jedec RS-481 rotational and lateral movement requirements (see sketches A, B, and C).



LL-34 Carton Reel Configuration: Figure 4.0



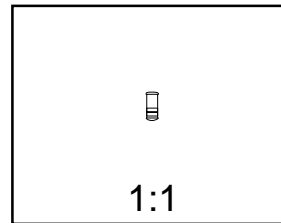
Dimensions are in inches and millimeters

| Tape Size | Reel Option | Dim A | Dim B | Dim C | Dim D | Dim N | Dim W1 | Dim W2 | Dim W3 (LSL-USL) |
|-----------|-------------|--------------|--------------|-----------------------------------|---------------|-------------|-----------------------------------|---------------|-----------------------------|
| 8mm | 7" Dia | 7.00 178 | 0.059 1.5 | 512 +0.020/-0.008 13 +0.5/-0.2 | 0.795 20.2 | 2.165 55 | 0.331 +0.059/-0.000 8.4 +1.5/0 | 0.567 14.4 | 0.311 - 0.429 7.9 - 10.9 |
| 8mm | 13" Dia | 13.00 330 | 0.059 1.5 | 512 +0.020/-0.008 13 +0.5/-0.2 | 0.795 20.2 | 4.00 100 | 0.331 +0.059/-0.000 8.4 +1.5/0 | 0.567 14.4 | 0.311 - 0.429 7.9 - 10.9 |

LL-34 Package Dimensions



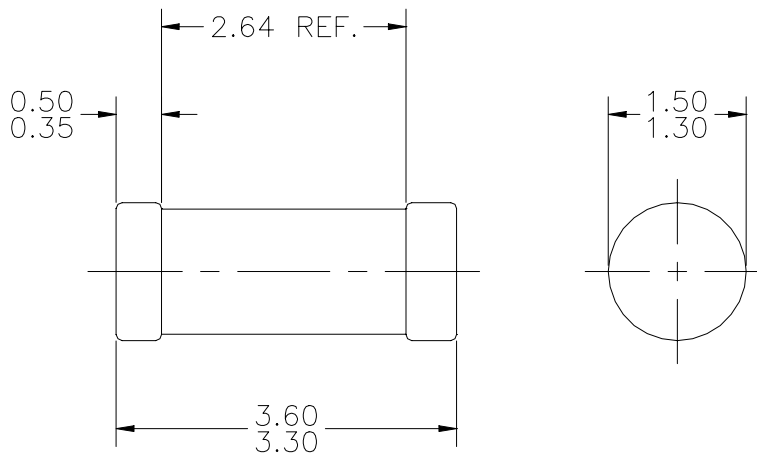
LL-34 (FS PKG Code D3)



Scale 1:1 on letter size paper

Dimensions shown below are in millimeters

Part Weight per unit (gram): 0.030



NOTE: UNLESS OTHERWISE SPECIFIED

A) THIS PACKAGE CONFORMS TO JEDEC DO-213, VAR AC, ISSUE D, DATED SEPTEMBER 1988.

B) ALL DIMENSIONS ARE IN MILLIMETERS.

TRADEMARKS

The following are registered and unregistered trademarks Fairchild Semiconductor owns or is authorized to use and is not intended to be an exhaustive list of all such trademarks.

| | | | |
|----------------------|---------------------|---------------------|------------|
| ACEx™ | FASTr™ | PowerTrench® | SyncFET™ |
| Bottomless™ | GlobalOptoisolator™ | QFET™ | TinyLogic™ |
| CoolFET™ | GTO™ | QS™ | UHC™ |
| CROSSVOLT™ | HiSeC™ | QT Optoelectronics™ | VCX™ |
| DOME™ | ISOPANAR™ | Quiet Series™ | |
| E ² CMOS™ | MICROWIRE™ | SILENT SWITCHER® | |
| EnSigna™ | OPTOLOGIC™ | SMART START™ | |
| FACT™ | OPTOPLANAR™ | SuperSOT™-3 | |
| FACT Quiet Series™ | PACMAN™ | SuperSOT™-6 | |
| FAST® | POP™ | SuperSOT™-8 | |

DISCLAIMER

FAIRCHILD SEMICONDUCTOR RESERVES THE RIGHT TO MAKE CHANGES WITHOUT FURTHER NOTICE TO ANY PRODUCTS HEREIN TO IMPROVE RELIABILITY, FUNCTION OR DESIGN. FAIRCHILD DOES NOT ASSUME ANY LIABILITY ARISING OUT OF THE APPLICATION OR USE OF ANY PRODUCT OR CIRCUIT DESCRIBED HEREIN; NEITHER DOES IT CONVEY ANY LICENSE UNDER ITS PATENT RIGHTS, NOR THE RIGHTS OF OTHERS.

LIFE SUPPORT POLICY

FAIRCHILD'S PRODUCTS ARE NOT AUTHORIZED FOR USE AS CRITICAL COMPONENTS IN LIFE SUPPORT DEVICES OR SYSTEMS WITHOUT THE EXPRESS WRITTEN APPROVAL OF FAIRCHILD SEMICONDUCTOR CORPORATION. As used herein:

1. Life support devices or systems are devices or systems which, (a) are intended for surgical implant into the body, or (b) support or sustain life, or (c) whose failure to perform when properly used in accordance with instructions for use provided in the labeling, can be reasonably expected to result in significant injury to the user.
2. A critical component is any component of a life support device or system whose failure to perform can be reasonably expected to cause the failure of the life support device or system, or to affect its safety or effectiveness.

PRODUCT STATUS DEFINITIONS

Definition of Terms

| Datasheet Identification | Product Status | Definition |
|--------------------------|------------------------|---|
| Advance Information | Formative or In Design | This datasheet contains the design specifications for product development. Specifications may change in any manner without notice. |
| Preliminary | First Production | This datasheet contains preliminary data, and supplementary data will be published at a later date. Fairchild Semiconductor reserves the right to make changes at any time without notice in order to improve design. |
| No Identification Needed | Full Production | This datasheet contains final specifications. Fairchild Semiconductor reserves the right to make changes at any time without notice in order to improve design. |
| Obsolete | Not In Production | This datasheet contains specifications on a product that has been discontinued by Fairchild semiconductor. The datasheet is printed for reference information only. |



ООО «НИОКРсистемс» - это оперативные поставки широкого спектра электронных компонентов отечественного и импортного производства напрямую от производителей и с крупнейших мировых складов. Реализуемая нашей компанией продукция насчитывает более полумиллиона наименований.

Благодаря этому наша компания предлагает к поставке практически не ограниченный ассортимент компонентов как оптовыми, мелкооптовыми партиями, так и в розницу.

Благодаря развитой сети поставщиков, помогаем в поиске и приобретении экзотичных или снятых с производства компонентов.

Наша компания это:

- Гарантия качества поставляемой продукции
- Широкий ассортимент
- Минимальные сроки поставок
- Техническая поддержка
- Подбор комплектации
- Индивидуальный подход
- Гибкое ценообразование
- Работаем по 275 ФЗ